

NEMO

Canna Nuda Metallo ceiling

PIERO CASTIGLIONI & ROBERTO MENGHI

Canna Nuda Metallo is a suspension and ceiling lamp. Ceiling lamp adjustable. Chromed or white finishing.



NEMO

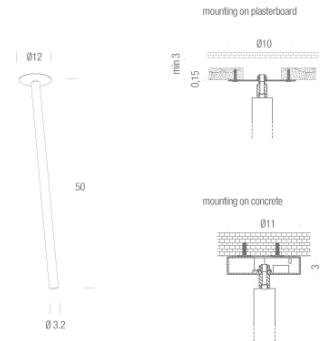
Canna Nuda Metallo ceiling

PIERO CASTIGLIONI & ROBERTO MENGHI

LED

Lamping

Source	POWER LED
Total power	6,2W
Emission	Downlight
Tension	110V / 240V
Color temperature	3000K
Luminous flux	920lm
Typ cri	83
Energy class	A+
Dimensions	~3,2cm 120x120x500
Materials	Brass
Typ cri	83



Codes

CAM LHH 71
CAM LWW 71

Structure



Diffuseur