

LINESCAPES

Nemo Studio

Famiglia di apparecchi da terra, parete e soffitto, versatili ad alto rendimento luminoso su sviluppo lineare. Corpo in estruso di alluminio e diffusore in policarbonato bianco opaco, componenti di fissaggio in alluminio stampato pressofuso ed acciaio. La versione ad incasso a parete a sbalzo viene fornita con kit per collegamento con alimentatore da installare in remoto. Finitura bianca con dettagli verniciati grigi.

Family of floor, ceiling and wall elements, efficient with an highly versatile linear luminous output. Body in aluminium extruded and opal white polycarbonate diffuser, junctions and fixing components in die-casted aluminum and steel. Horizontal cantilever wall version supplied with kit for connection with remote driver. White finishing with elements painted in grey.

Famille de luminaires (lampadaire, applique et plafonnier) polyvalents à très haut rendement lumineux avec développement linéaire. Corps en aluminium extrudé, diffuseur en polycarbonate blanc mat, parties de montage en acier et aluminium moulé. Les versions encastrables, plafond et mur, sont fournies avec un kit de connexion et alimentation (convertisseur à déporter). Finitions en blanc avec parties des éléments peintes en gris.

Vielseitige lineare Familie aus Steh-, Wand-, Pendel und Deckenleuchten mit hoher Lichtausbeute in verschiedenen Längen. Struktur aus Aluminium, Diffusor aus matt weißem Polycarbonat. Befestigungselemente aus Aluminiumdruckguss und Stahl. Wand- und Deckenversion nur in der Einbauversion lieferbar. Ausführung in weiß mit graulackierten Details.



FLOOR

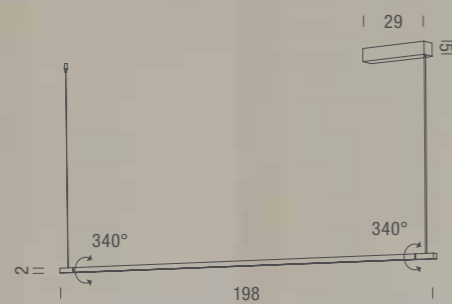
source	linear LED
emission	diffused
max power	46W
CCT	2700K
lighting output	4560lm
typ cri	80
switching	dimnable
tension	110/240V
energy class	A+

FINISHING	code	structure	spacer
white / grey	LIN LWD 21	<input type="radio"/>	<input checked="" type="radio"/>

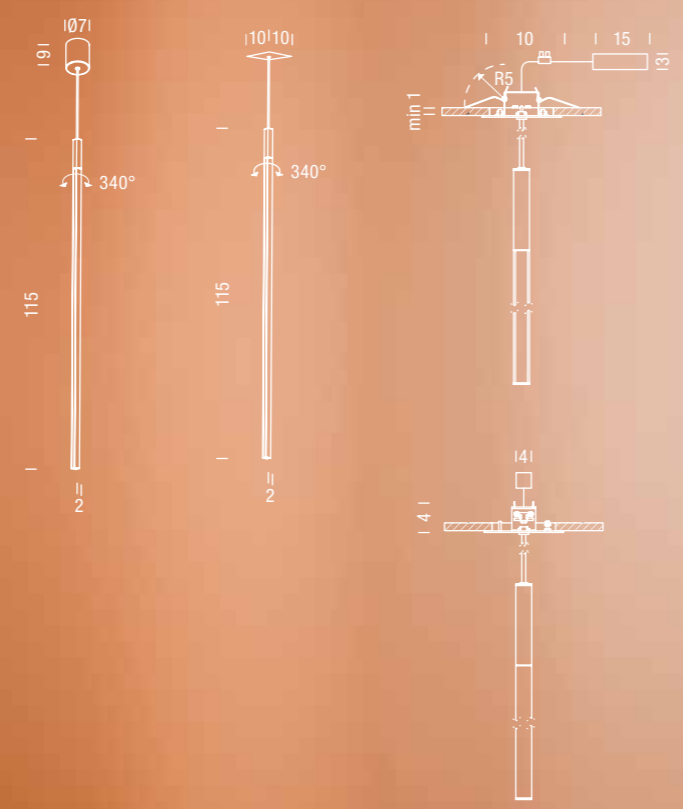


PENDANT HORIZONTAL

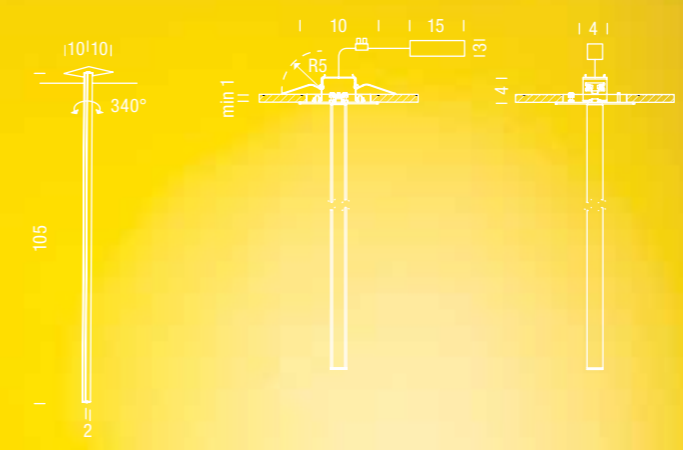
source	linear LED	
emission	diffused orientable	
max power	42W	
CCT	2700K	
lighting output	4080lm	
typ cri	80	
switching	dimnable, 1-10V, resistance, PWM	
tension	110V/240V	
energy class	A+	
note	cable lenght 2,5m orientable 340°	
FINISHING	code	structure
white	LIN LWW 54	●



LAMPING	PENDANT VERTICAL		PENDANT VERTICAL RECESSED	
source	linear LED		linear LED	
emission	diffused orientable		diffused orientable	
max power	12W		24W	
CCT	2700K		2700K	
lighting output	1200lm		2400lm	
typ cri	80		80	
switching	-		dimmable, 1-10V, resistance, PWM	
tension	110V-240V / 24V DC		110V-240V / 24V DC	
energy class	A+		A+	
note	side emission, cable length 2,5m		recessed hole Ø8x3cm, side emission, cable length 2,5m	
FINISHING	code	structure	code	structure
side emission	LIN LWW 55	●	LIN LWW 51	●

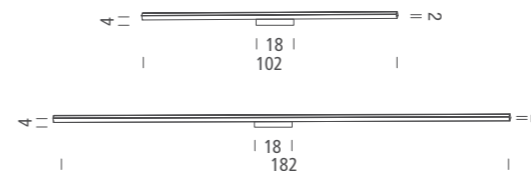


LAMPING	CEILING	
source	linear LED	
emission	diffused orientable	
max power	24W	
CCT	2700K	
lighting output	2400lm	
typ cri	80	
switching	dimmable, 1-10V, resistance, PWM	
tension	110V-240V / 24V DC	
energy class	A+	
note	recessed hole Ø8x3cm, side emission	
FINISHING	code	structure
white	LIN LWW 41	●



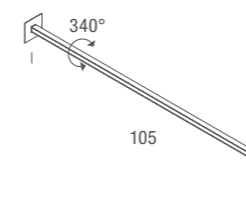
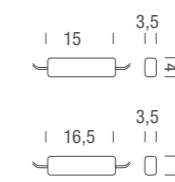
LINESCAPES PENDANT VERTICAL

LINESCAPES CEILING



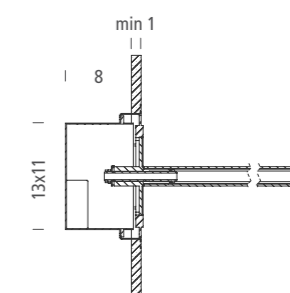
	WALL 102			WALL 182		
source	linear LED			linear LED		
emission	diffused up or down			diffused up or down		
max power	24W			42W		
CCT	2700K			2700K		
lighting output	2400lm			4320lm		
typ cri	80			80		
switching	dimmable, 1-10V, resistance, PWM			dimmable, 1-10V, resistance, PWM		
tension	110V-240V / 24V DC			110V-240V / 24V DC		
energy class	A+			A+		
note	driver not included			driver not included		
FINISHING	code	structure	spacer	code	structure	spacer
white/grey	LIN LWD 31	<input type="radio"/>	<input checked="" type="radio"/>	LIN LWD 32	<input type="radio"/>	<input checked="" type="radio"/>

ACCESSORIES		code
driver for 102 wall	driver 25W 24V dimmable 1-10V PWM	LIN ALI 32
driver for 182 wall	driver 60W 24V dimmable 1-10V PWM	LIN ALI 31



LAMPING	WALL CANTILEVERED	
source	linear LED	
emission	diffused orientable	
max power	12W	
CCT	2700K	
lighting output	1200lm	
typ cri	80	
switching	-	
tension	110V-240V / 24V DC	
energy class	A+	
note	driver not included, recessing box included, wall board for installation included	
FINISHING	code	structure
white	LIN LWW 34	<input type="radio"/>

ACCESSORIES	code
driver for recessed mounting	LIN ALI 33





LINESCAPES WALL

