

# NEMO

## K-Hole 1

Gabi Peretto

K-Hole System is aimed at satisfying the needs of lighting design planning particularly for retail spaces. The family is composed of two typologies: semi-recessed and ceiling/wall with QR111 LED or halogen sources. The semi-recessed version can be installed in all plasterboard ceiling. In the wall/ceiling version, the power supply is integrated. Products realized in matt white powder coated aluminium, with chromed supporting elements.



# NEMO

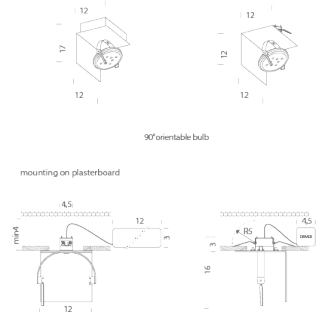
## K-Hole 1

Gabi Peretto

### HALO

#### Lamping

Source	G53, QR111
Total power	60W
Emission	Orientable
Switching	dimmable TRIAC
Tension	230V/12V AC
Ip class	A, Q
Dimensions	120x120x120
Materials	Aluminium



#### Codes

KH1 HWW 41

#### Structure



#### Diffuseur

#### Package

LxPxH (base)	15x18x16
Weight (base)	2

# NEMO

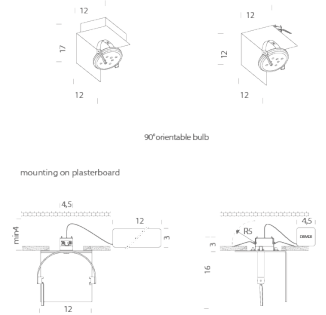
## K-Hole 1

Gabi Peretto

### LED/ HALO RECESSED

#### Lamping

Source	G53, QR111
Total power	30W LED/60W HALO
Emission	Orientable
Switching	dimnable TRIAC, according to bulb
Tension	220-240V/12V AC
Ip class	A, Q
Dimensions	120x120x160
Materials	Aluminium



#### Codes

KH1 LWW 71

#### Structure



#### Diffuseur

#### Package

LxPxH (base)	16x18x15
Weight (base)	1,5

# NEMO

## K-Hole 1

Gabi Peretto

### LED

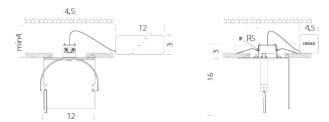
#### Lamping

Source	G53, QR111
Total power	30W
Emission	Orientable
Tension	230V/12V AC
Ip class	A, Q
Dimensions	120x120x120
Materials	Aluminium



90° orientable bulb

mounting on plasterboard



#### Codes

KH1 LWW 41

#### Structure



#### Diffuseur

#### Package

LxPxH (base)	15x18x16
Weight (base)	2