

NEMO

JESOLO

Wall and ceiling lamp, with opal blown glass diffuser. The glass twists and locks into place. Base in epoxy-coated white metal with chromed ring (Jesolo Twis/Plus), or in white polycarbonate (Jesolo C2/C2 electronic). C2 electronic available with emergency kit. LED version available for diameter 25/30cm.



NEMO

JESOLO

C2 ELECTRONIC Ø 30 FLUO

Lamping

Source	G24q-2 TC-TEL
Total power	2 x 18W
Emission	diffused
Tension	230V
Ip class	A
Materials	polycarbonate + glass

Codes

JEE FWW 42

Structure

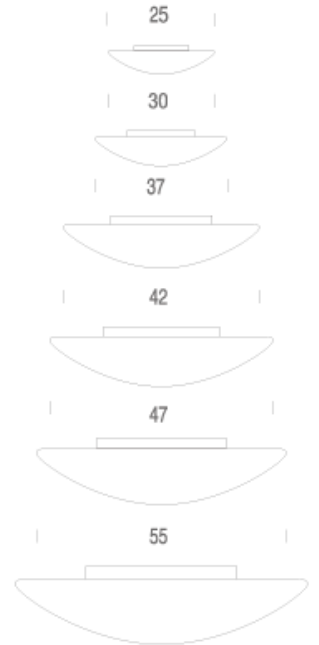


Diffuseur



Package

LxPxH (base)	40x40x20
Weight (base)	4



NEMO

JESOLO

C2 ELECTRONIC Ø 37 FLUO

Lamping

Source	G24q-2 TC-TEL
Total power	2 x 18W
Emission	diffused
Tension	230V
Ip class	A
Materials	polycarbonate + glass

Codes

JEE FWW 43

Structure

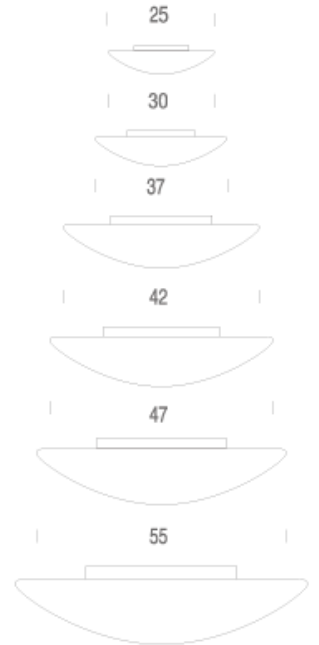


Diffuseur



Package

LxPxH (base)	50x50x20
Weight (base)	5



NEMO

JESOLO

C2 ELECTRONIC Ø 42 FLUO

Lamping

Source	G24q-2 TC-TEL
Total power	2 x 18W
Emission	diffused
Tension	230V
Ip class	A
Materials	polycarbonate + glass

Codes

JEE F8W 44

Structure

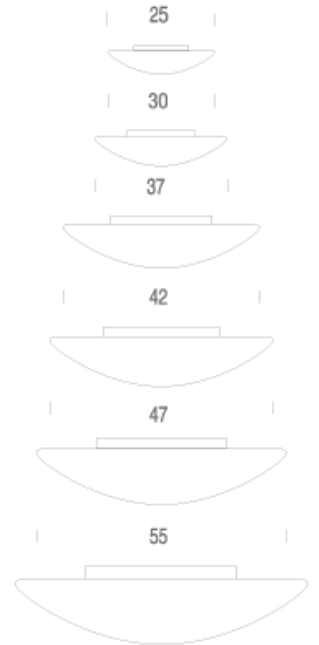


Diffuseur



Package

LxPxH (base)	54x54x34
Weight (base)	6,5



NEMO

JESOLO

C2 ELECTRONIC Ø 47 FLUO

Lamping

Source	G24q-2 TC-TEL
Total power	2 x 18W
Emission	diffused
Tension	230V
Ip class	A
Materials	polycarbonate + glass

Codes

JEE F8W 45

Structure

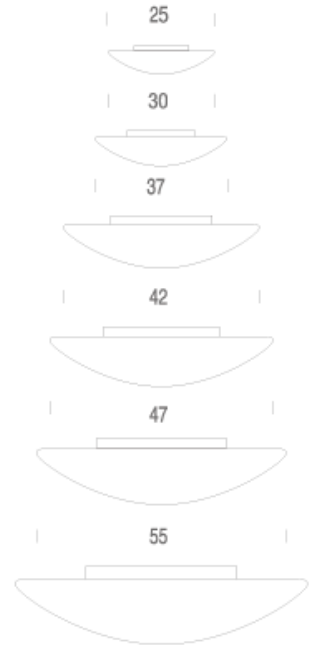


Diffuseur



Package

LxPxH (base)	54x54x34
Weight (base)	6,5



NEMO

JESOLO

C2 ELECTRONIC Ø 55 FLUO

Lamping

Source	G24q-2 TC-TEL
Total power	2 x 18W
Emission	diffused
Tension	230V
Ip class	A
Materials	polycarbonate + glass

Codes

JEE F8W 46

Structure

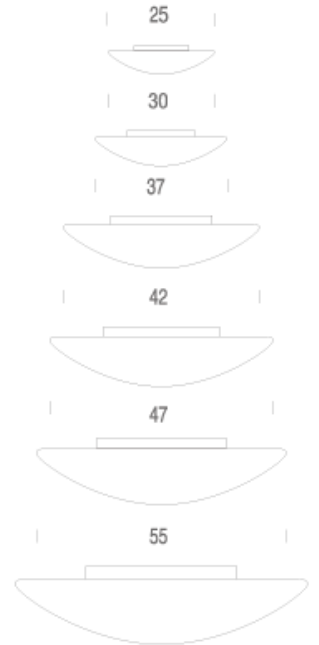


Diffuseur



Package

LxPxH (base)	54x54x20
Weight (base)	6,5



NEMO

JESOLO

C2 Ø 30 LED/HALO/FLUO

Lamping

Source	E27 A60
Total power	100W
Emission	diffused
Switching	dimnable according to bulb
Tension	230V
Ip class	A, F
Materials	polycarbonate + glass

Codes

JE2 EWW 42

Structure

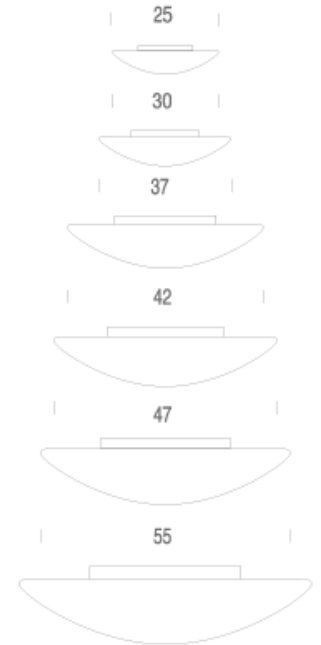


Diffuseur



Package

LxPxH (base)	40x40x21
Weight (base)	2,5



NEMO

JESOLO

C2 Ø 37 LED/HALO/FLUO

Lamping

Source	E27 A60
Total power	2 x 60W
Emission	diffused
Switching	dimnable according to bulb
Tension	230V
Ip class	A, F
Materials	polycarbonate + glass

Codes

JE2 EWW 43

Structure

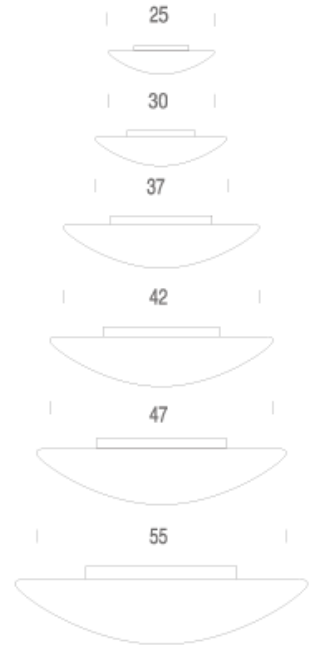


Diffuseur



Package

LxPxH (base)	54x54x35
Weight (base)	4



NEMO

JESOLO

C2 Ø 42 LED/HALO/FLUO

Lamping

Source	E27 A60
Total power	2 x 60W
Emission	diffused
Switching	dimnable according to bulb
Tension	230V
Ip class	A, F
Materials	polycarbonate + glass

Codes

JE2 EWW 44

Structure

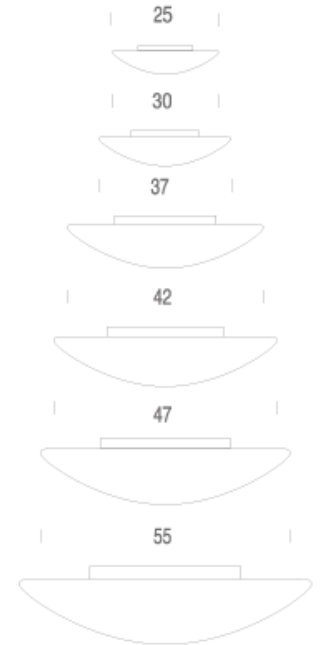


Diffuseur



Package

LxPxH (base)	47x47x18
Weight (base)	4,9



NEMO

JESOLO

C2 Ø 47 LED/HALO/FLUO

Lamping

Source	E27 A60
Total power	2 x 75W
Emission	diffused
Switching	dimnable according to bulb
Tension	230V
Ip class	A, F
Materials	polycarbonate + glass

Codes

JE2 EWW 45

Structure

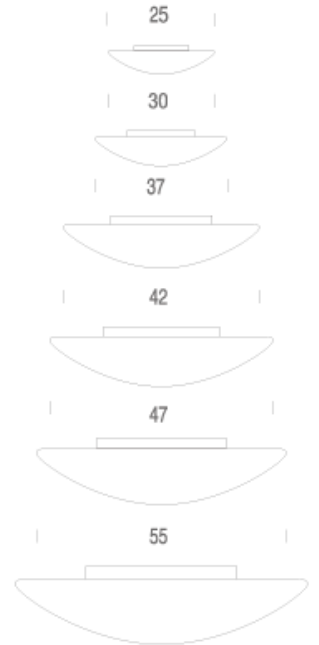


Diffuseur



Package

LxPxH (base)	50x50x20
Weight (base)	5



NEMO

JESOLO

C2 Ø 55 LED/HALO/FLUO

Lamping

Source	E27 A60
Total power	2 x 75W
Emission	diffused
Switching	dimnable according to bulb
Tension	230V
Ip class	A, F
Materials	polycarbonate + glass

Codes

JE2 EWW 46

Structure

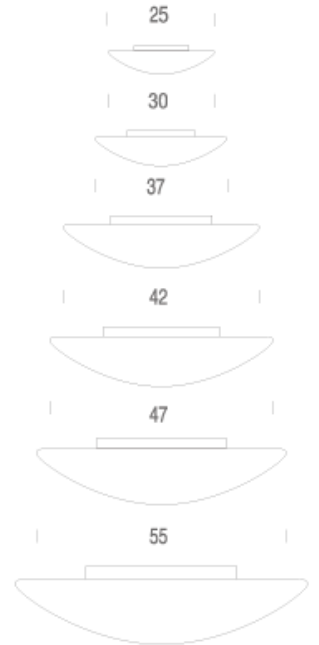


Diffuseur



Package

LxPxH (base)	60x60x35
Weight (base)	7



NEMO

JESOLO

Ø 37 LED

Lamping

Source	LED board
Total power	20W
Emission	diffused
Tension	230V
Color temperature	2700K
Luminous flux	2000lm
Typ cri	92
Energy class	A+
Ip class	A
Materials	metal + glass
Typ cri	92

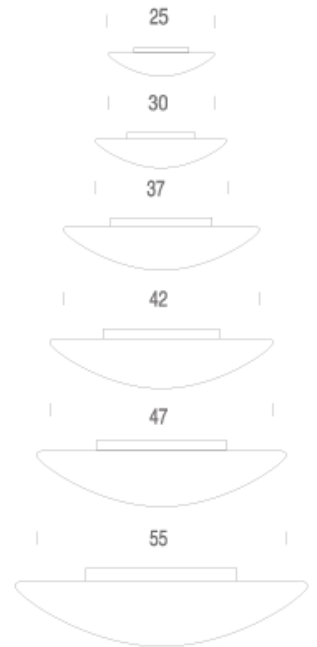
Codes

JET LHW 44

Structure



Diffuseur



NEMO

JESOLO

Ø 30 LED

Lamping

Source	LED board
Total power	10W
Emission	diffused
Tension	230V
Color temperature	2700K
Luminous flux	1000lm
Typ cri	92
Energy class	A+
Ip class	A
Materials	metal + glass
Typ cri	92

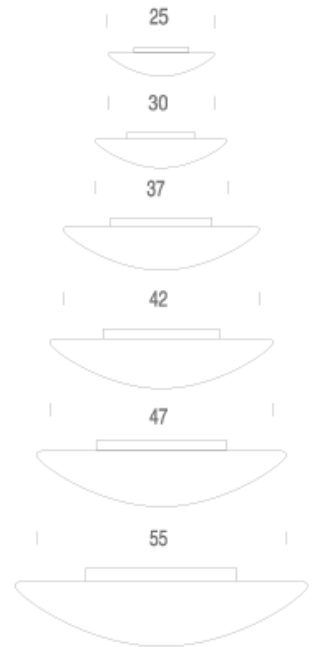
Codes

JET LHW 43

Structure



Diffuseur



NEMO

JESOLO

PLUS Ø 25 FLUO

Lamping

Source	GX24q-2 TC-TEL
Total power	18W
Emission	diffused
Tension	230V
Ip class	A
Materials	metal + glass

Codes

JET PHW 42

Structure

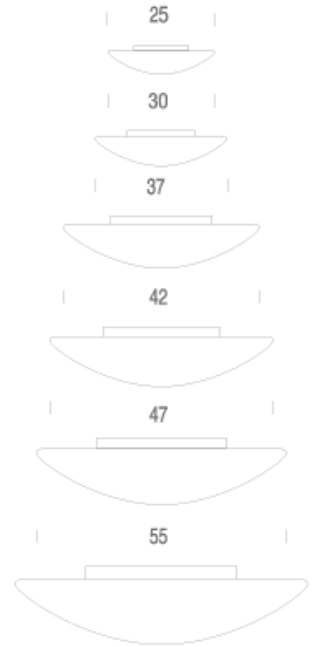


Diffuseur



Package

LxPxH (base)	33x33x20
Weight (base)	2,5



NEMO

JESOLO

PLUS Ø 30 FLUO

Lamping

Source	GX24q-2 TC-TEL
Total power	18W
Emission	diffused
Tension	230V
Ip class	A
Materials	metal + glass

Codes

JET PHW 43

Structure

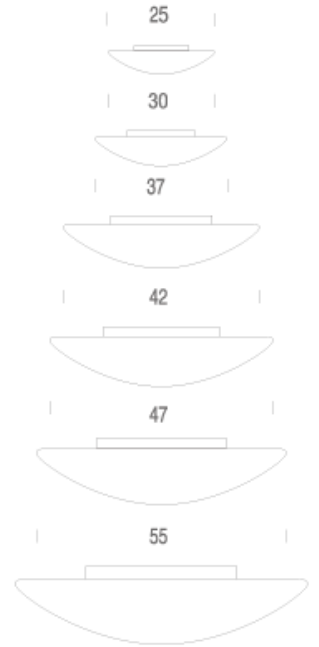


Diffuseur



Package

LxPxH (base)	38x38x21
Weight (base)	2,5



NEMO

JESOLO

PLUS Ø 37 FLUO

Lamping

Source	G24q-3 TC-TEL
Total power	2 x 26W
Emission	diffused
Tension	230V
Ip class	A
Materials	metal + glass

Codes

JET PHW 44

Structure

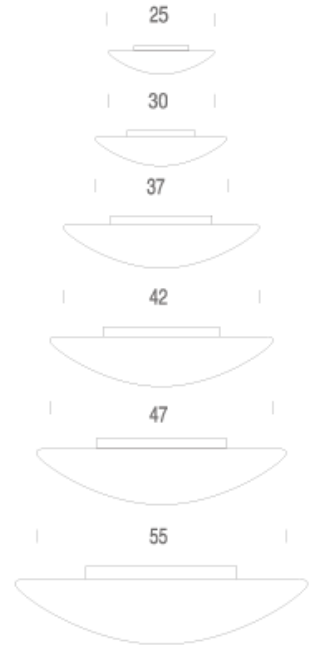


Diffuseur



Package

LxPxH (base)	46x46x27
Weight (base)	3,5



NEMO

JESOLO

PLUS Ø 42 FLUO

Lamping

Source	G24q-3 TC-TEL
Total power	2 x 26W
Emission	diffused
Tension	230V
Ip class	A
Materials	metal + glass

Codes

JET PHW 45

Structure

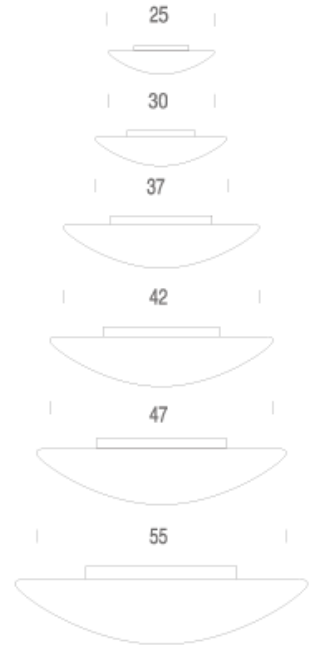


Diffuseur



Package

LxPxH (base)	51x51x27
Weight (base)	5,7



NEMO

JESOLO

PLUS Ø 47 FLUO

Lamping

Source	G24q-3 TC-TEL
Total power	2 x 26W
Emission	diffused
Tension	230V
Ip class	A
Materials	metal + glass

Codes

JET PHW 47

Structure

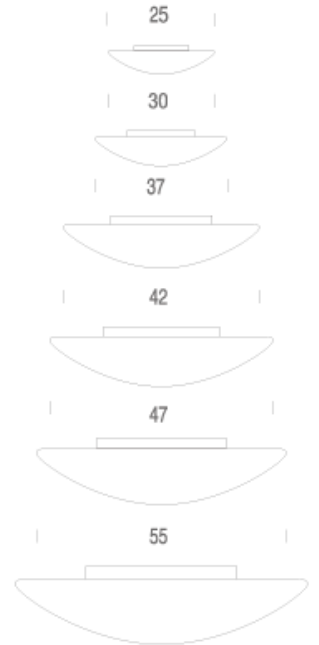


Diffuseur



Package

LxPxH (base)	55x55x27
Weight (base)	7,4



NEMO

JESOLO

PLUS Ø 55 FLUO

Lamping

Source	G24q-3 TC-TEL
Total power	2 x 26W
Emission	diffused
Tension	230V
Ip class	A
Materials	metal + glass

Codes

JET PHW 49

Structure

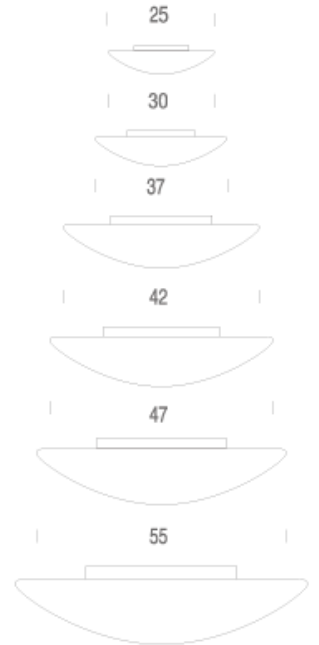


Diffuseur



Package

LxPxH (base)	63x63x29
Weight (base)	9,4



NEMO

JESOLO

TWIST Ø 25 FLUO/LED/HALO

Lamping

Source	E27 A60
Total power	60 / 11W
Emission	diffused
Switching	dimnable according to bulb
Tension	230V
Ip class	A
Materials	metal + glass

Codes

JET EHW 42

Structure

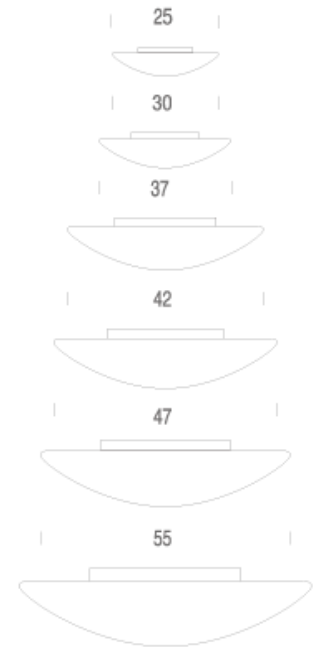


Diffuseur



Package

LxPxH (base)	33x33x20
Weight (base)	1,7



NEMO

JESOLO

TWIST Ø 30 FLUO/LED/HALO

Lamping

Source	E27 A60
Total power	100 / 15W
Emission	diffused
Switching	dimnable according to bulb
Tension	230V
Ip class	A
Materials	metal + glass

Codes

JET EHW 43

Structure

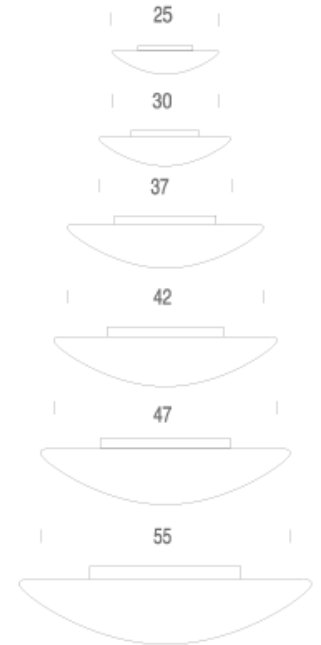


Diffuseur



Package

LxPxH (base)	38x38x21
Weight (base)	2,4



NEMO

JESOLO

TWIST Ø 37 FLUO/LED/HALO

Lamping

Source	E27 A60
Total power	2 x 60 / 20W
Emission	diffused
Switching	dimnable according to bulb
Tension	230V
Ip class	A
Materials	metal + glass

Codes

JET EHW 44

Structure

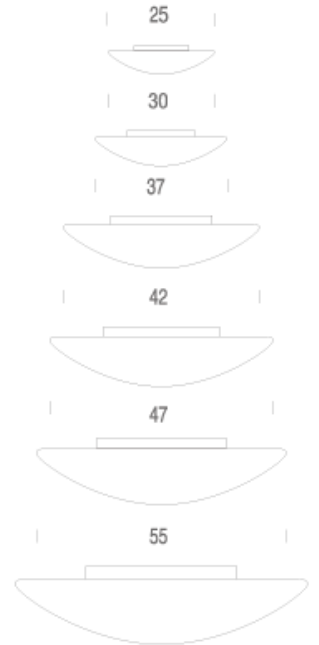


Diffuseur



Package

LxPxH (base)	46x46x27
Weight (base)	3,7



NEMO

JESOLO

TWIST Ø 42 FLUO/LED/HALO

Lamping

Source	E27 A60
Total power	2 x 60 / 20W
Emission	diffused
Switching	dimnable according to bulb
Tension	230V
Ip class	A
Materials	metal + glass

Codes

JET EHW 45

Structure

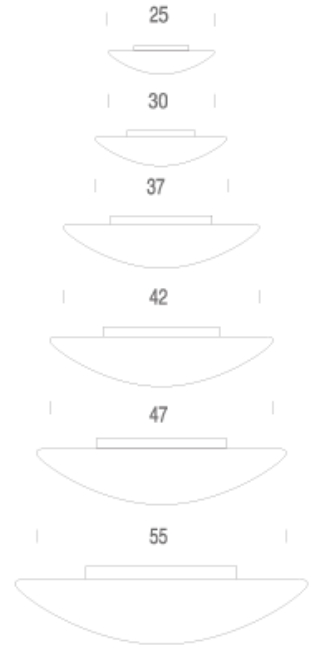


Diffuseur



Package

LxPxH (base)	51x51x27
Weight (base)	5,5



NEMO

JESOLO

TWIST Ø 47 FLUO/LED/HALO 2x75/20W

Lamping

Source	E27 A60
Total power	2 x 75 / 20W
Emission	diffused
Switching	dimnable according to bulb
Tension	230V
Ip class	A
Materials	metal + glass

Codes

JET EHW 47

Structure

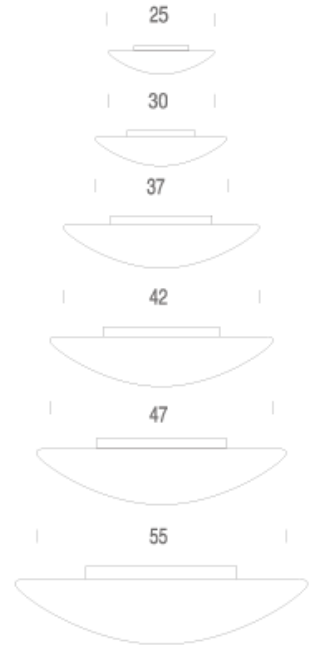


Diffuseur



Package

LxPxH (base)	55x55x27
Weight (base)	7



NEMO

JESOLO

TWIST Ø 47 FLUO/LED/HALO 3x60/20W

Lamping

Source	E27 A60
Total power	3 x 60 / 20W
Emission	diffused
Switching	dimnable according to bulb
Tension	230V
Ip class	A
Materials	metal + glass

Codes

JET EHW 48

Structure

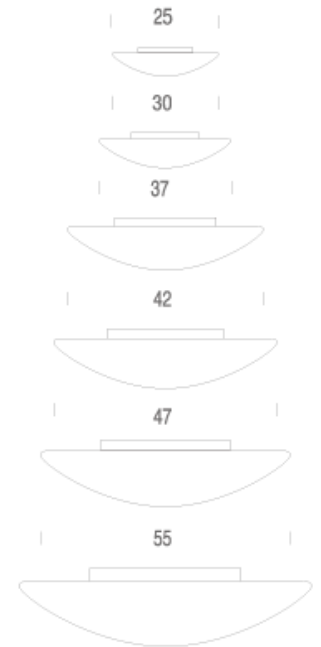


Diffuseur



Package

LxPxH (base)	55x55x27
Weight (base)	7



NEMO

JESOLO

TWIST Ø 55 FLUO/LED/HALO

Lamping

Source	E27 A60
Total power	3 x 60 / 20W
Emission	diffused
Switching	dimnable according to bulb
Tension	230V
Ip class	A
Materials	metal + glass

Codes

JET EHW 49

Structure



Diffuseur



Package

LxPxH (base)	63x63x29
Weight (base)	8,4

