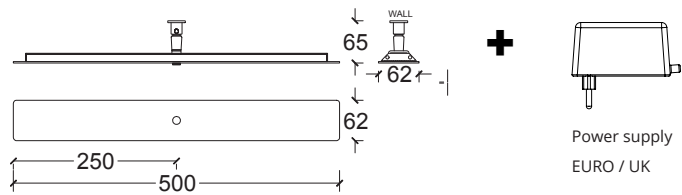




ANOUR | DIVAR

Specifications

ANOUR | DIVAR
50 cm



SERIES
Divar

PRODUCT
50

LEAD TIME
4-6 weeks

WEIGHT
1,2 kg*

PACKAGE WEIGHT
1,8 kg*

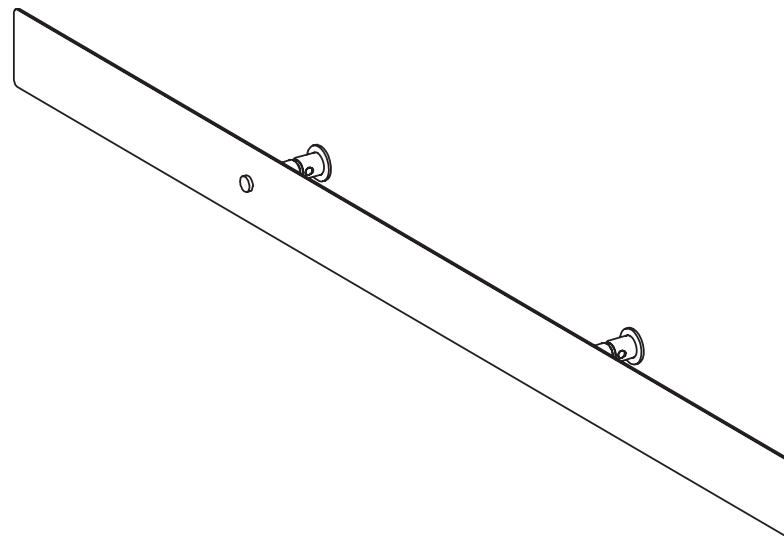
*Approximate values

CORD
2.4 m braided cord

DIMMER COMPATIBILITY
Touch dimmer (STANDARD)
Available for DALI or 1-10Volt

CERTIFICATIONS
CE (230V)

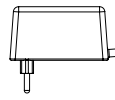
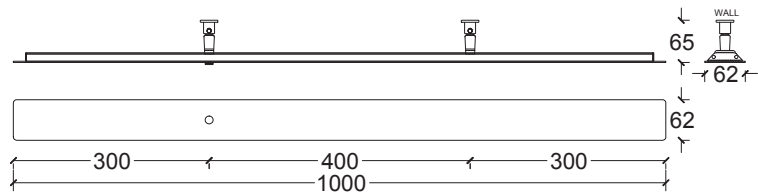
MATERIALS
Copper, Brass



120 V
LED
Wattage: 10 Watts
Lumens: 600 Lumens
Color Temperature: 2700
CRI: +93
Life Hours: 50,000

240V
LED
Wattage: 10 Watts
Lumens: 600 Lumens
Color Temperature: 2700
CRI: +93
Life Hours: 50,000

ANOUR | DIVAR
100 cm



Power supply
EURO / UK

SERIES

Divar

CORD

2.4 m braided cord

PRODUCT

100

DIMMER COMPATIBILITY

Touch dimmer (STANDARD)
Available for DALI or 1-10Volt

LEAD TIME

4-6 weeks

CERTIFICATIONS

CE (230V)

WEIGHT

2,2 kg*

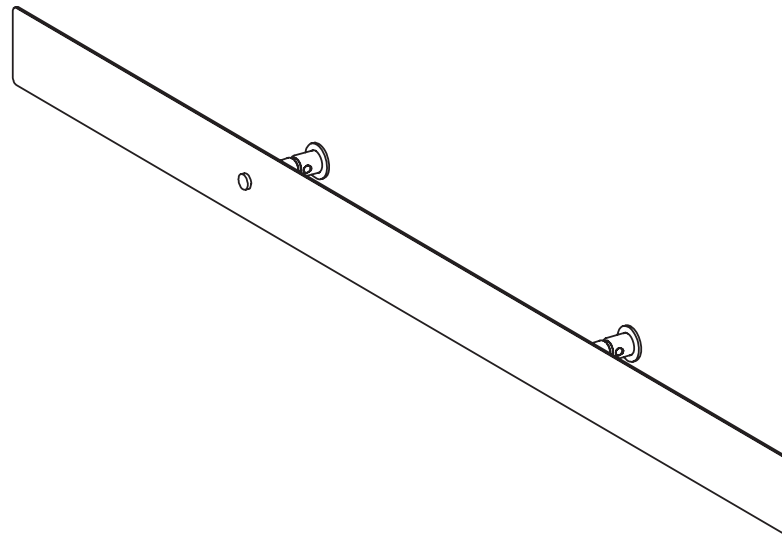
MATERIALS

Copper, Brass

PACKAGE WEIGHT

3,1 kg*

*Approximate values



120 V

LED

Wattage: 20 Watts

Lumens: 1345 Lumens

Color Temperature: 2700

CRI: +93

Life Hours: 50,000

240V

LED

Wattage: 20 Watts

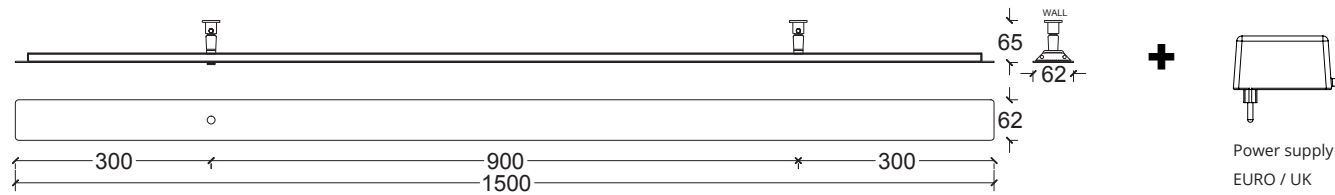
Lumens: 1345 Lumens

Color Temperature: 2700

CRI: +93

Life Hours: 50,000

ANOUR | DIVAR
150 cm



SERIES
Divar

PRODUCT
150

LEAD TIME
4-6 weeks

WEIGHT
3,3 kg*

PACKAGE WEIGHT
4,4 kg*

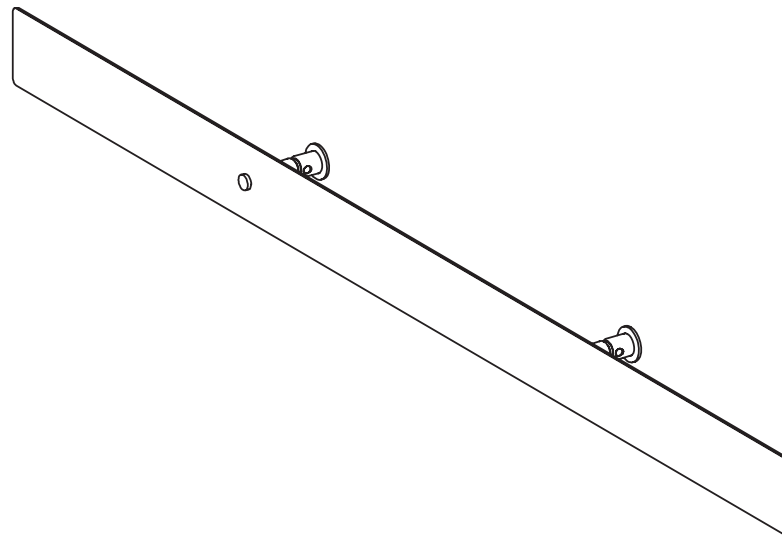
*Approximate values

CORD
2.4 m braided cord

DIMMER COMPATIBILITY
Touch dimmer (STANDARD)
Available for DALI or 1-10Volt

CERTIFICATIONS
CE (230V)

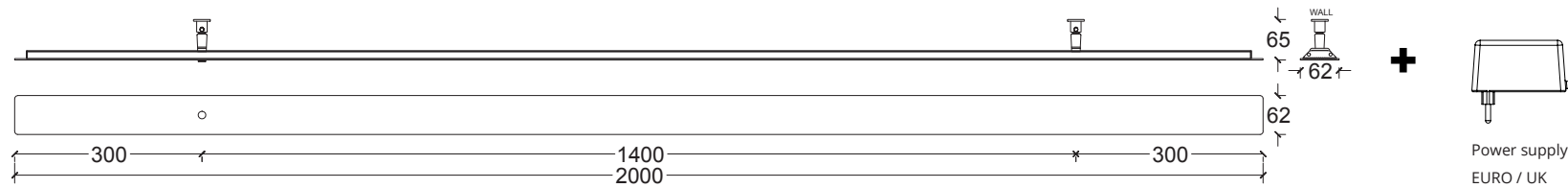
MATERIALS
Copper, Brass



120 V
LED
Wattage: 30 Watts
Lumens: 2050 Lumens
Color Temperature: 2700
CRI: +93
Life Hours: 50,000

240V
LED
Wattage: 30 Watts
Lumens: 2050 Lumens
Color Temperature: 2700
CRI: +93
Life Hours: 50,000

ANOUR | DIVAR
200 cm



SERIES
Divar

PRODUCT
200

LEAD TIME
4-6 weeks

WEIGHT
4,2 kg*

PACKAGE WEIGHT
5,7 kg*

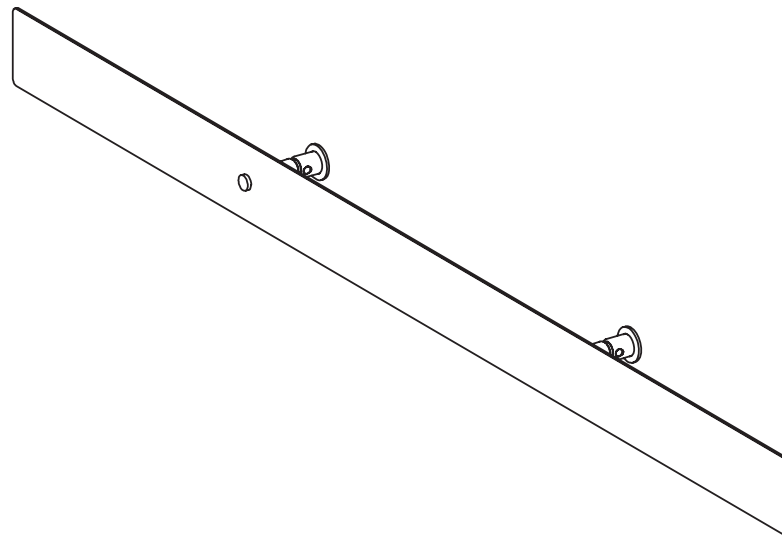
*Approximate values

CORD
2.4 m braided cord

DIMMER COMPATIBILITY
Touch dimmer (STANDARD)
Available for DALI or 1-10Volt

CERTIFICATIONS
CE (230V)

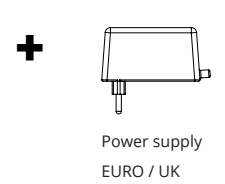
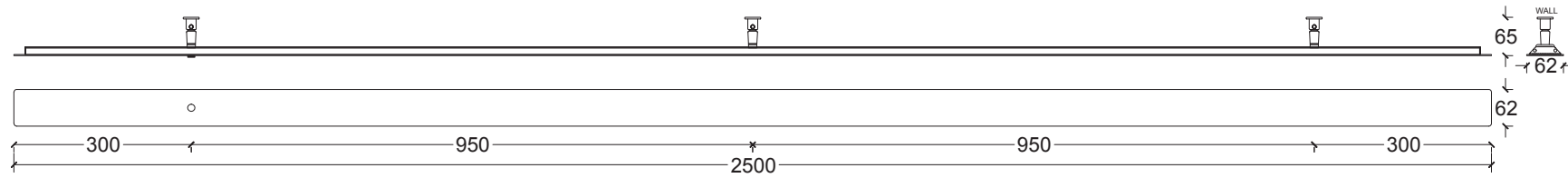
MATERIALS
Copper, Brass



120 V
LED
Wattage: 40 Watts
Lumens: 2760 Lumens
Color Temperature: 2700
CRI: +93
Life Hours: 50,000

240V
LED
Wattage: 40 Watts
Lumens: 2760 Lumens
Color Temperature: 2700
CRI: +93
Life Hours: 50,000

ANOUR | DIVAR
250 cm



SERIES
Divar

PRODUCT
250

LEAD TIME
4-6 weeks

WEIGHT
5,2 kg*

PACKAGE WEIGHT
7,1 kg*

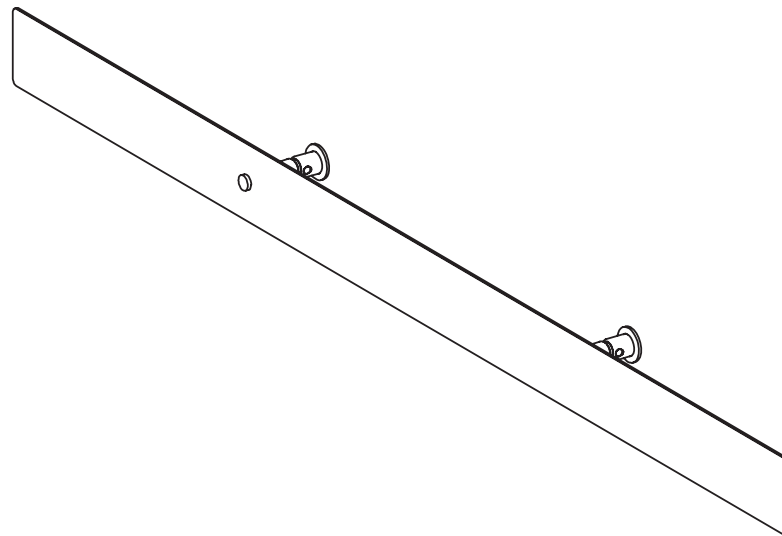
*Approximate values

CORD
2.4 m braided cord

DIMMER COMPATIBILITY
Touch dimmer (STANDARD)
Available for DALI or 1-10Volt

CERTIFICATIONS
CE (230V)

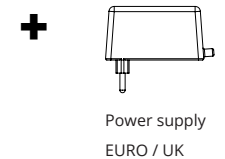
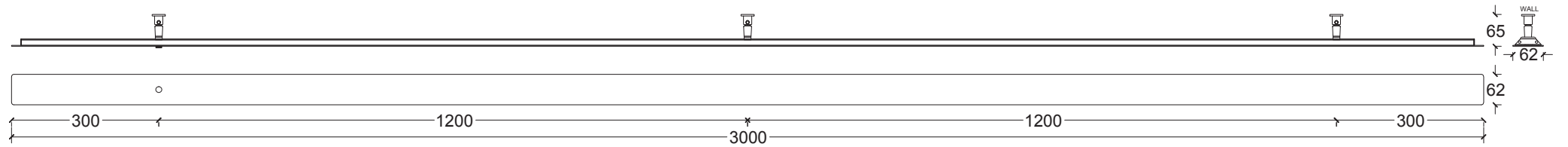
MATERIALS
Copper, Brass



120 V
LED
Wattage: 50 Watts
Lumens: 3470 Lumens
Color Temperature: 2700
CRI: +93
Life Hours: 50,000

240V
LED
Wattage: 50 Watts
Lumens: 3470 Lumens
Color Temperature: 2700
CRI: +93
Life Hours: 50,000

ANOUR | DIVAR
300 cm



SERIES
Divar

PRODUCT
300

LEAD TIME
4-6 weeks

WEIGHT
6,2 kg*

PACKAGE WEIGHT
8,6 kg*

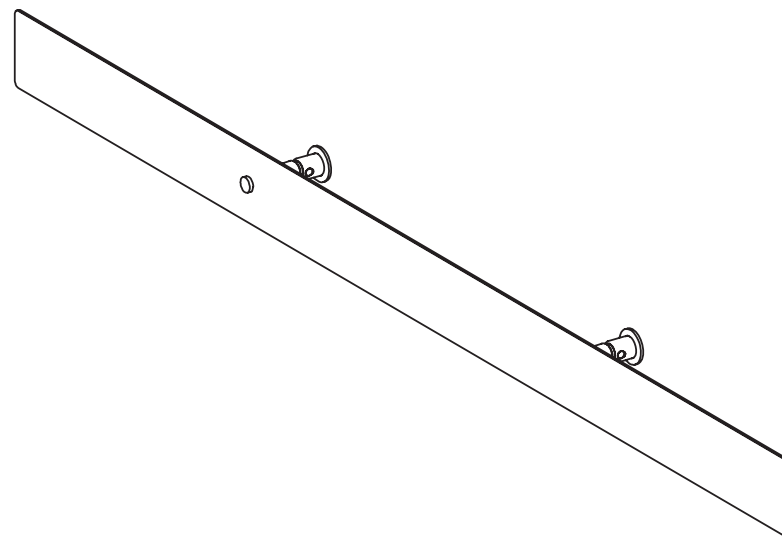
*Approximate values

CORD
2.4 m braided cord

DIMMER COMPATIBILITY
Touch dimmer (STANDARD)
Available for DALI or 1-10Volt

CERTIFICATIONS
CE (230V)

MATERIALS
Copper, Brass



120 V
LED
Wattage: 60 Watts
Lumens: 4190 Lumens
Color Temperature: 2700
CRI: +93
Life Hours: 50,000

240V
LED
Wattage: 60 Watts
Lumens: 4190 Lumens
Color Temperature: 2700
CRI: +93
Life Hours: 50,000