

# ANOUR

FAQ & INSTALLATION MANUAL 2018



Maintenance & care

Materials & finishes

Returns

How to suspend the light ?

Cord and ceiling connection

Colour options of the cord

Touch dimmer button

External dimming system

Divar wall lamp

Warranty

Dammages

Not responsible for the following

Notes

## MAINTENANCE & CARE

### CARE AND MAINTENANCE

To maintain the finished quality of your ANOUR product, please follow the cleaning procedures provided below. The instructions for the care and maintenance are provided to you as a service. No warranty is implied since results may vary.

Before cleaning, the light must be turned off and unplugged from mains supply. Whilst cleaning, please be extremely careful.

### MAINTWENANCE AND CARE OF POLISHED SURFACE

The product should only be treated with a polishing cream made for the specific material. We recommend ©BRASSO

### MAINTWENANCE AND CARE OF BROWNE D SURFACE

The product should only be cleaned with a dry soft cloth. Only if required, a thin coat of acid free natural oil can be applied on the surface and wiped afterwards with a clean soft cloth.

### MAINTWENANCE AND CARE OF BRUSHED SURFACE

For regular cleaning, the product should only be cleaned with a dry soft cloth.

To remove finger prints:

1. Make sure the main switch for the light is turned off.
2. Mix 1 table spoon of lemon acid (available in most pharmacies), to ½ liter warm water and a tea spoon of dishwashing liquid
3. Apply with a soft cloth the mixture to the light shell.
4. Wipe off with clean water and dry off with a clean soft cloth. This will remove finger marks.

### MAINTWENANCE AND CARE OF RUSTED AND OXIDISED SURFACE

For regular cleaning, please use a feather duster.

### MAINTWENANCE AND CARE OF MARBLE

Dust frequently with a clean, soft cloth. Wash periodically with a cloth dampened with warm water, and if necessary, a small amount of mild dishwashing liquid. Use a second damp cloth to remove the soap.

Please be careful with liquids around the touch dimmer and cable insulation areas. For more information, consult the FAQ on [anour.dk](http://anour.dk) or contact us at [contact@anour.dk](mailto:contact@anour.dk)

## MATERIALS & FINISHES



POLISHED COPPER



POLISHED BRASS



BRUSHED COPPER



BRUSHED BRASS



BROWNE D COPPER



BROWNE D BRASS



OXIDISED COPPER



BLACK ALUMINIUM



RUSTED STEEL



OAK



BLUED STEEL



BLACK STAIN OAK



CARRARA MARBLE



WALNUT

Anour finishes are created in our Copenhagen workshop by our artisans. Our raw materials copper, brass, steel and wood have an innate character and a corresponding ageing process.

Due to the hand-made process, each product is unique and may vary in finish.

## HOW TO SUSPEND THE LIGHT ?

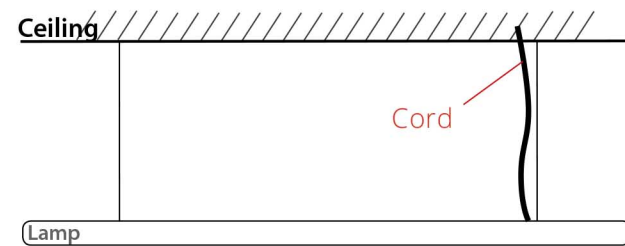
Above a table top, we recommend leaving a distance of 60 - 70 cm between the top of the table and the bottom edge of the pendant. Between the side edge of the table and the side edge of the lamp, we recommend leaving 30 - 50 cm.

Above a kitchen island, a little more space will be needed. We recommend 70 - 85 cm between the worktop of the island and the bottom edge of the pendant.

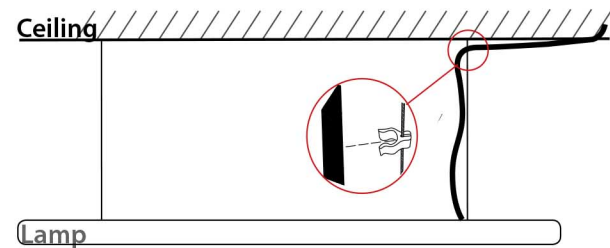
Please make sure the hanging height of the light is to your satisfaction before cutting the wire/cord.

## CORD & CEILING CONNECTION

**OPTION 1:** The cord goes directly through a hole to the ceiling. Recommended for suspended ceiling panels



**OPTION 2:** Use cord clips to direct the connection away from the ceiling suspension towards the nearest electrical output.



## COLOUR OPTIONS OF THE CORD

The suspension wire is always in steel, but the textile cord of the light is available in several colours. Unless otherwise stipulated, we will supply the light with our standard colour combination.

Standard combinations:

- Brass, brushed - Grey cord
- Brass, polished - Grey or black cord
- Brass, browned - Brown cord
  
- Copper, brushed - Copper cord
- Copper, Polished - Copper cord
- Copper, browned - Brown cord
  
- Steel, rusted - Brown cord
- Steel blued - Grey or black cord



Black



Grey



Brown

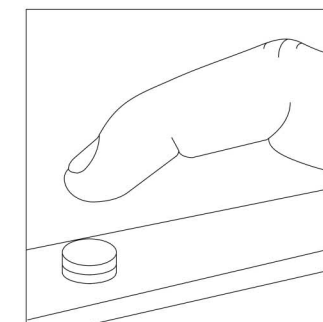
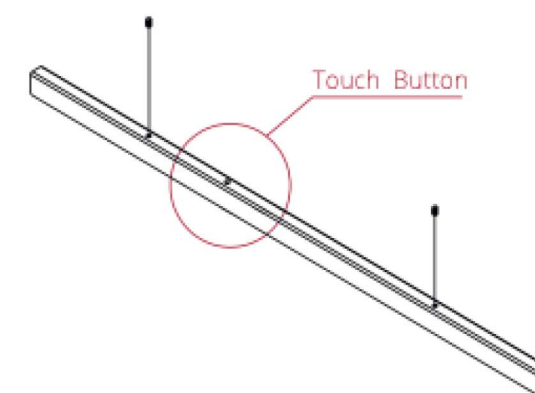


Copper

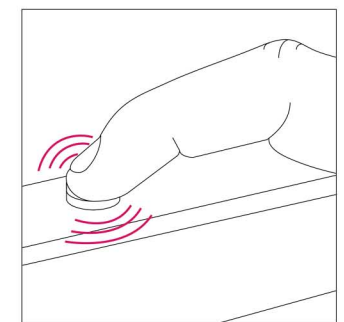
Note: Please advise us if you request a cord longer than the 3 metres standard length.

- DIVAR (50 - 150cm) - Only white cord
- DIVAR (200 - 300cm) - Only black cord

## TOUCH DIMMER BUTTON



Tap once to switch on.  
Tap again to switch off.



Double tap to reach  
max/min light.

Maintain your finger  
on the button to dim  
the light.



## EXTERNAL DIMMING SYSTEM

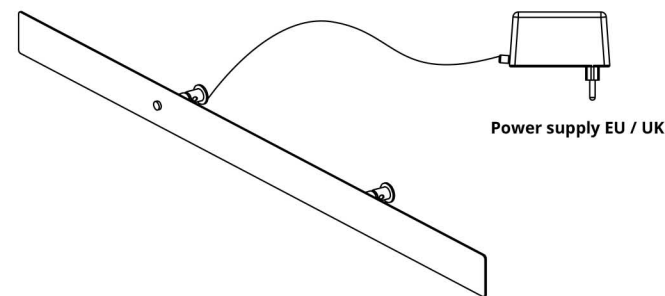
Our lights feature an integrated touch dimmer button that does not function with an external dimmer.

If an external dimming option is required we can supply our lights DALI or 1-10 Volt compatible at an additional charge. However, we recommend that you consult your electrician first.

Please note, we do not supply the system or switch for your installation.

## DIVAR WALL LAMP

The DIVAR wall lamp comes standard with 2.4 m braided cord and a plug in power supply (EU or UK).



## WARRANTY

The warranty period is 2 years for Denmark and 1 year for other EU and non-EU countries.

## DAMMAGES

Damages on delivery must be documented and reported within 5 working days of receipt. ANOUR will not be responsible for any repair or replacement of damaged goods reported after this time.

If damage has occurred during shipment, all packaging must be retained and the goods must be signed for either as 'damaged' or 'not checked'. Failure to do so may invalidate any claim.

## RECEPTION OF THE LIGHT // CLAIM PROCESS

1. Check for any visible damage to the packaging. If yes, report it immediately to the delivery man and on your shipping receipt.
2. Open the package and check the contents.
3. If there is any visible damage to the product, please document and notify us immediately with photos and your order number.

## NOT RESPONSIBLE FOR THE FOLLOWING

- Damage caused by incorrect cleaning solutions or methods.
- Damage caused by incorrect installation or assembly by the customer or the customer's agent.
- Damage caused by exposure to weather and poor environment.
- Changes in the appearance of the finishes designed to change with age.
- Any cost of installation, removal or re-installation.
- Restoration or repair work.
- Any parts purchased from other suppliers, for our light fixtures.

## NOTES

- There is no ceiling cap provided with the I-MODEL .
- Please note that we currently only offer lights to the US without power supply. We advise you to purchase the switchex system from diodeled directly.

This is an UL certified external dimmer/driver from a renowned US company.  
Link: <http://www.diodeled.com/switchex/>

- 1. DIVAR
- 2. I MODEL
- 3. Y MODEL
- 4. X MODEL

**IMPORTANT. Read our instructions before installing and using the product**

If you have any problems with the electrical installation, contact an electrician. Be sure to turn off the power before you start the installation. In some countries, all electrical installation must be carried out by professional electricians only. For further information, contact the relevant authorities.

Our products are for indoor use only. Check on a regular basis that the cord and other parts are not damaged. In this case, the product must not be used. Save these instructions for future use.

We use LED as a light source for our products. For replacement of LED contact Anour. The product should not be dismantled as it may get damaged. The product should not come into direct contact with water.

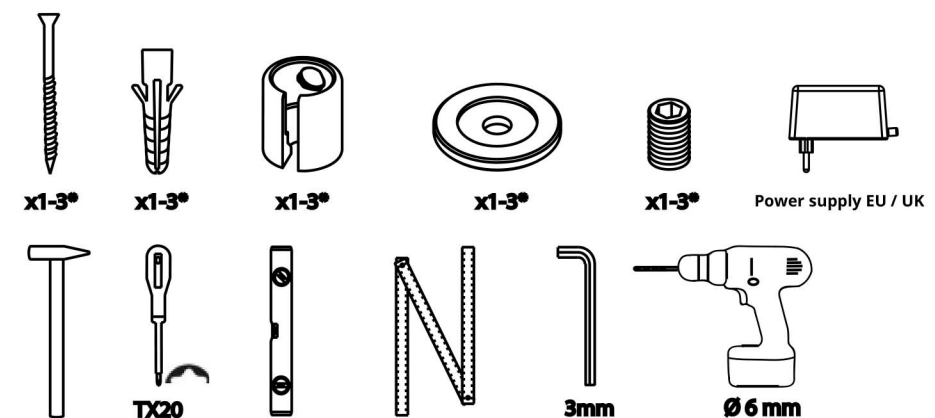
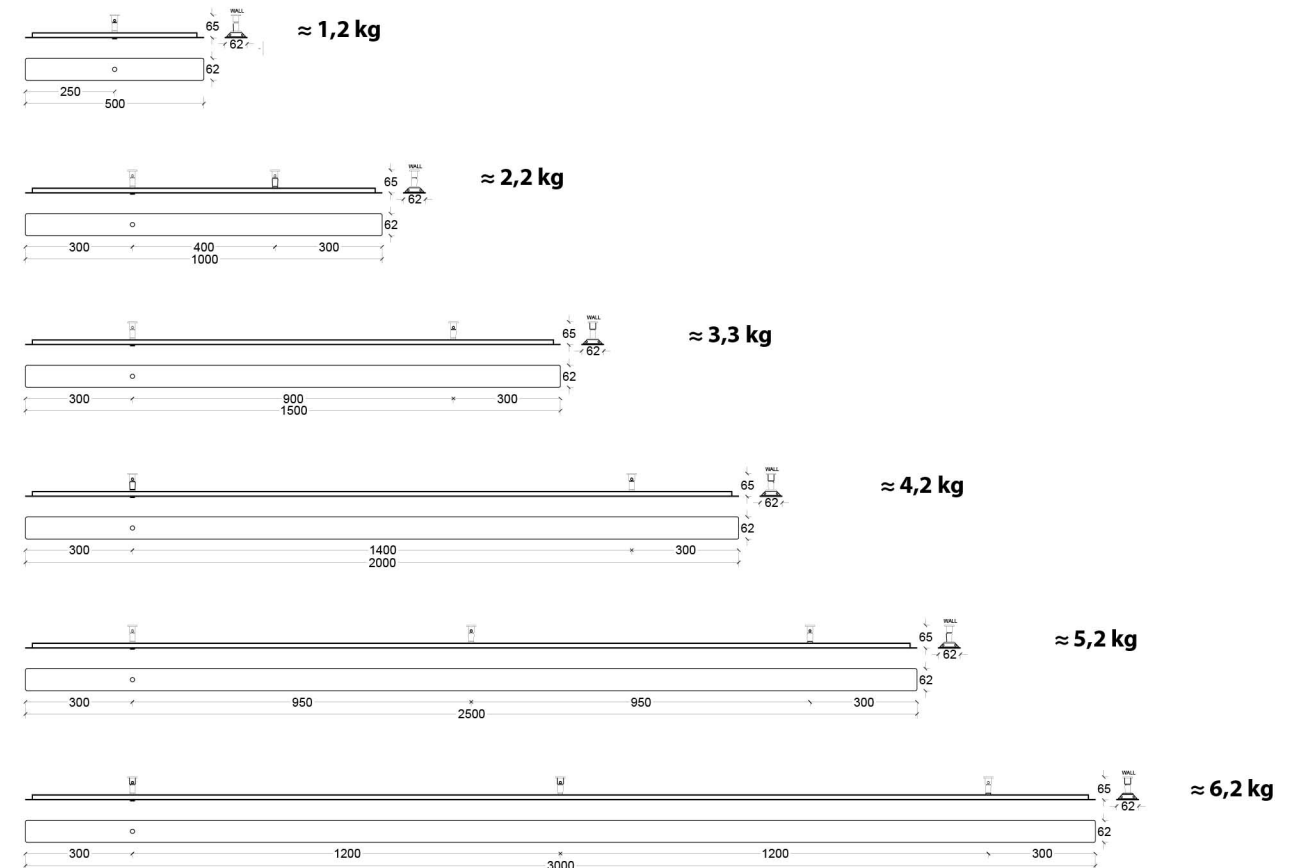
Our products are marked with the symbol of the crossed out wheellie bin. That means that the product should not be disposed of with other household waste. Our products must be recycled in accordance with local environmental regulations for the disposal of waste. In complying with this you will help to minimize any adverse effect on human and environmental health. If you have any questions please contact Anour.



**Note:**  
There is no ceiling cap provided with the I-Model lamp.

# 1. DIVAR MODEL

## DIMENSIONS



### STANDARD CONFIGURATION

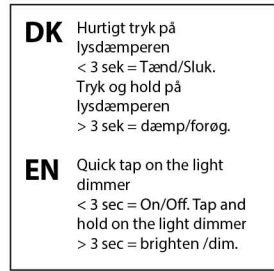
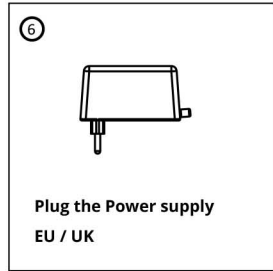
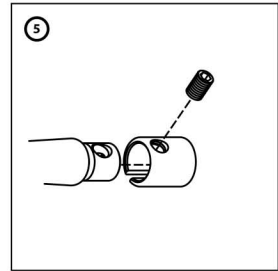
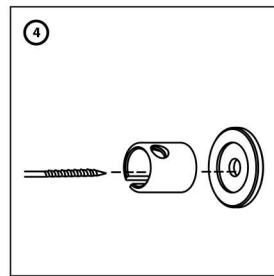
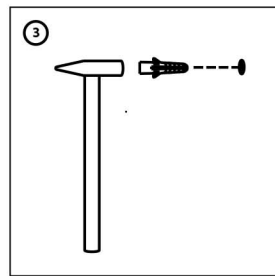
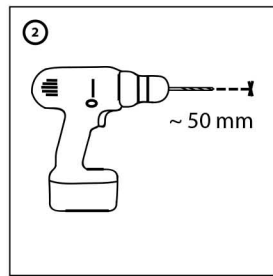
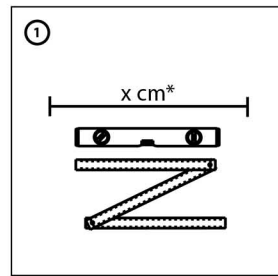
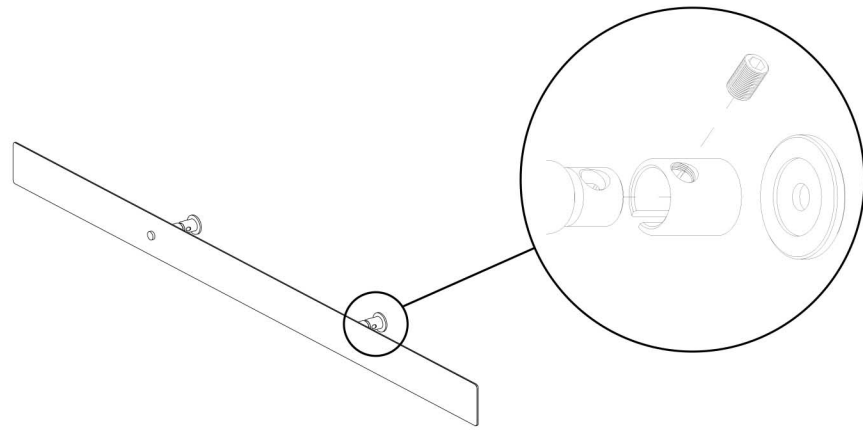
The DIVAR wall lamp comes standard with 2.4 m braided cord and a plug in power supply (EU or UK).

Then you have also different options to integrate the driver in the wall and have DALI or 1-10v dimming system. Please see page 10-12.



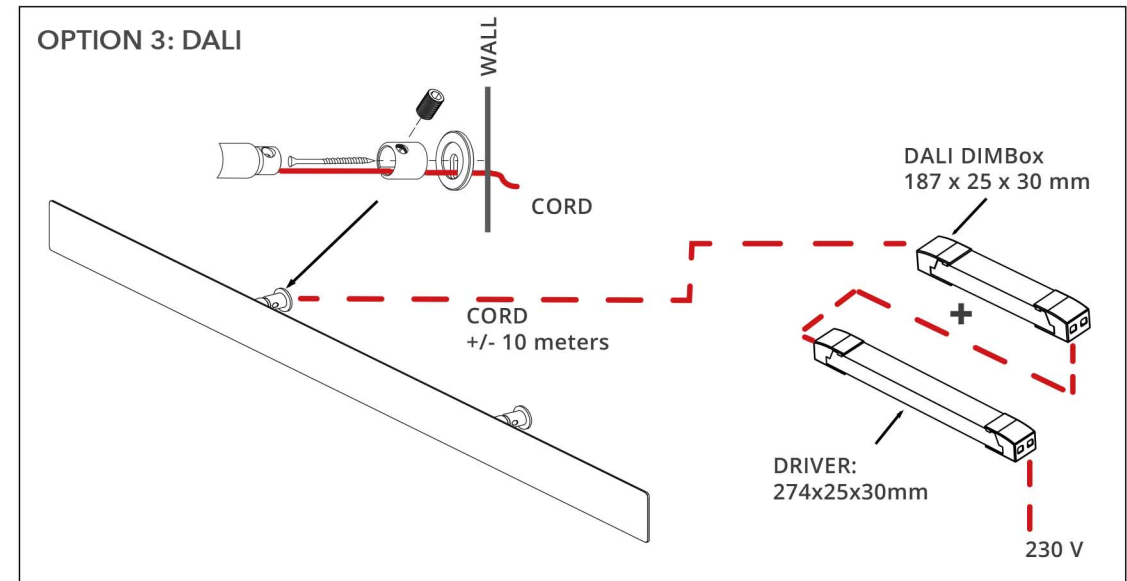
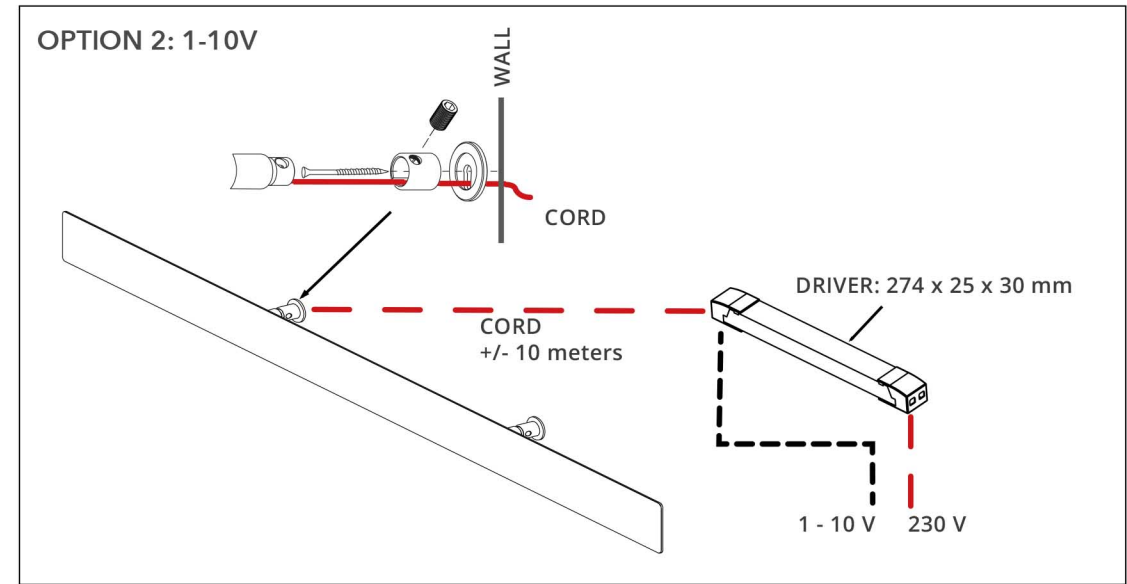
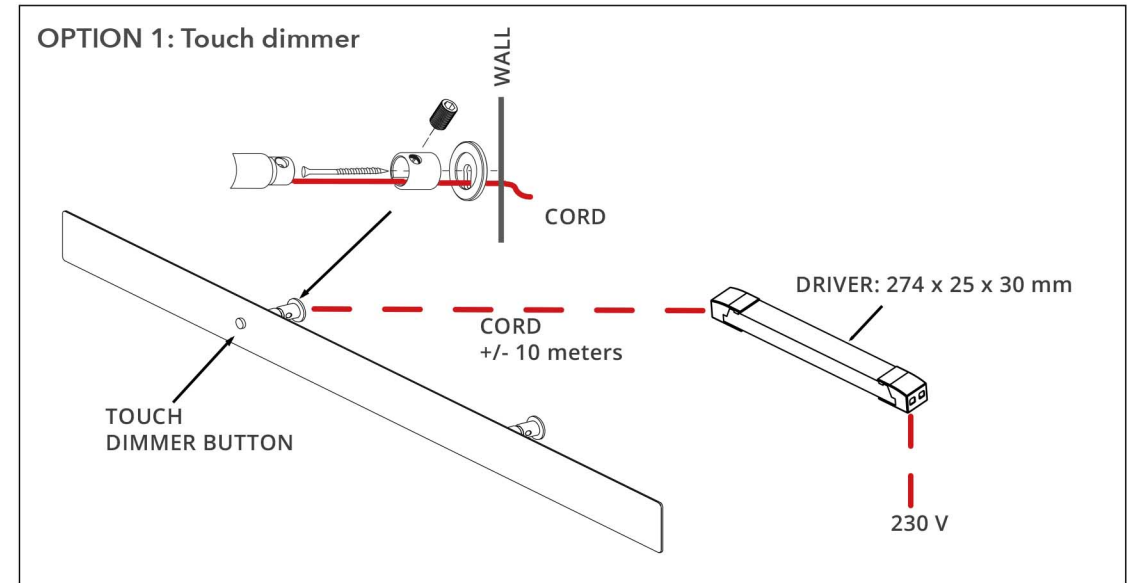
# 1. DIVAR MODEL

## INSTALLATION INSTRUCTIONS



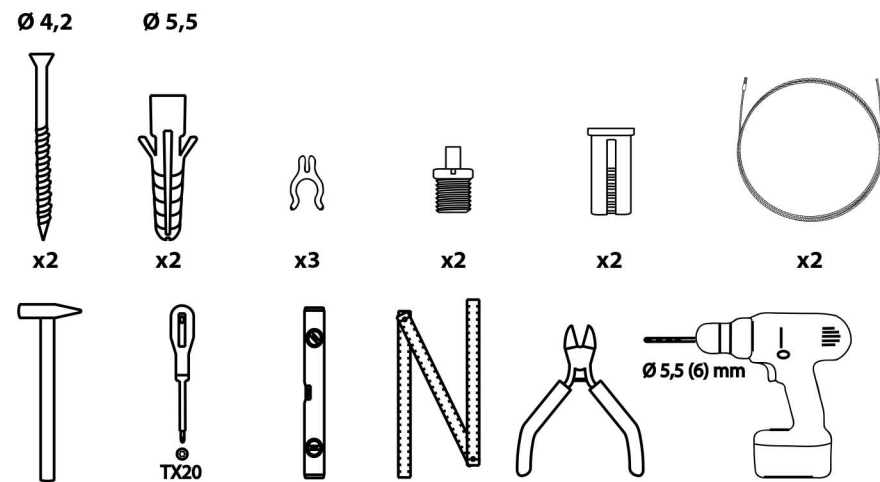
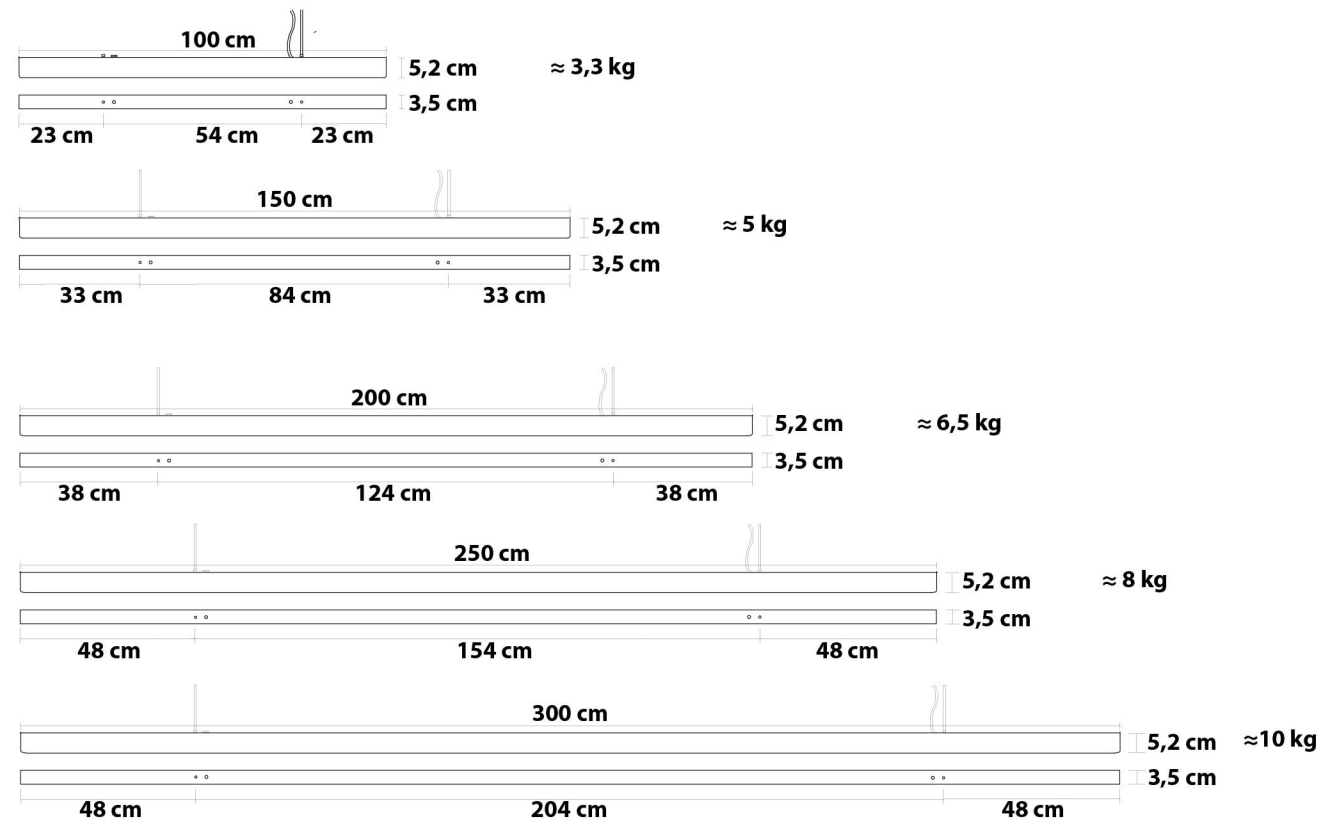
# 1. DIVAR MODEL

## WALL INTEGRATION AND DIMMING SYSTEM



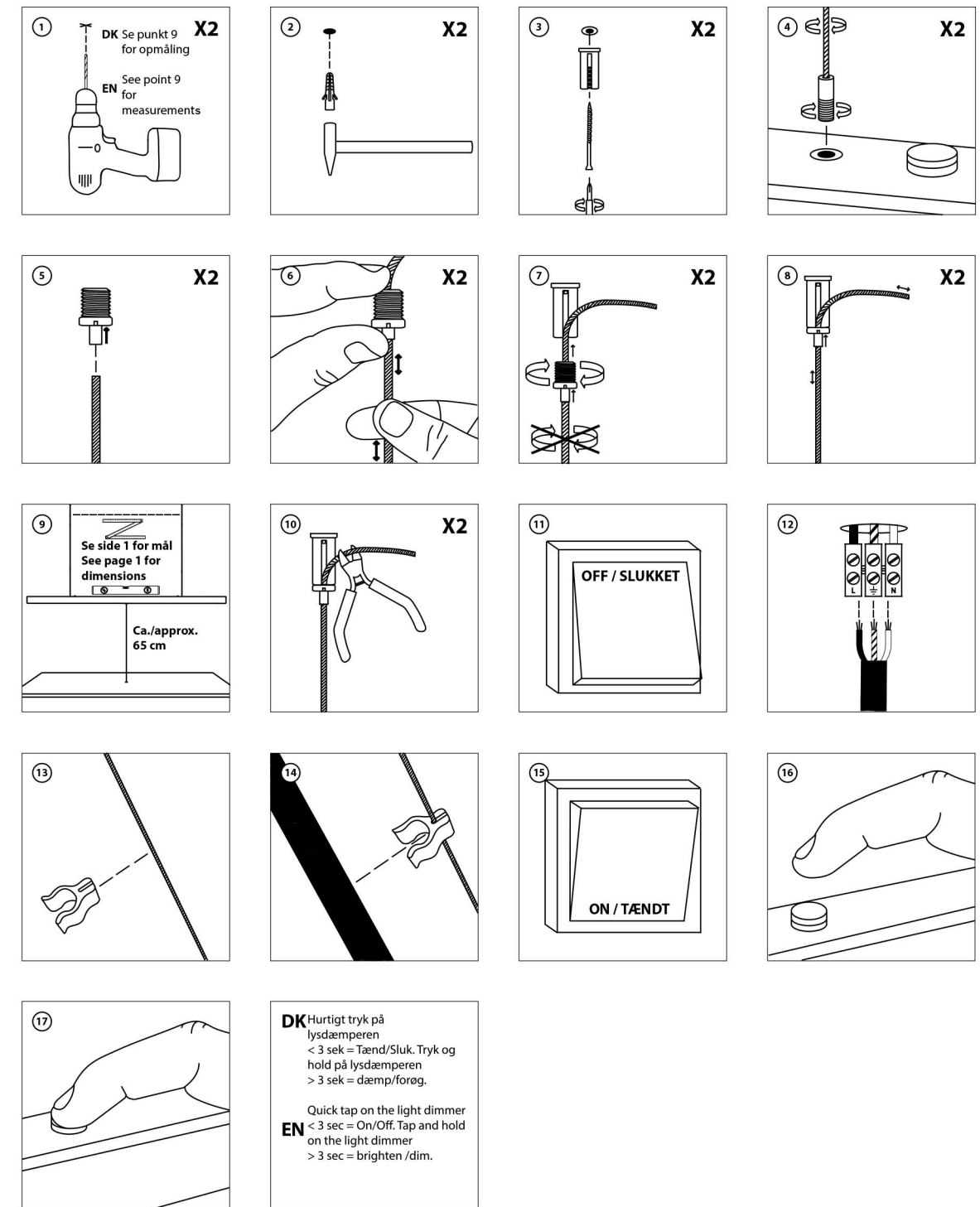
## 2. I MODEL WITH CORD

### DIMENSIONS



## 2. I MODEL WITH CORD

### INSTALLATION INSTRUCTIONS





# ANOUR

## I MODEL CORDLESS

### Installation manual

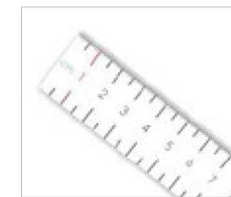
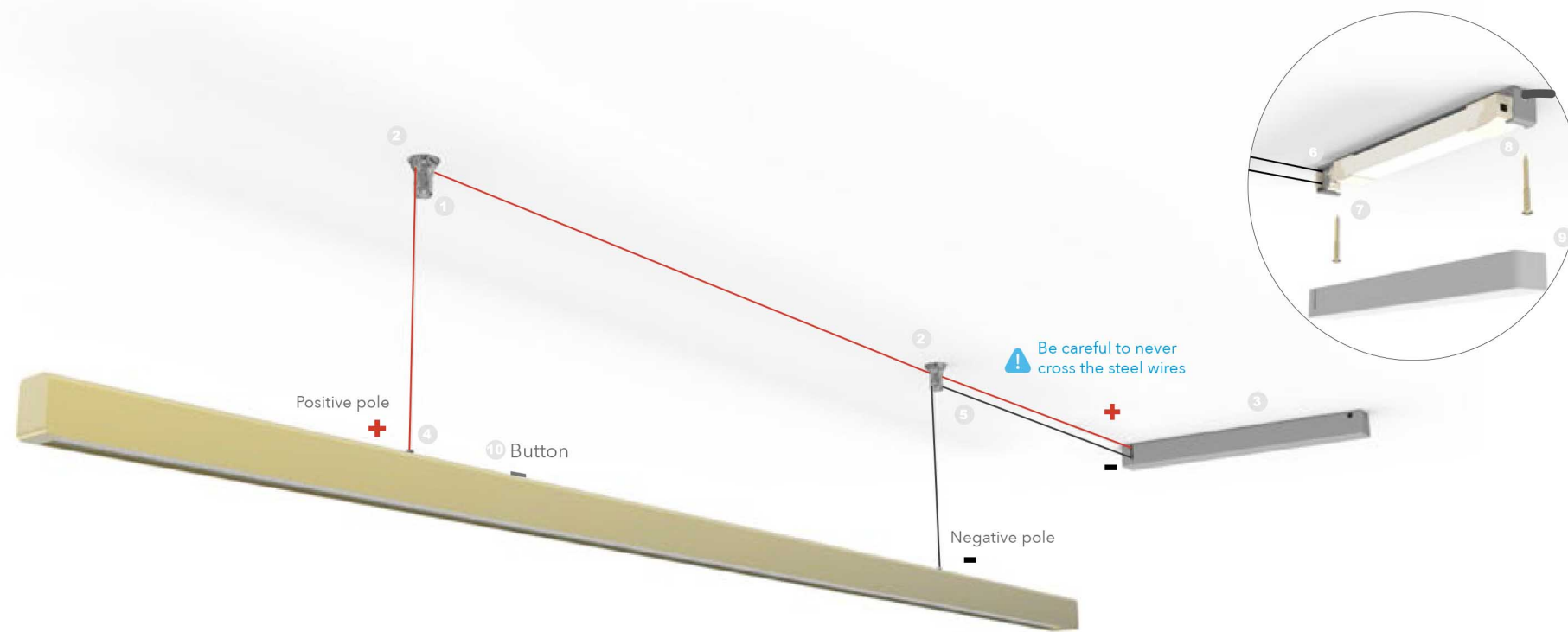
Please, read our instructions before installing and using the product.

If you have any problems with the electrical installation, contact an electrician. Be sure to turn off the power before you start the installation. In some countries, all electrical installation must be carried out by professional electricians only. For further information, contact the relevant authorities.

Our products are for indoor use only. Check on a regular basis that the cord and other parts are not damaged. In this case, the product must not be used. Save these instructions for future use.

We use LED as a light source for our products. For replacement of LED contact Anour. The product should not be dismantled as it may get damaged. The product should not come into direct contact with water.

Our products are marked with the symbol of the crossed out wheelee bin. That means that the product should not be disposed of with other household waste. Our products must be recycled in accordance with local environmental regulations for the disposal of waste. In complying with this you will help to minimize any adverse effect on human and environmental health. If you have any questions please contact Anour. [contact@anour.dk](mailto:contact@anour.dk) (2017)



1. Measure distance between the suspension points. See below.



2. Drill holes and fasten the plastic ceiling components.

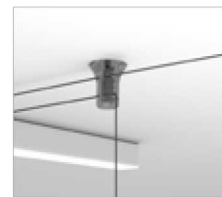


3. Position the driver box (see diagram below), drill holes and fasten it.



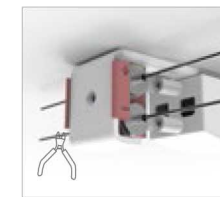
4. Attach the wires to the nipples and tightly fasten the wires to the lamp.

⚠ The positive pole is the suspension point closest to the button.



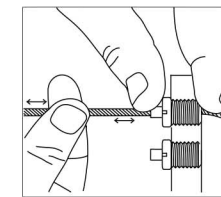
5. Insert the steel wires in the 2 plastic ceiling components. Assure that the wires are aligned.

⚠ Be careful to never cross the steel wires.



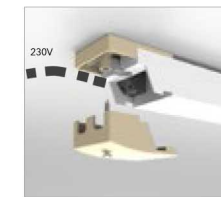
6. Insert the + wire in the + terminal and the - wire in the - terminal.

You can change the position of the poles by repositioning the wire grippers. ↻



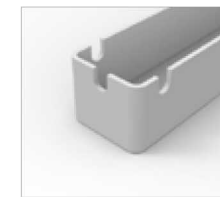
7. Adjust the height of the lamp by pressing the wire gripper and then, cut the excess wire, as shown.

We recommend suspending the light with a distance of +/- 60cm above a dining table. For kitchen table tops, we recommend +/- 70cm.



8. Connect the primary power cable to the terminals on the primary side of the power supply and then, fasten the screw of the safety cap.

⚠ Should be performed according to safety regulations.



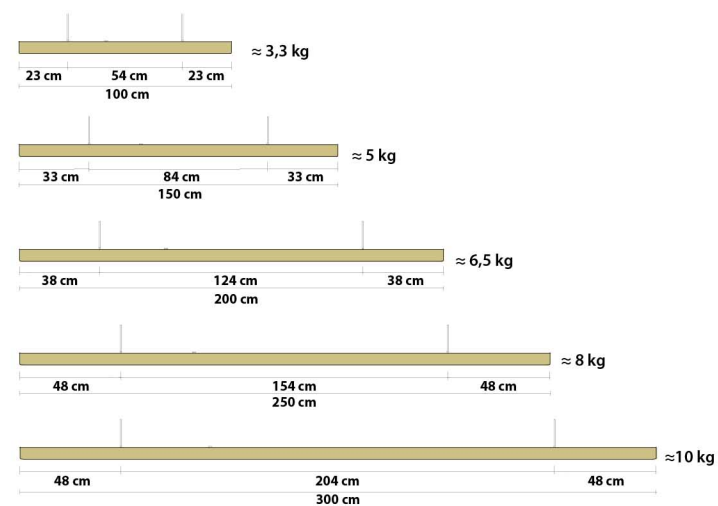
9. Cut out one input for the primary power cable (3 options shown) in the plastic lid and then attach the lid to the power supply (magnetic closure).



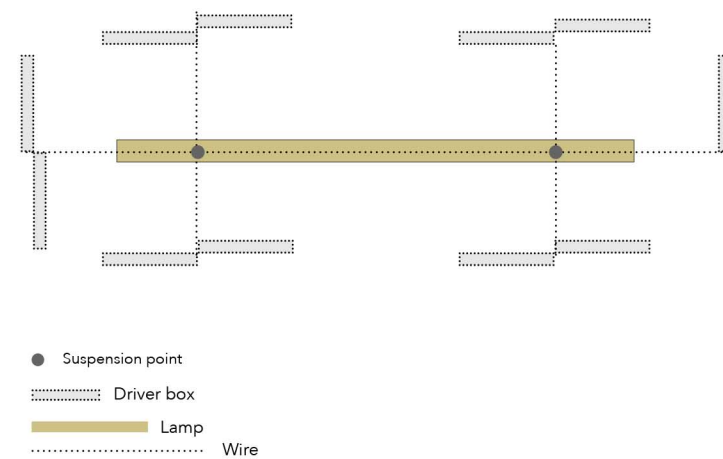
10. On / Off / Dimming.  
• Quick tap on the button on the lamp = On/Off.  
• Hold finger on the button = brighter or dim.  
• Double tap: for max or min brightness

⚠ If the button does not respond, turn off main power for the duration of 30 sec and try again.

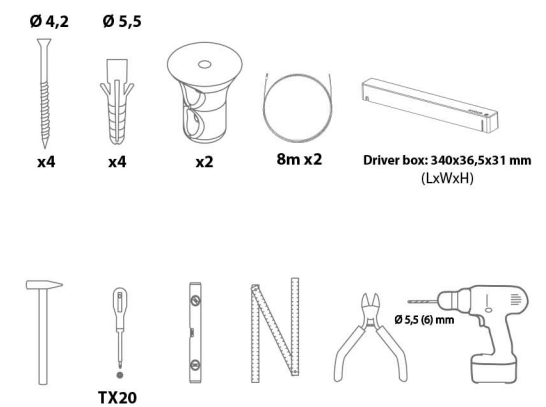
### DIMENSIONS



### DRIVER BOX POSITION OPTIONS : DIAGRAM (TOP VIEW)



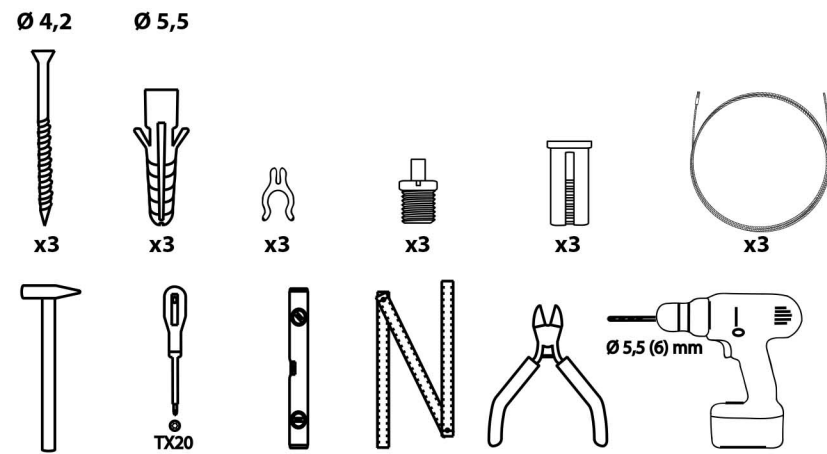
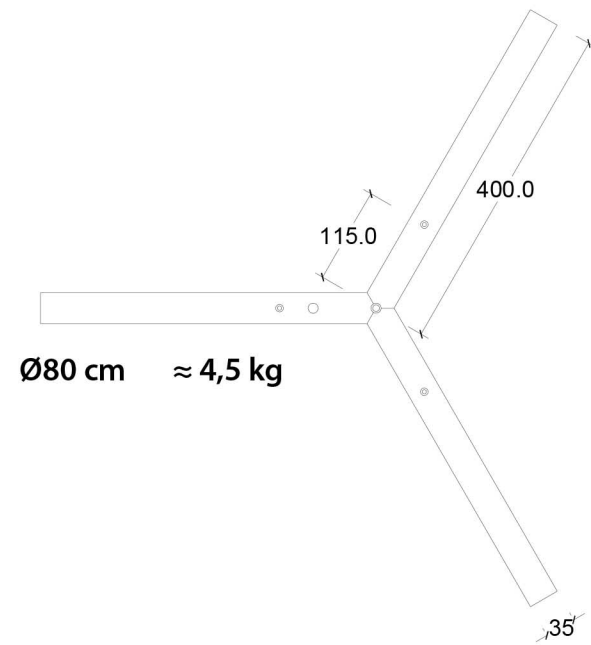
### EQUIPMENT





# 3. Y MODEL WITH CORD

## DIMENSIONS



# 3. Y MODEL WITH CORD

## INSTALLATION INSTRUCTIONS

1 **DK** Se punkt 9 for opmåling **x3**  
**EN** See point 9 for measurement

2 **x3**

3 **x3**

4 **x3**

5 **x3**

6 **x3**

7 **x3**

8 **x3**

9 Se side 1 for mål See page 1 for dimensions  
Ca./approx. 65 cm

10 **x3**

11 OFF / SLUKKET

12

13

14

15 ON / TÆNDT

16

17

**DK** Hurtigt tryk på lysdæmperen  
< 3 sek = Tænd/Sluk. Tryk og hold på lysdæmperen  
> 3 sek = dæmp/forøg.

**EN** Quick tap on the light dimmer  
< 3 sec = On/Off. Tap and hold on the light dimmer  
> 3 sec = brighten /dim.

**DK** Brug for hjælp? Ring til os: +45 26 29 99 79

**EN** Need help? Please call us: +45 26 29 99 79

# ANOUR

## Y MODEL CORDLESS

### Installation manual

Please, read our instructions before installing and using the product.

If you have any problems with the electrical installation, contact an electrician. Be sure to turn off the power before you start the installation. In some countries, all electrical installation must be carried out by professional electricians only. For further information, contact the relevant authorities.

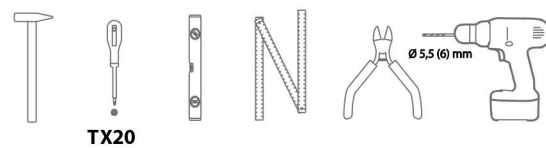
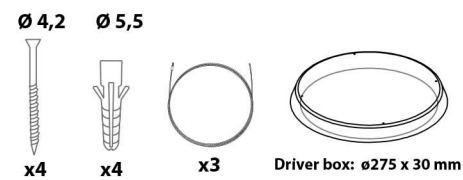
Our products are for indoor use only. Check on a regular basis that the cord and other parts are not damaged. In this case, the product must not be used. Save these instructions for future use.

We use LED as a light source for our products. For replacement of LED contact Anour. The product should not be dismantled as it may get damaged. The product should not come into direct contact with water.

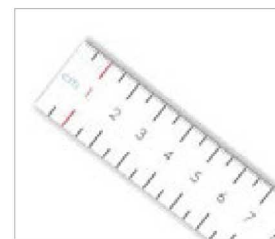
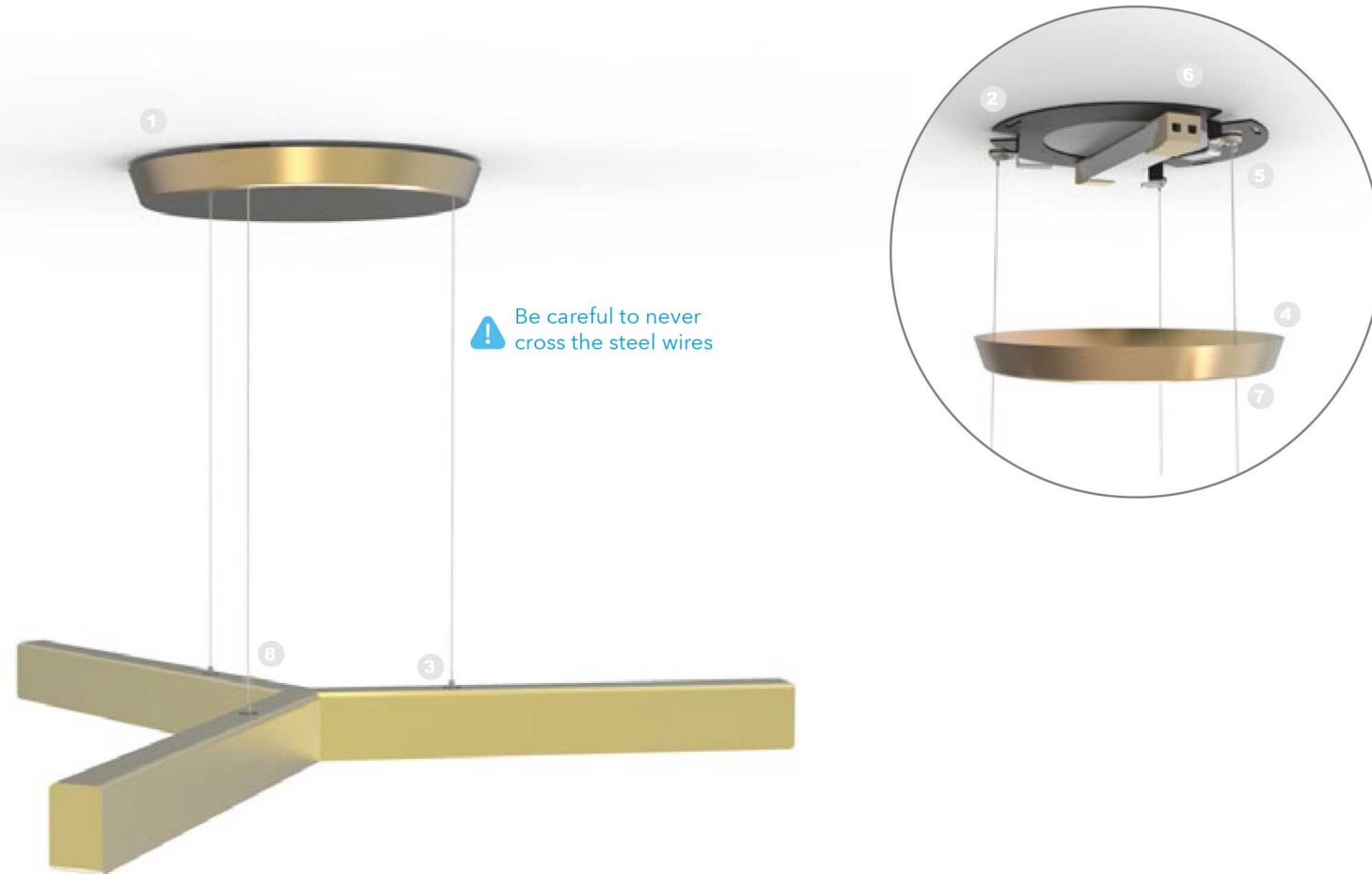
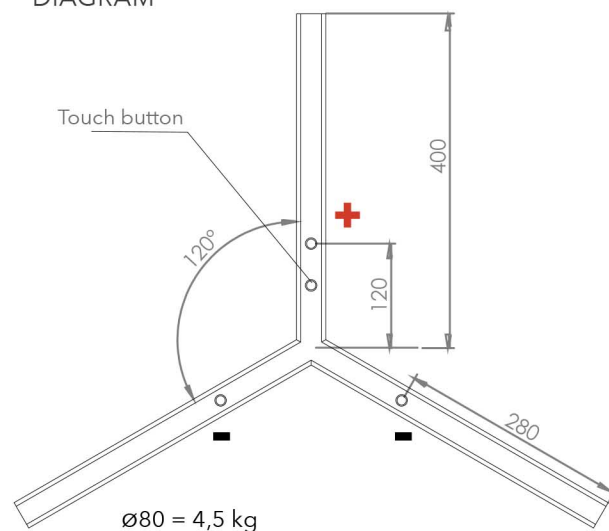
Our products are marked with the symbol of the crossed out wheelie bin. That means that the product should not be disposed of with other household waste. Our products must be recycled in accordance with local environmental regulations for the disposal of waste. In complying with this you will help to minimize any adverse effect on human and environmental health. If you have any questions please contact Anour. contact@anour.dk (2017)



### EQUIPMENT



### DIAGRAM



1. Position & measurement.



2. Drill 3 holes, place the anchors and fasten the ceiling bracket.

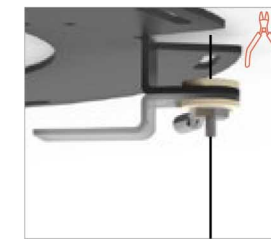


3. Attach the wires to the nipples and tightly fasten the wires to the lamp.

⚠ The positive pole is the suspension point closest to the touch button.

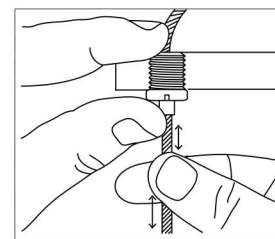


4. Insert the 3 wires through the holes of the rosette cover



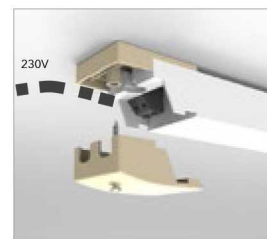
5. Insert the 3 wires in the 3 wire grippers.

⚠ Follow the color code to Insert the + wires in the + terminals and the - wires in the - terminals.



5. Adjust the position of the lamp and then cut the excess of wire.

We recommend suspending the light with a distance of +/- 60cm above a dinning table.



6. Connect the primary power cable to the terminals on the primary side of the power supply and then, fasten the screw of the safety cap.

⚠ Should be performed according to safety regulations.



7. Close the box / Magnetic closure



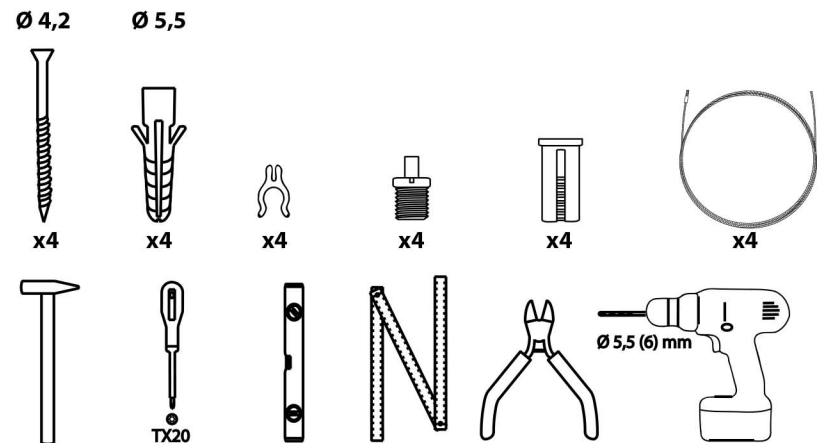
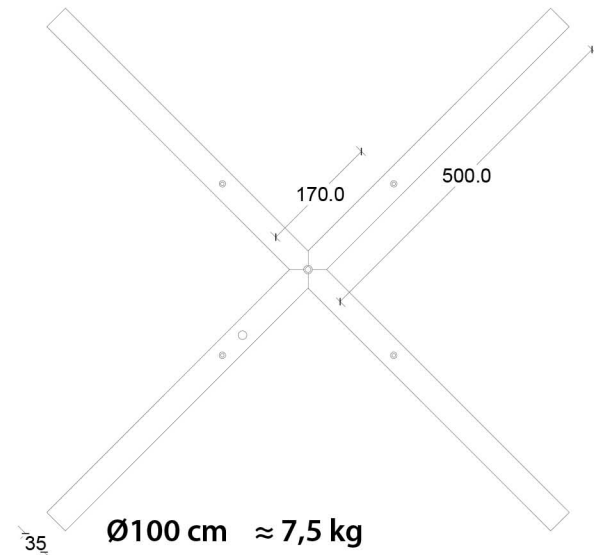
8. On / Off / Dimming.

- Tap on the button on the lamp: less than 3 sec = On/Off.
- Touch the button: more than 3 sec = brighten or dim.
- Double tap: for max or min brightness

⚠ If the button does not respond, turn off main power for the duration of 30 sec and try again.

# 4. X MODEL WITH CORD

## DIMENSIONS



# 4. X MODEL WITH CORD

## INSTALLATION INSTRUCTIONS

1 **DK** Se punkt 9 for opmåling **x4**  
**EN** See point 9 for measurement

2 **x4**

3 **x4**

4 **x4**

5 **x4**

6 **x4**

7 **x4**

8 **x4**

9 Se side 1 for mål See page 1 for dimensions  
Ca./approx. 65 cm

10 **x4**

11 OFF / SLUKKET

12

13

14

15 ON / TÆNDT

16

17

**DK** Hurtigt tryk på lysdæmperen  
< 3 sek = Tænd/Sluk. Tryk og hold på lysdæmperen  
> 3 sek = dæmp/forøg.

**EN** Quick tap on the light dimmer  
< 3 sec = On/Off. Tap and hold on the light dimmer  
> 3 sec = brighten /dim.

# ANOUR

## X MODEL CORDLESS

### Installation manual

Please, read our instructions before installing and using the product.

If you have any problems with the electrical installation, contact an electrician. Be sure to turn off the power before you start the installation. In some countries, all electrical installation must be carried out by professional electricians only. For further information, contact the relevant authorities.

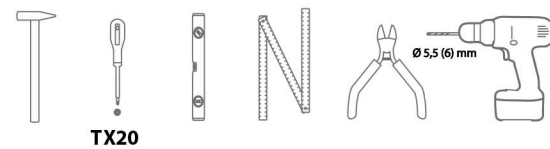
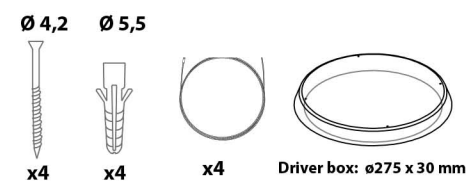
Our products are for indoor use only. Check on a regular basis that the cord and other parts are not damaged. In this case, the product must not be used. Save these instructions for future use.

We use LED as a light source for our products. For replacement of LED contact Anour. The product should not be dismantled as it may get damaged. The product should not come into direct contact with water.

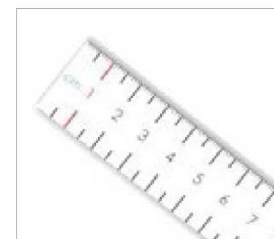
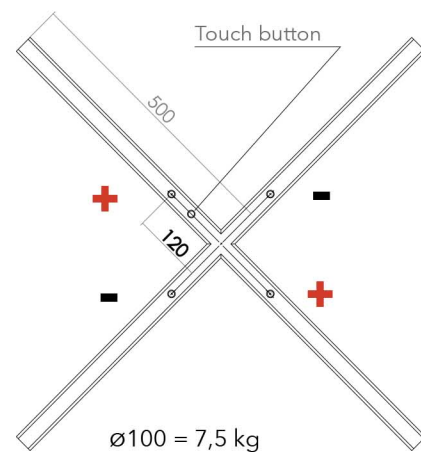
Our products are marked with the symbol of the crossed out wheelee bin. That means that the product should not be disposed of with other household waste. Our products must be recycled in accordance with local environmental regulations for the disposal of waste. In complying with this you will help to minimize any adverse effect on human and environmental health. If you have any questions please contact Anour. contact@anour.dk (2017)



### EQUIPMENT



### DIAGRAM



1. Position & measurement.



2. Drill 4 holes, place the anchors and fasten the ceiling bracket.

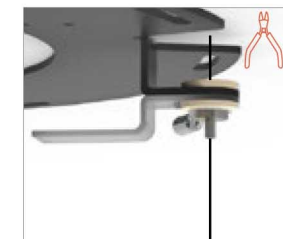


3. Attach the 4 wires to the nipples and tightly fasten the wires to the lamp.

⚠ The positive pole is the suspension point closest to the touch button.

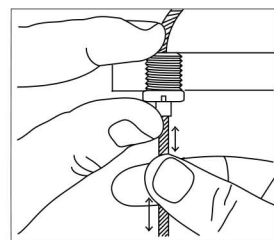


4. Insert the 4 wires through the holes of the rosette cover



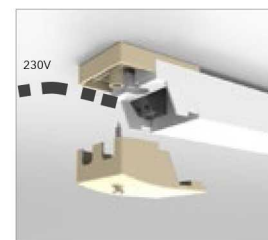
5. Insert the 4 wires in the 4 wire grippers.

⚠ Follow the colour code to insert the + wires in the + terminals and the - wires in the - terminals.



5. Adjust the position of the lamp and then cut the excess of wire.

We recommend suspending the light with a distance of +/- 60cm above a dinning table.



6. Connect the primary power cable to the terminals on the primary side of the power supply and then, fasten the screw of the safety cap.

⚠ Should be performed according to safety regulations.



7. Close the box / Magnetic closure



8. On / Off / Dimming.

- Tap on the button on the lamp: less than 3 sec = On/Off.
- Touch the button: more than 3 sec = brighten or dim.
- Double tap: for max or min brightness

⚠ If the button does not respond, turn off main power for the duration of 30 sec and try again.