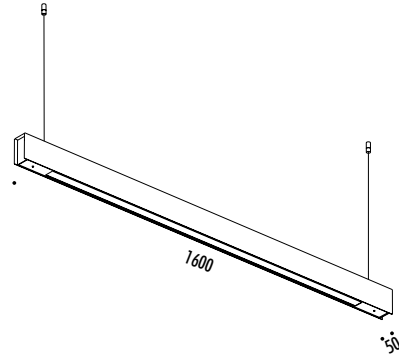
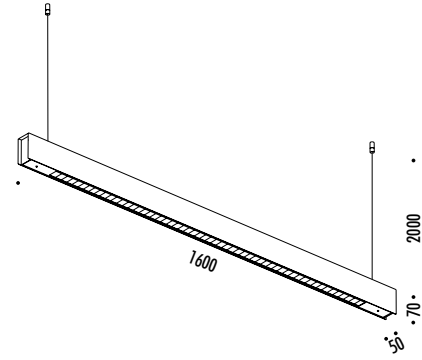
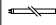


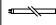
DESIGN 2004
SUSPENSION AND CEILING LAMP - METAL - POLYCARBONATE



DESIGN 2004
SUSPENSION AND CEILING LAMP - METAL



CODE	FINISHING	TECHNICAL INFO
12460303	MATT WHITE	120 V - 60 Hz - 35 W - G5 BULB INCLUDED - WHITE CABLE - WHITE CEILING ROSE
		 COD. 50720400 FLUORESCENT - 35 W INCLUDED - 3000K - 3650 lm

CODE	FINISHING	TECHNICAL INFO
14930303	MATT WHITE	120 V - 60 Hz - 35 W - G5 BULB INCLUDED - WHITE CABLE - WHITE CEILING ROSE
		 COD. 50720400 FLUORESCENT - 35 W INCLUDED - 3000K - 3650 lm