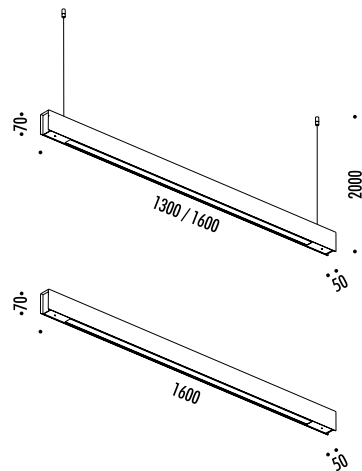


DESIGN 2004
LAMPADA A SOSPENSIONE E DA SOFFITTO - METALLO - POLICARBONATO
SUSPENSION AND CEILING LAMP - METAL - POLYCARBONATE
ENERGY CLASS: A+ , A

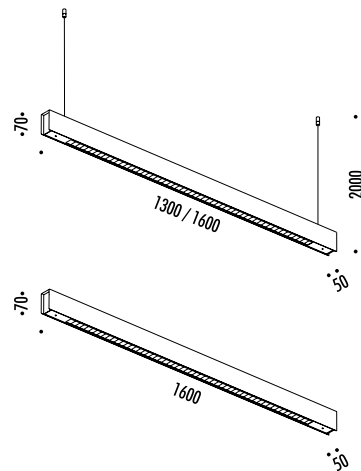
CE IP 20



CODICE / CODE	FINITURA / FINISHING	CARATTERISTICHE / TECHNICAL INFO
163303	BIANCO OPACO / MATT WHITE	SPY 54 220 / 240 V - 50 / 60 Hz - 54 W - G5 LAMPADINA INCLUSA - NON DIMMERABILE CAVO BIANCO - ROSONE BIANCO BULB INCLUDED - NOT DIMMABLE - WHITE CABLE - WHITE CEILING ROSE
		COD. 5072041 FLUORESCENT - 54 W - 3000K - 5000 lm - EFFICIENCY A+
124603	BIANCO OPACO / MATT WHITE	SPY 80 220 / 240 V - 50 / 60 Hz - 80 W - G5 LAMPADINA INCLUSA - NON DIMMERABILE CAVO BIANCO - ROSONE BIANCO BULB INCLUDED - NOT DIMMABLE - WHITE CABLE - WHITE CEILING ROSE
		COD. 5072042 FLUORESCENT - 80 W - 3000K - 7000 lm - EFFICIENCY A
151803	BIANCO OPACO / MATT WHITE	SPY 80 PL - LAMPADA DA SOFFITTO - CEILING LAMP 220 / 240 V - 50 / 60 Hz - 80 W - G5 LAMPADINA INCLUSA - NON DIMMERABILE BULB INCLUDED - NOT DIMMABLE
		COD. 5072042 FLUORESCENT - 80 W - 3000K - 7000 lm - EFFICIENCY A

DESIGN 2004
LAMPADA A SOSPENSIONE E DA SOFFITTO - METALLO
SUSPENSION AND CEILING LAMP - METAL
ENERGY CLASS: A+ , A

CE IP 20



CODICE / CODE	FINITURA / FINISHING	CARATTERISTICHE / TECHNICAL INFO
163403	BIANCO OPACO / MATT WHITE	SPY 54 DARKLIGHT 220 / 240 V - 50 / 60 Hz - 54 W - G5 LAMPADINA INCLUSA - NON DIMMERABILE CAVO BIANCO - ROSONE BIANCO BULB INCLUDED - NOT DIMMABLE - WHITE CABLE - WHITE CEILING ROSE
		COD. 5072041 FLUORESCENT - 54 W - 3000K - 5000 lm - EFFICIENCY A+
149303	BIANCO OPACO / MATT WHITE	SPY 80 DARKLIGHT 220 / 240 V - 50 / 60 Hz - 80 W - G5 LAMPADINA INCLUSA - NON DIMMERABILE CAVO BIANCO - ROSONE BIANCO BULB INCLUDED - NOT DIMMABLE - WHITE CABLE - WHITE CEILING ROSE
		COD. 5072042 FLUORESCENT - 80 W - 3000K - 7000 lm - EFFICIENCY A
155003	BIANCO OPACO / MATT WHITE	SPY 80 PL DARKLIGHT - LAMPADA DA SOFFITTO - CEILING LAMP 220 / 240 V - 50 / 60 Hz - 80 W - G5 LAMPADINA INCLUSA - NON DIMMERABILE BULB INCLUDED - NOT DIMMABLE
		COD. 5072042 FLUORESCENT - 80 W - 3000K - 7000 lm - EFFICIENCY A