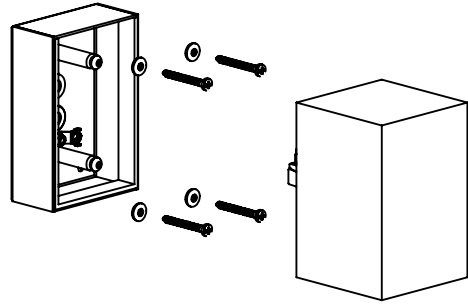


quant

instructions for use

1. Check mains connection, if disconnected.
2. Conduct mains cable through cable entry point of the wall bracket. Conduct aperture in cable entry point in such a way that density is assured.
3. Attach the wall bracket. Pay attention of position „top“. Use the washer gaskets with rubberized face showing to the wall bracket. At mounting holes which are not used arrange for density.
4. Hustle silicone-tubes over the power lines.
5. Establish protective conductor connection and conduct electrical junction.
6. Snap the light-housing to the wall bracket.



light technology:

IvyLight-technology
230V Power LED / 3000K
7,5 W/610 lm

 EEC

technical information:

operating voltage 230V / 50Hz



protection class



safety class 1



Luminaire is suitable for mounting on normal inflammable fixing surfaces.



conformity mark

maintenance:

Disconnect the electrical installation.

Check gaskets and clean or replace them if necessary.

Pay attention to the care instructions when cleaning the luminaire. Do not use a high pressure cleaner for cleaning.

This luminaire contains built-in LED lamps. The lamps cannot be replaced in the luminaire.

care:

Regularly clean luminaire from dirt and deposits.

See service documents:

Care of stainless steel rustless or coated surfaces.

safety:

We point out that the electric connection of light fixtures has to be done by a certified installer.

We assume no accountability for damages which are a result of non-appropriate mounting or application of the luminaire.

Modifications on the luminaire will result in loss of warranty.

Attention: Please note that some parts of this luminaire can produce temperatures higher than 90°C when it is in operation. To prevent burns, please avoid any contact!

Please keep the instructions with the service documents!