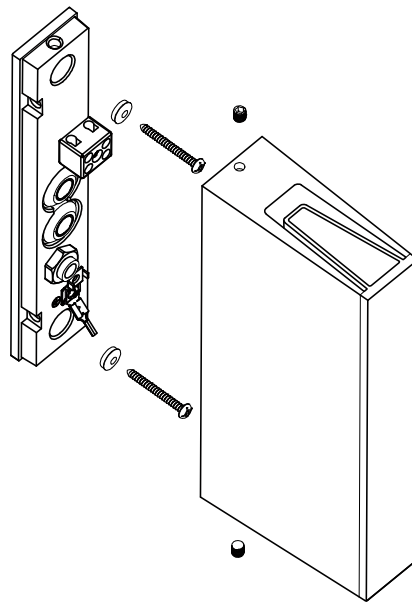


## gap Y


### instructions for use

1. Check mains connection, if disconnected.
2. Push main cable through cable entry part of the wall bracket and ensure tight seal.
3. Attach wall bracket. Pay attention of position „top“. Use the washer gaskets with rubberized face against to the wall bracket. Seal unused mounting holes.
4. Push silicone-tubes over power lines.
5. Establish ground connection and connect power lines.
6. Dimming: The luminaire can be dimmed with an approved leading- or trailing edge dimmer. Please contact IP44.de service center for a list of approved dimmers.
7. Attach light housing onto the wall bracket and screw it on.



#### light technology:

IvyLight-technology  
230V Power LED / 3000K  
10,8 W/680 lm


 EEC

#### technical information:

operating voltage 230V / 50Hz

 protection class

 safety class 1

 Luminaire is suitable for mounting on normal inflammable surfaces.

 conformity mark

#### maintenance:

Disconnect the electrical installation.

Check gaskets and clean or replace them if necessary.

Pay attention to the care instructions when cleaning the luminaire. Do not use a high pressure cleaner for cleaning.

This luminaire contains built-in LED lamps. The lamps cannot be replaced in the luminaire.

#### care:

Clean luminaire frequently.

See service documents:

Care of coated surfaces.

#### safety:

We point out that the electric connection of light fixtures has to be done by a certified installer.

We assume no accountability for damages which are a result of non-appropriate mounting or application of the luminaire.

Modifications on the luminaire will result in loss of warranty.

**Please keep the instructions with the service documents!**