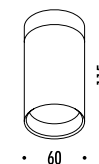


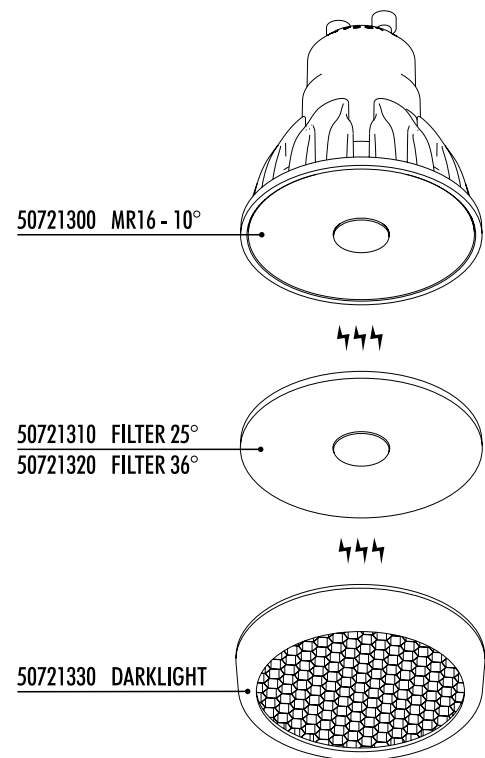
DESIGN OMAR CARRAGLIA - DAVIDE GROPPI - 2015
LAMPADA DA SOFFITTO - METALLO
CEILING LAMP - METAL
ENERGY CLASS: A++, A+, A

DOT PL

CE IP 20



185403	BIANCO OPACO / MATT WHITE	220 / 240 V - 50 / 60 Hz - MAX 10 W LED - GU10 LAMPADINA NON INCLUSA BULB NOT INCLUDED



CODE	SOCKET	TENSION	WATTAGE	BEAM ANGLE (°)	TEMPERATURE (K)	LUMINOUS FLUX	BULB EFFICIENCY	PRODUCT REFERENCE
------	--------	---------	---------	----------------	-----------------	---------------	-----------------	-------------------

LAMPADINA SORAA MR16 - DIMMERABILE / BULB SORAA MR16 - DIMMABLE

	5072130	GU10	230 V	7,5 W	3000K	400 lm	A+	DOT SISTEMA DOT P DOT PL DOT FRAMELESS TRICK TRACK MINI PL
--	---------	------	-------	-------	-------	--------	----	---

ACCESSORI "POINT SOURCE OPTICS" PER GENERARE FASCI UNIFORMI E DI ALTA INTENSITA'
"POINT SOURCE OPTICS" ACCESSORIES FOR UNIFORM AND HIGH INTENSITY BEAMS

5072131	FILTRO / FILTER	25°	DOT SISTEMA DOT P DOT PL DOT FRAMELESS TRICK TRACK MINI MINI BIT MINI PL
5072132	FILTRO / FILTER	36°	
5072133	DARKLIGHT		