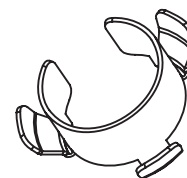
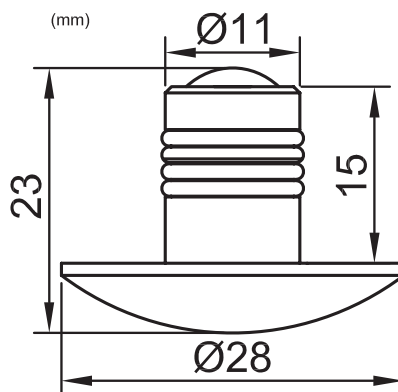


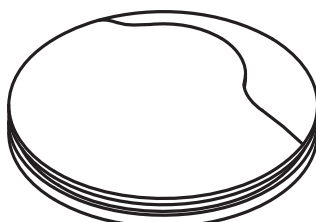
PRODUCT OVERVIEW

Current	Power	LED	Beam Angle	Dimensions	Material	IP Grade
350mA	1W	CREE	120°	D.Ø28mm x H.23mm	SS316 + Al	IP67

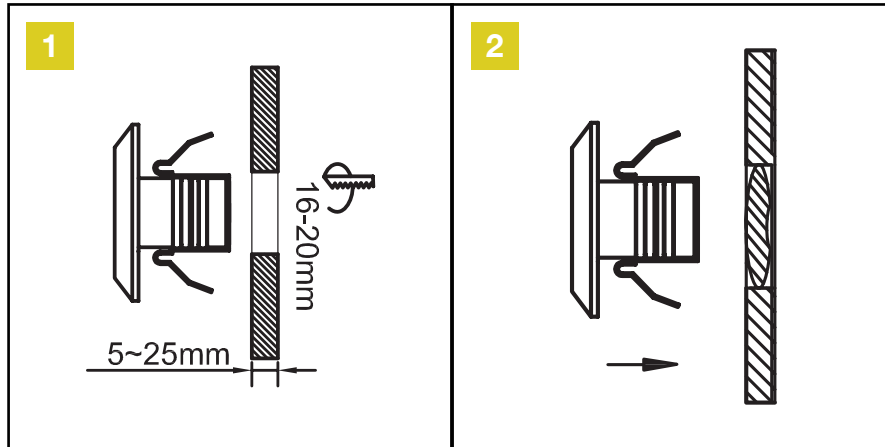


INSTALLATION, CLEANING AND MAINTENANCE

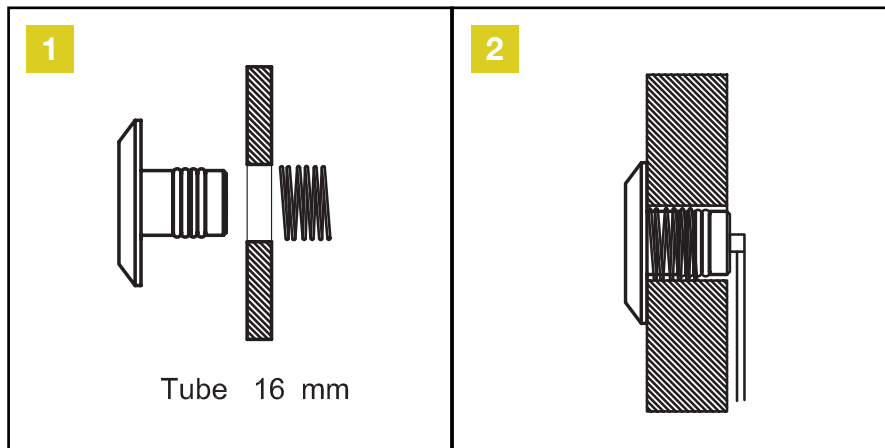
1. This LED luminaire must be connected in series to a 350mA constant current converter.
WARNING! Incorrect connection may damage the luminaire
2. Note the prescribed dimensions before installation
3. Ensure that the cables are not squeezed or damaged by sharp edges
4. Clean the appliance with a soft cloth and a standard PH neutral detergent
5. Stainless steel surfaces should be maintained regularly
6. Misuse of, or changes to the appliance shall nullify the guarantee
7. The manufacturer is free to change the design, specifications and instructions of assembly
8. Connect the luminaire to the converter before the converter is connected to the power source
9. The external flexible cable of this luminaire cannot be replaced; if the cord is damaged the luminaire needs to be replaced.



INSTALLATION INSTRUCTIONS - I



INSTALLATION INSTRUCTIONS - II



WIRED IN SERIES

