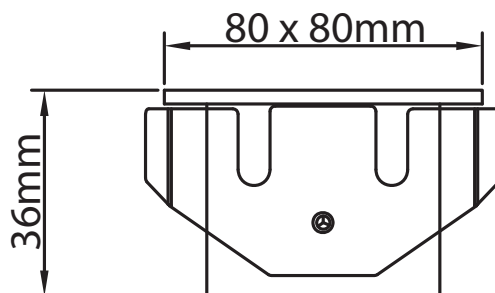
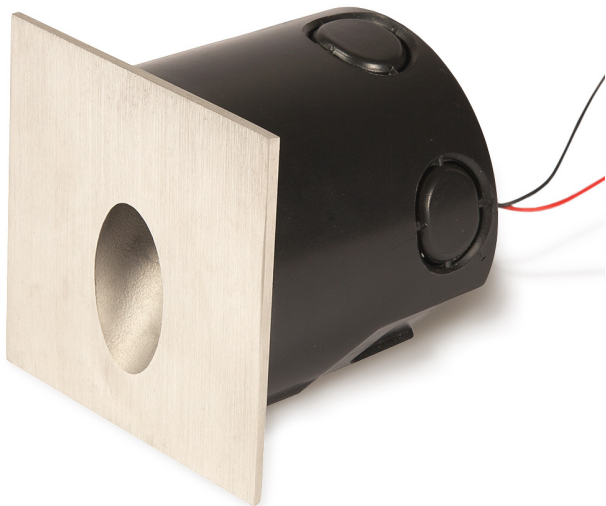


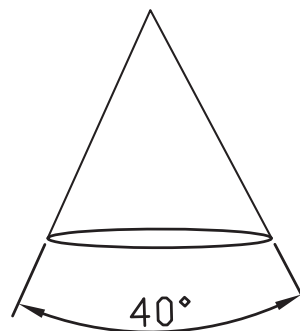
PRODUCT OVERVIEW

Current	Power	LED	CCT	Beam Angle	Dimensions	Material	IP Grade
24VDC	3W	CREE	2700K	40°	80x80mm x H.36mm	SS316	IP67

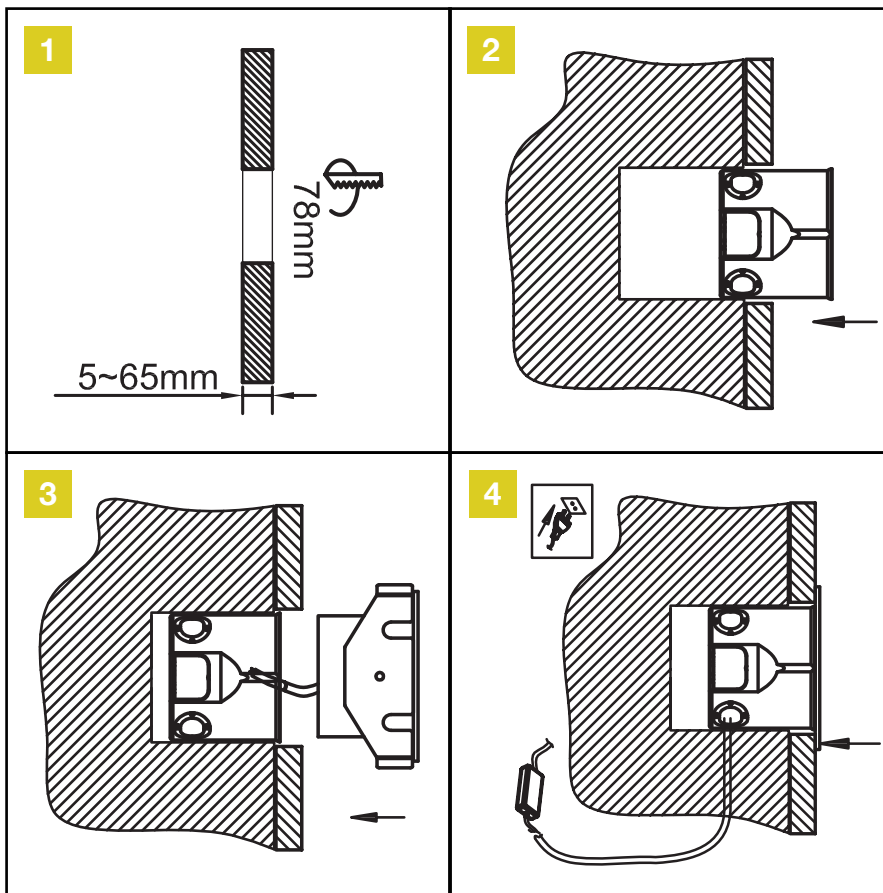


INSTALLATION, CLEANING AND MAINTENANCE

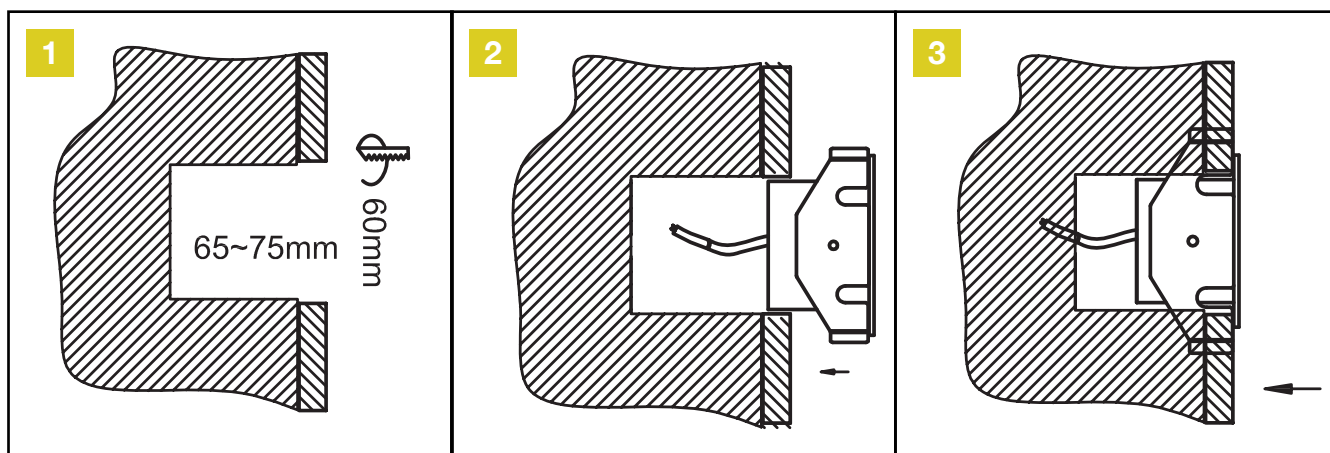
1. This LED luminaire must be connected to a constant voltage converter DC24V (wired in parallel). **WARNING!** Incorrect connection may damage the luminaire
2. Note the prescribed dimensions before installation
3. Ensure that the cables are not squeezed or damaged by sharp edges
4. Clean the appliance with a soft cloth and a standard PH neutral detergent
5. Stainless steel surfaces should be maintained regularly
6. Misuse of, or changes to the appliance shall nullify the guarantee
7. The manufacturer is free to change the design, specifications and instructions of assembly
8. Connect the luminaire to the converter before the converter is connected to the power source



INSTALLATION INSTRUCTIONS - Burial sleeve



INSTALLATION INSTRUCTIONS - Fixing only



PARALLEL WIRING

