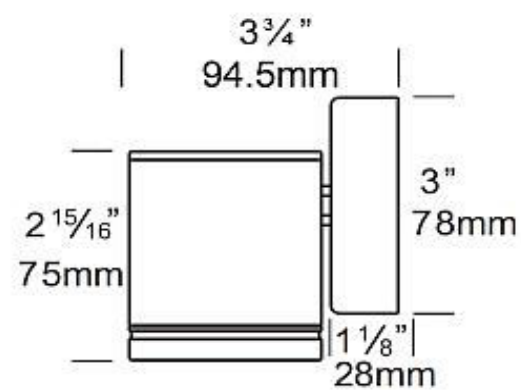
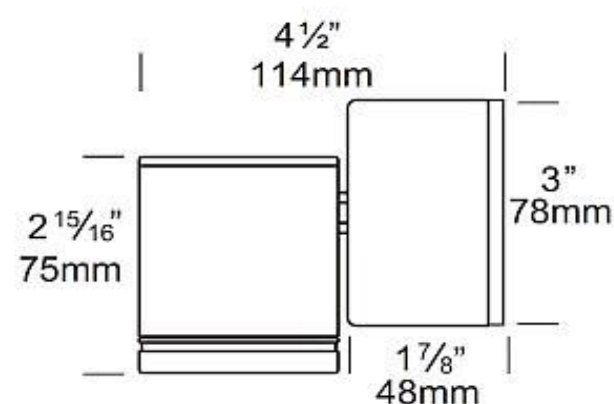


Wall Down Lite PURE LED

Cat. No. DL/L



Low Voltage



Retro™



PURE LED
Pure Performance

UK & European Specification

The Wall Down Lite PURE LED is suitable for mounting on timber, masonry, stone, etc. non-adjustable for one way wall washing, can be mounted with the lamp directed up or down. Water resistant with a 78mm diameter mounting base, complete with stainless steel screws.

This luminaire is machined from solid aluminium with a UV stable powder coat, solid 316 stainless steel or solid copper. It features an extra clear, low iron tempered flush lens and high temperature silicon gaskets.

The Hunza PURE LED system uses Cree MTG-2 chips for maximum performance and long life. Power supply options include a choice of integral 12 or 120/240 volt (Retro) drivers. There is an external remote (series connection) driver option also. The PURE LED system incorporates Hunza's Plug-and-Play system for easy replacement of the LED engine. Four beam angles, and a choice of a Warm or Cool White colour temperatures are available.

* At 700mA this fitting is the equivalent of a 35w halogen fitting.

* At 1050mA this fitting is the equivalent of a 50w halogen fitting.

Ordering Information

| Luminaire | Driver mA | Beam Angle | Colour Temp | Material/Finish |
|-----------|------------------|-------------------|-----------------------|--------------------|
| DL/L | S - Series | 15 - 15° TIR Lens | 2 - 2700K | BK - Black |
| | D7 - 12v 700mA | 25 - 25° TIR Lens | 3 - 3000K | BZ - Bronze |
| | D10 - 12v 1050mA | 38 - 38° TIR Lens | 4 - 4000K | GN - Green |
| | RE - 240v Retro | 60 - 60° TIR Lens | | STAR - Silver Star |
| | RU - 110v Retro | | | WH - White |
| | | | Accessories | WB - Birch |
| | | | GG - Glare Guard | DG - Dark Grey |
| | | | STEPF - Frosted Lens | OG - Olive Green |
| | | | WB - Wall Box Adaptor | RG - Beige |
| | | | HCL - Hex Cell Louve | PR - Primrose |
| | | | | COP - Copper |
| | | | | SS - 316 Stainless |

Example: DL/L S 15 2 GG BK

Luminaire Construction

CNC machined from the following metal:

High corrosion resistant 63.5mm (2½") x 10mm (25/64") aluminium.

Endcap: Solid 63.5mm (2½") aluminium

Base and Mounting Plate:
Cast from virgin high corrosion resistant CC401 low copper aluminium alloy chromate substrate and high UV resistant polyester powder coat colours Black, Bronze, Green, Silver Star, White, Birch, Dark Grey, Olive Green, Beige, Primrose.

Body: 63.5mm (2½") x 10mm (25/64") copper

Base: Handspun 2mm (5/64")

Mounting Plate (Retro™): Forged brass

Body: 63.5mm (2½") x 10mm (25/64") stainless steel rod.

Base and Mounting Plate (Retro™): Investing cast and CNC machined.

Luminaire Weight

12 volt Alum .460kg (1lb)
Cop 1.200kg (2lb 10oz)
SS 1.080kg (2lb 6oz)

Retro™ Alum .780kg (1lb 11oz)
Cop 1.680kg (3lb 11oz)
SS 1.505kg (3lb 5oz)

Features

Lens:
10mm (3/8") extra clear low iron flush fit shatter resistant glass.
Lifetime Warranty.

Gasket: Silicone, iron impregnated 220°C (428°F)

Accessories:
Cable Joint Kit (Cat. CJK150)
Frosted Lens (Cat. STEPF)
Wall Box Adaptor (Cat. WB)
Glare Guard (Cat. GG)

Mounting:
12 volt: the luminaire is mounted to the wall using two 316 stainless screws through a shallow base 16mm (5/8") in depth.

Retro™ luminaire (110/240-12volt): a mounting plate is fixed to the wall using two screws and the luminaire is fitted to the mounting plate.

Technical Information

Standards
AS/NZS61046
IP66 UL1838

LED
Cree MTG-2 Plug and Play, field replaceable LED board.

Lumen Output: 510 at 1050mA
Lumens Per watt: 85 at 6 watts
CRI Warm White (3000k): 85+
Colour Temp: 2700K, 3000K and 4000K

Power Supply

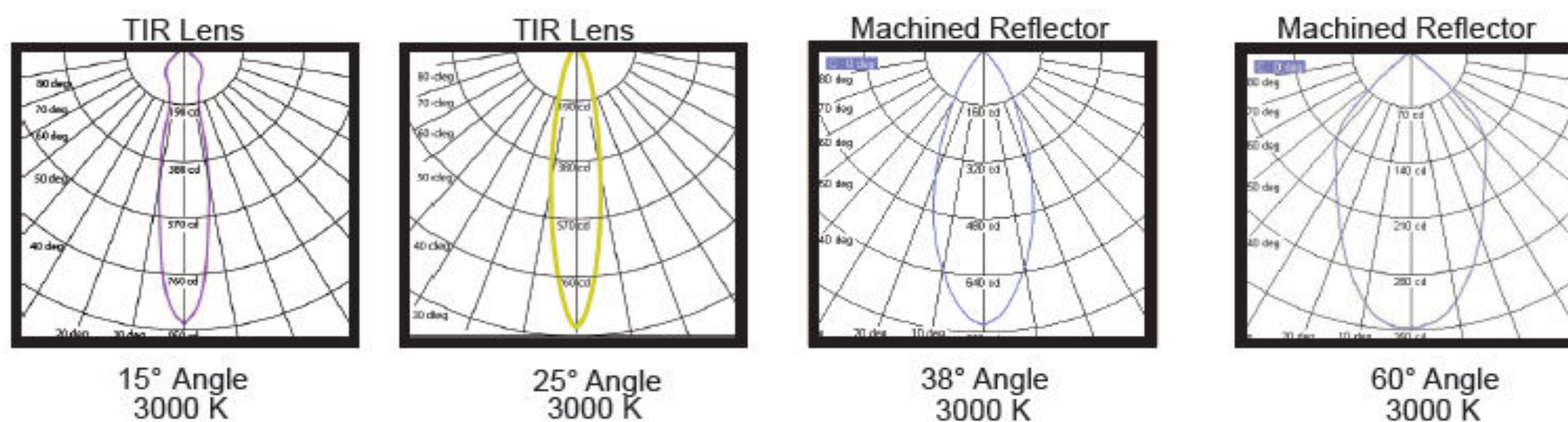
Series (External) Driver
Constant current driver
Output: 6vdc at 1050mA maximum


Integral 12 Volt Driver
Hunza™ Plug and Play Driver
Input: 12vac, 7 watt total
Output: 6vdc nominal, 350 / 700 / 1050mA

Transformer
Hunza™ Wall Mount Transformer for use with integral 12 volt driver

Retro 110/240 Volt Driver
Hunza™ Retro Driver
Input: 120/240vac, 5 watt total
Output: 6vdc, 700mA
0-10 volt dimming

Reflector Beam Angles



| | | | |
|--|---|---|---|
|  <p>PURE OUTDOOR LIGHTING</p> | <p>HUNZA FACTORY 130 Felton Mathew Ave Saint Johns Auckland 1072 New Zealand</p> | <p>Ph: 64-9-528 9471 Fax: 64-9-528 9361 hunza@hunza.co.nz www.hunza.co.nz</p> | <p>INTERNATIONAL CONTACTS: www.hunza.co.nz/contacts.php</p> <p>Specifications may change without notice. Manufactured in New Zealand. © 2014 Hunza Holdings Ltd.</p> |
|--|---|---|---|