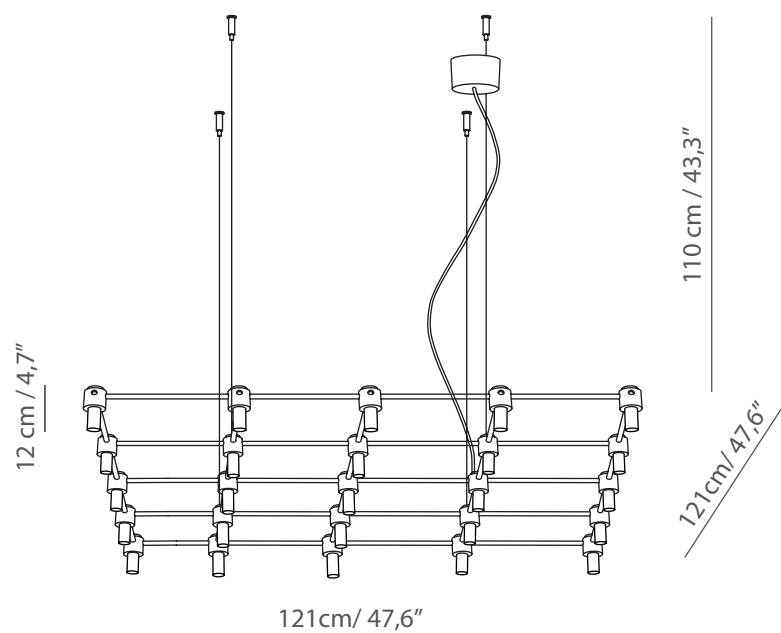


QUADRANTE suspension



QUADRANTE / suspension lamp

Roberto Giacomucci designer

● **C74** Nero bucciato / Black rough

○ **C80** Bianco sabbia / Sand white

Sospensione/Suspension

code: **505.25** L 121 W 121 H 12 cm 25 x MAX 10W - G9