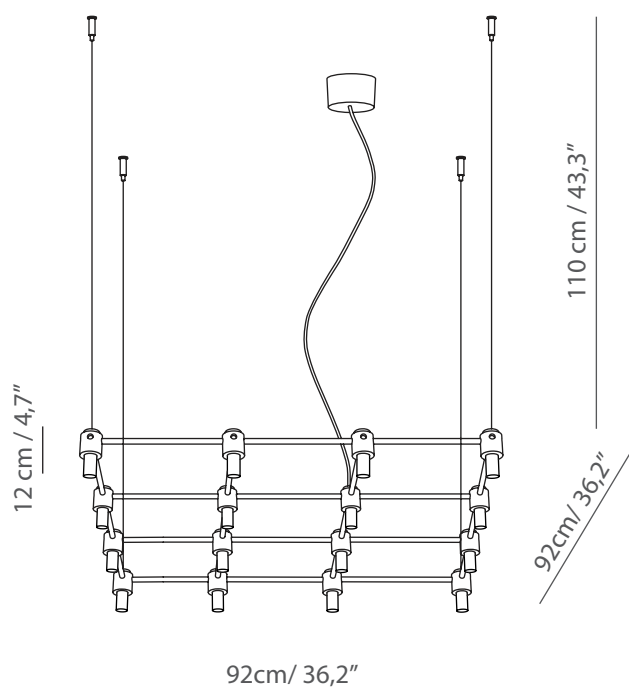


# QUADRANTE suspension



## QUADRANTE / suspension lamp

Roberto Giacomucci designer

● C74 Nero bucciato / Black rough

○ C80 Bianco sabbia / Sand white

Sospensione/Suspension

code: **505.16**

L 92 W 92 H 12 cm

16 x MAX 10W - G9