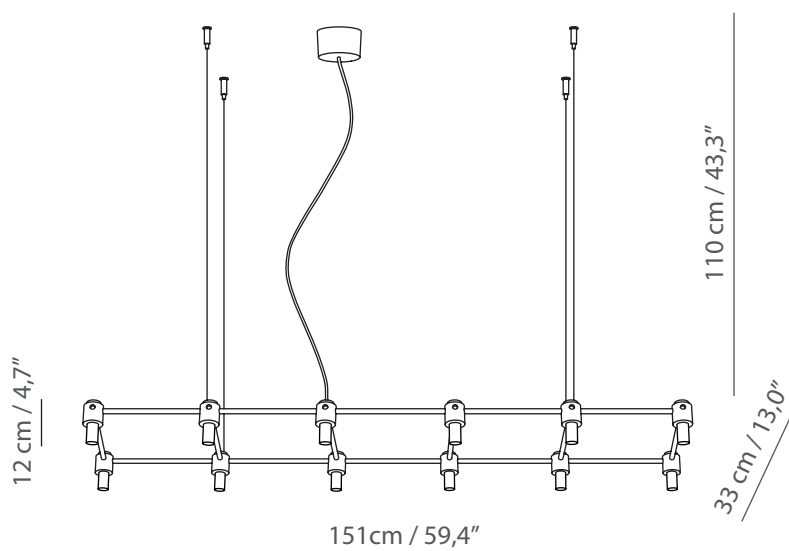


QUADRANTE suspension



QUADRANTE / suspension lamp

Roberto Giacomucci designer

● C74 Nero bucciato / Black rough

○ C80 Bianco sabbia / Sand white

Sospensione/Suspension

code: **505.12**

L 33 W 151 H 12 cm

12 x MAX 10W - G9