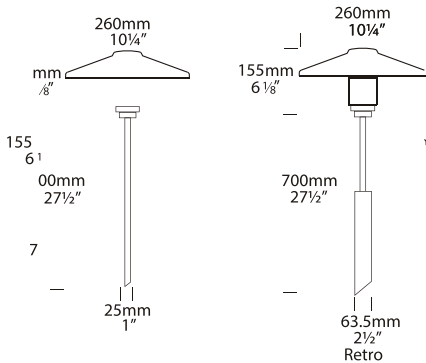


Tier Lite PURE LED

Cat. No. TL/L



PURE LED
Pure Performance

The Tier Lite PURE LED is designed for illuminating medium level foliage. It is mounted on a 700mm pole to provide a soft pool of light suitable for a wide variety of landscape situations.

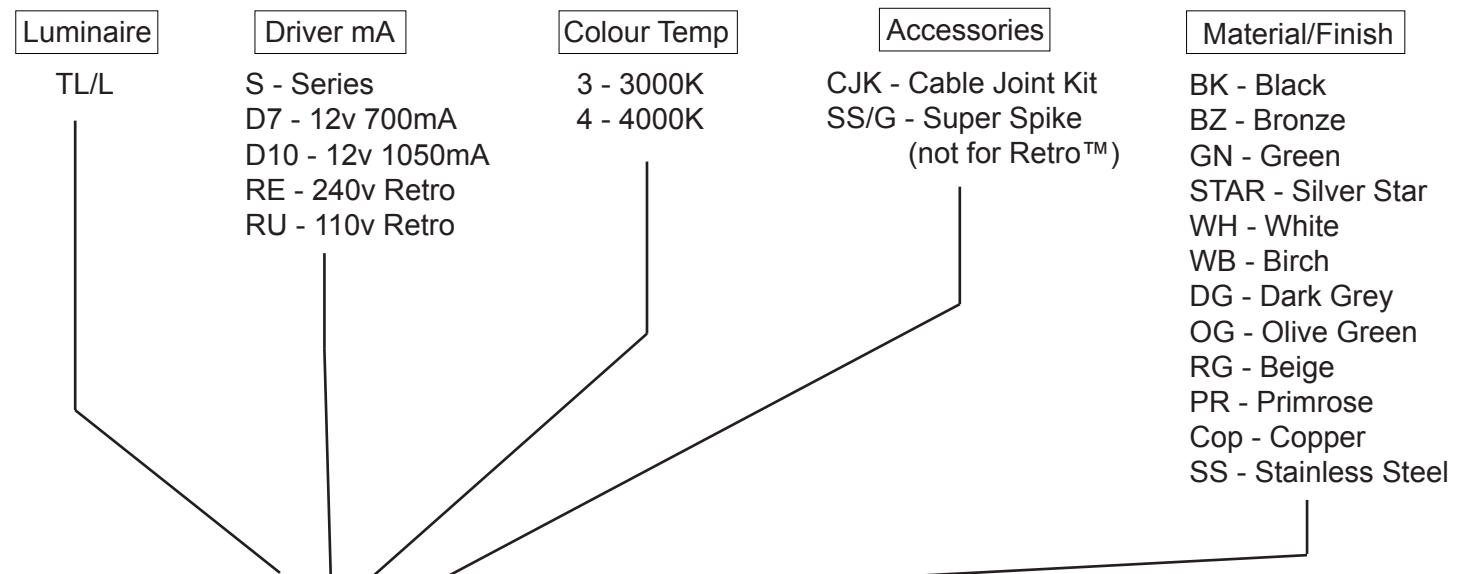
The Retro™, which is a mains option, avoids the need to bury a transformer. The 110/240-12v driver is built into the pole and is a double insulated safety isolating transformer. This changes the luminaire to an IP56 rating.

This luminaire is machined from 63.5mm solid aluminium with a UV stable powder coat or solid 316 stainless steel or natural copper. It features a polycarbonate and high temperature silicon gaskets.

The Hunza PURE LED system uses Cree MTG-2 chips for maximum performance and long life. Power supply options include a choice of integral 12 or 110/240 volt (Retro) drivers. There is also an external remote (series connection) driver option. The PURE LED system incorporates Hunza's Plug-and-Play system for easy replacement of the LED engine. A choice of a Warm or Cool White colour temperatures is available.

*At 700mA this fitting is the equivalent of a 35w halogen fitting.
*At 1050mA this fitting is the equivalent of a 50w halogen fitting.

Ordering Information



Ordering Example: TL/L S 3 SS/G BK

HUNZA™ PURE
OUTDOOR
LIGHTING

HUNZA FACTORY
130 Felton Mathew Ave
Saint Johns
Auckland 1072
New Zealand

Ph: 64-9-528 9471
Fax: 64-9-528 9361
hunza@hunza.co.nz
www.hunza.co.nz

INTERNATIONAL CONTACTS:
www.hunza.co.nz/contacts.php

Specifications may change without notice.
Manufactured in New Zealand.
© 2014 Hunza Holdings Ltd.

Luminaire Construction

CNC machined from one of the following metals:

Aluminium

Body - 63.5mm (2½") x 10mm (25/64") aluminium. Pole - High corrosion resistant 25.4mm (1") x 1.42mm (1/16") aluminium.

Endcap - solid 63.5mm (2½") aluminium rod, with chromate substrate and high UV resistant polyester powder coat colours Black, Bronze, Green, Silver Star, White, Birch, Dark Grey, Olive Green, Beige, Primrose.

Copper

Body - 63.5mm (2½") x 10mm (25/64") copper. Pole - 25.4mm (1") x 1.42mm (1/16") copper. Endcap - solid 63.5mm (2½") copper rod.

Stainless Steel

Body - 63.5mm (2½") x 10mm (25/64") 316 SS. Pole - 25.4mm (1") x 1.42mm (1/16") 316 SS. Endcap - solid 63.5mm (2½") 316 stainless steel rod.

Retro™

Pole - 25.4mm (1") x 410mm (16") tube.
Transformer Pole - 63.5mm (2½") x 10mm (25/64") tube.

Luminaire Weight

12 volt Alum 0.915kg (2lb)
Cop 1.590kg (5lb 11oz)
SS 1.450kg (3lb 3oz)

Retro™ Alum 2.000kg (4lb 6oz)
Cop 3.000kg (6lb 9oz)
SS 2.900kg (6lb 6oz)

Luminaire Features

Lens:

UV stable polycarbonate.

Anti-glare Hood:

260mm (10¼") x 1.2mm (1/16") handspun aluminium, cooper or 316 stainless steel.
No upward light or glare projected.

Gasket:

Silicone, iron impregnated 220°C (428°F)

Accessories:

Cable Joint Kit (Cat. CJK150)
Not approved for USA/Canada.
Super Spike (Cat. SS/G)
Not for Retro™ option.

Mounting

The 700mm (27½") is directly mounted into the earth. For extra stability in sand or loose ground use Hunza Super Spike.
Retro™ to be set in concrete.

Tehcnical Information

Standards

IP56/IP66 UL 1838

LED

Cree MTG-2 Plug and Play, field replaceable LED board.

Lumen Output: 510 lm at 1050mA

Lumens Per watt: 85 at 6watts

CRI Warm White (3000k): 85+

Colour Temp: 3,000 or 4,000K

Power Supply

Series (External) Driver

Constant current driver
Output: 6vdc at 1050mA maximum

Integral 12 Volt Driver

Hunza™ Plug and Play Driver
Input: 12vac, 7 watt total
Output: 6vdc nominal, 350 / 700 / 1050mA

Transformer

Hunza™ Wall Mount Transformer for use with integral 12 volt driver

Retro 110/240 Volt Driver

Hunza™ Retro Driver
Input: 120/240vac, 5 watt total
Output: 6vdc, 700mA
0-10 volt dimming
(USA - non dimming)