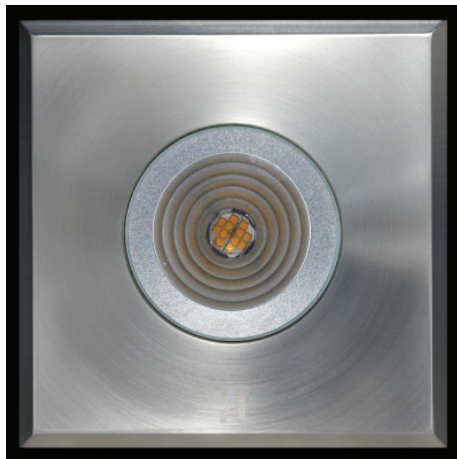
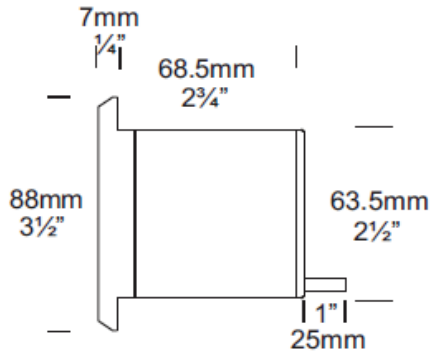


# Step Lite Square PURE LED

Cat. NO SLSQ/L



PURE LED  
Pure Performance



The Step Lite Square PURE LED is designed with a 88mm x 88mm (3 1/2" x 3 1/2") flange for flush mounting into masonry, stone or wood. This luminaire is ideal for illumination of steps and ground level horizontal lighting, for example, across driveways or exterior paved areas. When a canister is used there are no mounting holes in the flange.

The PURE LED system uses Cree MTG-2 chips for maximum performance and long life. Power supply options include a choice of integral 12 volt or remote driver. The PURE LED system incorporates an innovative Plug-and-Play system for easy replacement or upgrade of either the LED engine or integral driver.

\*At 700mA this fitting is the equivalent of a 35w halogen fitting.  
\*At 1050mA this fitting is the equivalent of a 50w halogen fitting.

## Ordering Information

Luminaire	Driver mA	Beam Angle	Colour Temp	Accessories	Material/Finish
SLSQ/L	S - Series D7 - 700mA D10 - 1000mA	15 - 15° TIR Lens 25 - 25° TIR Lens 38 - 38° TIR Lens 60 - 60° TIR Lens	2 - 2700K 3 - 3000K 4 - 4000K	CJK150 - Cable Joint Kit LENSSTEPF - Frosted HCL - Hex Cell Louvre SLCAN - Step Canister CANSS - 316 Stainless Canister	BK - Black BZ- Bronze GN- G reen STAR- Silver Star WH - White COP - Copper WB - Birch DG - Dark Grey OG - Olive Green RG - Beige PR - Primrose SS - Stainless

Ordering Example: SLSQ/L S 15 3 CJK150 SS

**HUNZA**™ PURE OUTDOOR LIGHTING

HUNZA FACTORY  
130 Felton Mathew Ave  
Saint Johns  
Auckland 1072  
New Zealand

Ph: 64-9-528 9471  
Fax: 64-9-528 9361  
hunza@hunza.co.nz  
www.hunza.co.nz

INTERNATIONAL CONTACTS:  
www.hunza.co.nz/contacts.php

Specifications may change without notice.  
Manufactured in New Zealand.  
© 2015 Hunza Holdings Ltd.

## Luminaire Construction

### CNC machined from one of the following metals:

High corrosion resistant 63.5mm (2½") x 10mm (25/64") aluminium.

End cap - solid aluminium 63.5mm (2½") rod, flange 90mm x 90mm (3½" x 3½") solid aluminium bar with chromate substrate and high UV resistant polyester powder coat  
**Colours** Black, Bronze, Green, Silver Star, White, Birch, Dark Grey, Olive Green, Beige, Primrose.

**Copper:** 63.5mm (2½") x 10.5mm (13/32"). End cap - solid copper 63.5mm (2½") rod. Flange 90mm x 90mm (3½" x 3½") solid copper bar.

**Stainless steel:** 9mm (11/32") End cap - solid 316 stainless steel 63.5mm (2½") bar. Flange 90mm x 90mm (3½" x 3½") solid 316 stainless steel bar.

### Luminaire Weight

Alum .465kg (1lb)  
Cop 1.340kg (2lb 15oz)  
SS 1.055kg (2lb 5oz)

## Features

### Lens:

10mm (3/8") extra clear low iron flush fit shatter resistant glass.  
Lifetime Warranty.

### Gasket:

Silicone, iron impregnated 220°C (428°F)

### Accessories:

Cable Joint Kit (Cat. CJK150)  
Frosted Lens (Cat. LENSSTEPF).  
Hex Cell Louvre Adaptor (Cat. HCL).  
Step Canister (Cat. Slcan).  
316 Stainless Canister for use in lime stone etc. (Cat. Canss).

### Mounting

Designed to fit through a 66mm (2 5/8") hole and be fixed into position by two screws in the flange or a Step Lite canister (see accessories) can be used which maintains the aesthetic look of the flange by eliminating the two screw holes in the flange.

## Technical Information

### Standards

AS/NZS 61046  
IP56/IP66 UL 1838

### LED

Cree MTG-2 Plug and Play, field replaceable LED board.

**Lumen Output:** 600 at 1050mA  
**Lumens Per watt:** 100 at 6 watts  
**CRI Warm White (3000k):** 85+  
**Colour Temp:** 2700K, 3000K and 4000K

### Power Supply

#### Series (External) Driver

Constant current driver  
Output: 6vdc at 1050mA maximum

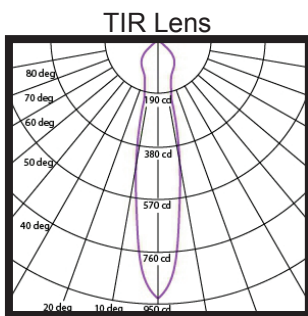
#### Integral 12 Volt Driver

Hunza™ Plug and Play Driver  
Input: 12vac, 7 watt total  
Output: 6vdc nominal, 350 / 700 / 1000mA

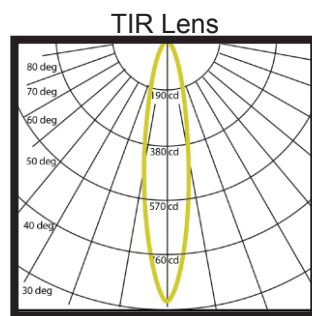
#### Transformer

Hunza™ Wall Mount Transformer for use with integral 12 volt driver

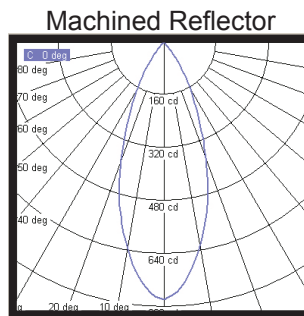
## Reflector Beam Angles



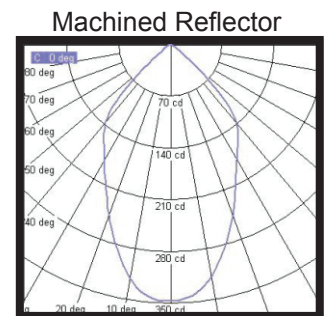
15° Angle  
3000 K



25° Angle  
3000 K



38° Angle  
3000 K



60° Angle  
3000 K

**HUNZA**™ PURE  
OUTDOOR  
LIGHTING

HUNZA FACTORY  
130 Felton Mathew Ave  
Saint Johns  
Auckland 1072  
New Zealand

Ph: 64-9-528 9471  
Fax: 64-9-528 9361  
hunza@hunza.co.nz  
www.hunza.co.nz

INTERNATIONAL CONTACTS:  
www.hunza.co.nz/contacts.php

Specifications may change without notice.  
Manufactured in New Zealand.  
© 2015 Hunza Holdings Ltd.