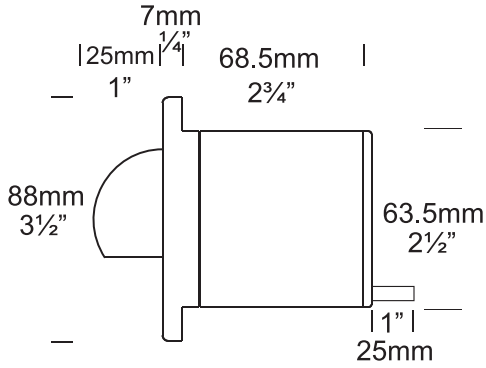


# Step Lite Solid Eyelid Square PURE LED

Cat. No. SLSSQ/L



**PURE LED**  
Pure Performance

The Step Lite Solid Eyelid Square Pure LED has a smooth machined finish without mounting holes to disrupt the elegant line of the fitting and is designed to fit into a mounting canister. The eyelid masks two thirds of the lamp which eliminates all upwards light.

The Hunza PURE LED system uses the latest Cree MTG-2 LED chips for maximum performance and long life. Power supply options include a choice of integral 12 volt driver or an external remote driver. The PURE LED system incorporates an innovative Plug- and-Play system for easy replacement or upgrade of either the LED engine or integral driver. A choice of Warm or Cool White is available.

\* At 700mA this fitting is the equivalent of a 35w halogen fitting.

\* At 1050mA this fitting is the equivalent of a 50w halogen fitting.

## Ordering Information

Luminaire	Driver mA	Colour Temp	Accessories	Material/Finish
SLSSQ/L	S - Series D3 - 12v/350mA D7 - 12v/700mA D10 - 12v/1050mA	2 - 2700K 3 - 3000K 4 - 4000K 39 - 3000K (90+ CRI)	CJK150 - Cable Joint Kit STEPF - Frosted Lens HCL - Hex cell Louvre SLCAN - Step Lite Canister CANSS - Step Lite Canister Stainless Steel DKCAN - Deck Canister	BK - Black BZ - Bronze GN - Green STAR - Silver Star WH - White WB - Birch DG - Dark Grey OG - Olive Green RG - Beige PR - Primrose SS - Stainless Steel COP - Copper

Ordering Example: SLSSQ/L S 3 HCL BK

**HUNZA**™  
PURE  
OUTDOOR  
LIGHTING

HUNZA FACTORY  
130 Felton Mathew Ave  
Saint Johns  
Auckland 1072  
New Zealand

Ph: 64-9-528 9471  
Fax: 64-9-528 9361  
hunza@hunza.co.nz  
www.hunza.co.nz

INTERNATIONAL CONTACTS:  
www.hunza.co.nz/contacts.php

Specifications may change without notice.  
Manufactured in New Zealand.  
© 2015 Hunza Holdings Ltd.

## Luminaire Construction

**CNC machined from one of the following metals:**

**Aluminium:** High corrosion resistant 63.5mm (2½") x 10mm (25/64") aluminium. End cap - solid aluminium 63.5mm (2½") rod, flange 90mm (3½") solid aluminium rod with chromate substrate and high UV resistant polyester powder coat

**Colours** Black, Bronze, Green, Silver Star, White, Birch, Dark Green, Olive Green, Beige, Primrose.

**Copper:** 63.5mm (2½") x 10mm (13/32"). End cap - solid copper 63.5mm (2½") rod. Flange 90mm (3½") solid copper rod.

**316 Stainless Steel:** 9mm (11/32"). End Cap - solid 316 stainless steel 63.5mm (2½") rod. Flange 90mm (3½") solid 316 stainless steel rod.

### Luminaire Weight

Alum .465kg (1lb)  
Cop 1.340kg (2lb 15oz)  
SS 1.055kg (2lb 5oz)

## Luminaire Features

### Lens:

3mm (1/8") extra clear low iron flush fit shatter resistant glass. Lifetime Warranty.

### Gasket:

Silicone, iron impregnated 220°C (428°F)

### Accessories

Cable Joint Kit (Cat. CJK150)  
Frosted Lens (Cat. LENSSTEPF)  
Hex Cell Louvre (Cat. HCL)  
Step Canister (Cat. SLCAN)  
316 Stainless Canister for use in lime stone etc. (Cat. CANSS)

### Mounting

Designed to fit through a 66mm (2 5/8") hole and be fixed into position by two screws in the flange or a Step Lite canister (see accessories) can be used which maintains the aesthetic look of the flange by eliminating the two screw holes in the flange.

## Technical Information

### Standards

AS/NZS 61046  
IP67 UL 1838

### LED

Cree MTG-2 Plug and Play, field replaceable LED board.

**Lumen Output:** 600 at 1050mA  
**Lumens Per watt:** 100 minimum  
**CRI Warm White (3000k):** 85+  
**Colour Temp:** 2700K, 3000K and 4000K  
**High CRI Option (3000K):** 90+  
(lumen output decreases by 15%)

### Power Supply

#### Series (External) Driver

Constant current driver  
Output: 6vdc at 1050mA maximum

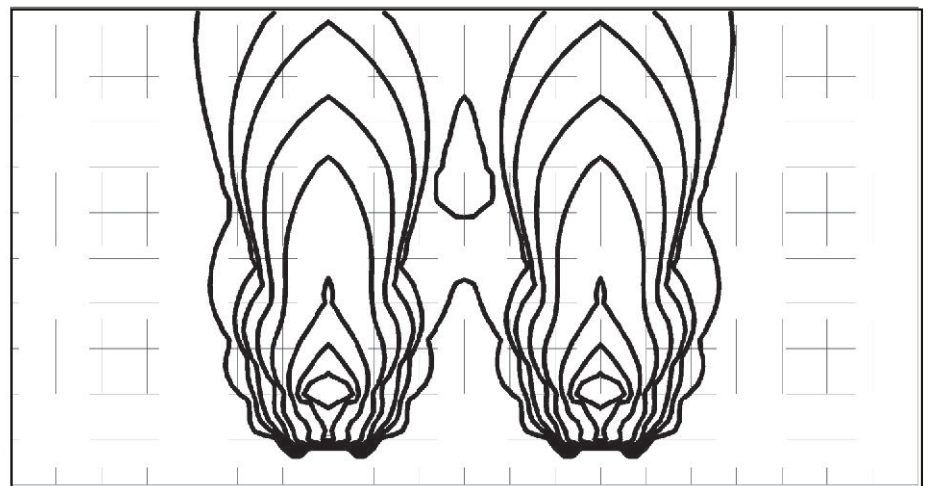
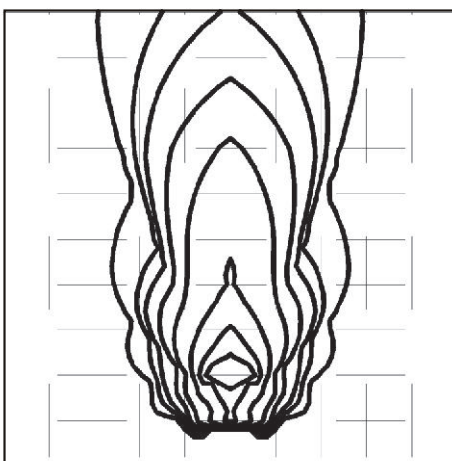
#### Integral 12 Volt Driver

Hunza™ Plug and Play Driver  
Input: 12vac, 8 watt total  
Output: 6vdc nominal, 350 / 700 / 1050mA (1050mA limited ≤ 40° Ambient temperature in Stainless Steel)

#### Transformer

Hunza™ Wall Mount Transformer for use with integral 12 volt driver

700mA Driver - Lens Height 400mm (15.75")



Isolux Lumens Plot - Footcandles = Isolux figures divided by 10.76

**HUNZA**™ PURE  
OUTDOOR  
LIGHTING

HUNZA FACTORY  
130 Felton Mathew Ave  
Saint Johns  
Auckland 1072  
New Zealand

Ph: 64-9-528 9471  
Fax: 64-9-528 9361  
hunza@hunza.co.nz  
www.hunza.co.nz

INTERNATIONAL CONTACTS:  
www.hunza.co.nz/contacts.php

Specifications may change without notice.  
Manufactured in New Zealand.  
© 2015 Hunza Holdings Ltd.