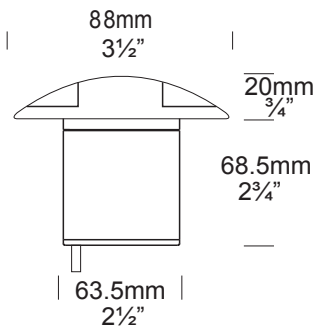
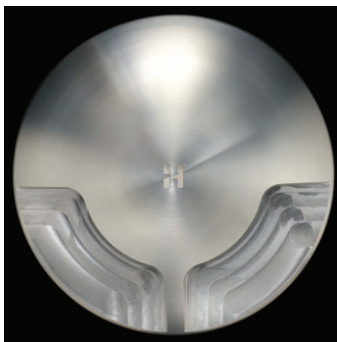


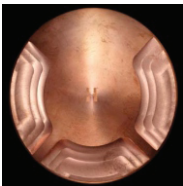
**Path Lite
PURE LED**
Cat. No. PL(1-4)/L



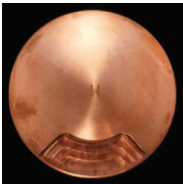
Path Lite 1-180°



3-270° Beam



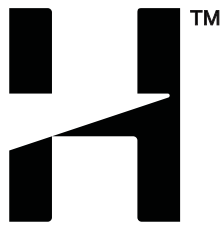
4-360° Beam



1-90° Beam



2x90° Beam



PURE LED
Pure Performance

The Path Lite Pure Led is ideal for lighting flat areas, deckspaved courtyards, and edge lighting paths. The frosted Borosilica dome glass lens has been developed to prevent dirt, mud, grass clippings or water from entering the optics area, keeping with its IP68 rating. In addition, the glass lens retains the sealing gasket and significantly reduces glare through 1, 2, 3 or 4 facets. The Path Lite 2 facets may be used as a step light in a wall or fence, etc. to shine light up and down.

The Hunza PURE LED system uses Cree MT-G2 chip for maximum performance and long life. Power supply options include a choice of integral 12 volt or an external remote (series connection) drivers. The PURE LED system incorporates Hunza's Plug-and-Play system for easy replacement of either the LED engine or integral driver in the field. A choice of Warm or Cool White colour temperatures is available.

The Path Lite Stainless Flanges are very durable and can withstand static weight loads between 1700kg and 3500kg.

*At 700mA this fitting is the equivalent of a 35w halogen fitting.
*At 1000mA this fitting is the equivalent of a 50w halogen fitting.

Ordering Information

Luminaire	Driver mA	Colour Temp	Accessories	Material/Finish
PL1/L PL2/L PL3/L PL4/L	S - Series D7 - 12v 700mA D10 - 12v 1050mA	3 - 3000K 4 - 4000K	CJK150 SLCAN CANSS FLCAN DKCAN	COP - Copper SS - 316 Stainless

Ordering Example: PL1/L S 3 CJK150 SS



HUNZA FACTORY
130 Felton Mathew Ave
Saint Johns
Auckland 1072
New Zealand

Ph: 64-9-528 9471
Fax: 64-9-528 9361
hunza@hunza.co.nz
www.hunza.co.nz

INTERNATIONAL CONTACTS:
www.hunza.co.nz/contacts.php
Specifications may change without notice.
Manufactured in New Zealand.
© 2014 Hunza Holdings Ltd.

Luminaire Construction

CNC machined from one of the following metals:

Copper

Body: 63.5mm (2½") x 9mm (⅓") copper tube - Endcap: 63.5mm (2½") copper rod - Flange: 90mm (3½") copper rod.

316 Stainless Steel

Body: 63.5mm (2½") x 9mm (⅓") Stainless Steel - Endcap: 63.5mm (2½") stainless steel rod - Flange: 90mm (3½") stainless steel rod.

Luminaire Weight

Cop .600kg (1lb 5oz)
SS .510kg (1lb 2oz)

Luminaire Features

Lens:

3mm thick frosted Borosilica dome glass.
Lifetime Warranty.

Gaskets:

Silicone, iron impregnated 220°c (428°f).

Accessories:

Cable Joint Kit (Cat. CJK150)
Floor Canister (Cat. FLCAN)
Deck Canister (Cat. DKCAN)
Step Lite Canister (Cat. SLCAN)
Step Lite Canister 316 Stainless Steel (Cat. CANSS)

Mounting

Floor Lite canister (see accessories) can be used for casting into concrete or a Deck Lite canister for mounting into a wooden deck. Two screw holes in the flange can be specified if canisters are not required.

Technical Information

Standards

AS/NZS 61046
IP56/IP66 UL 1838

LED

Cree MTG-2 Plug and Play, field replaceable LED board.

Lumen Output: 510 at 1050mA

Lumens Per watt: 85 at 6watts

CRI Warm White (3000k): 85+

Colour Temp: 3,000 and 4,000K

Power Supply

Series (External) Driver

Constant current driver
Output: 6vdc at 1050mA maximum

Integral 12 Volt Driver

Hunza™ Plug and Play Driver
Input: 12vac, 7 watt total
Output: 6vdc nominal, 350 / 700 / 1050mA

Transformer

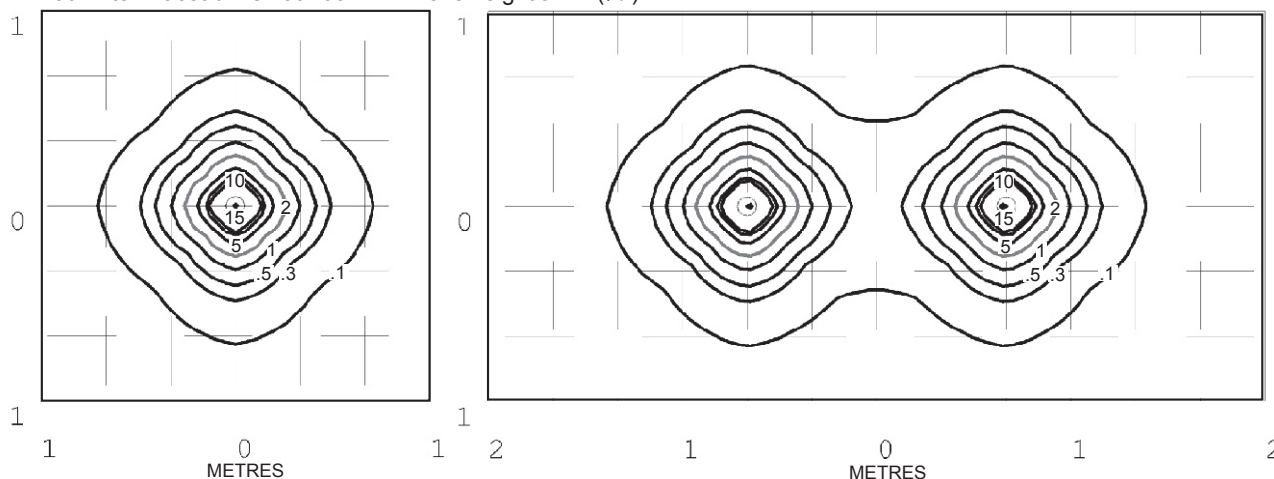
Hunza™ Wall Mount Transformer for use with integral 12 volt driver

Hunza Path Lite Static Load Rating (316 Stainless Steel)

Code	Description	Onset of plastic deformation (kN)	Suggested rating
PL1-90 SS	Single Facet	35	3500kg (7716lb)
PL1 SS	Two Facet 180°	26	2650kg(5842lb)
PL2 SS	Two Facet 90°	20	2000kg(4409lb)
PL3 SS	Three Facet	19	1900kg(4189lb)
PL4 SS	Four Facet	17	1700kg(3748lb)

Note: 1 Kilonewton (kN) equals 101.972 Kilograms (KG's)

Path Lite 4 facet driven at 700mA - Lens height 5mm (¼")



Isolux Lumens Plot - Footcandles = Isolux figures divided by 10.76

HUNZA™ PURE
OUTDOOR
LIGHTING

HUNZA FACTORY
130 Felton Mathew Ave
Saint Johns
Auckland 1072
New Zealand

Ph: 64-9-528 9471
Fax: 64-9-528 9361
hunza@hunza.co.nz
www.hunza.co.nz

INTERNATIONAL CONTACTS:
www.hunza.co.nz/contacts.php

Specifications may change without notice.
Manufactured in New Zealand.
© 2014 Hunza Holdings Ltd.