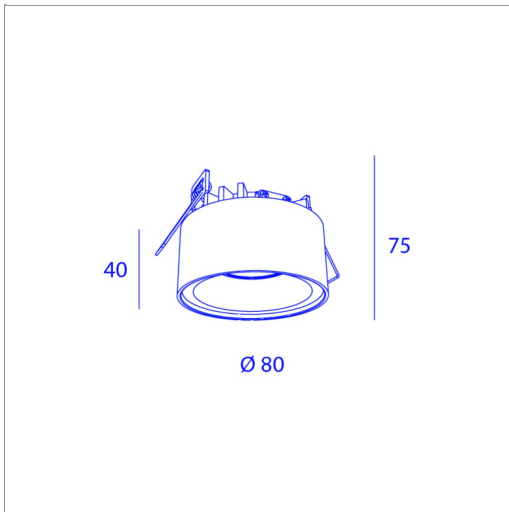


BORDER CONE HALF UP

1X CONE COB LED MAX700LM LM

WH/WH BS82271D CL7_30



BS82271D CL7_30



SPECIFICATIONS

CUT-OUT SIZE	Ø72
MIN RECESSED HEIGHT	50MM
WEIGHT	0.3KG
IP	44
GLOW WIRE TEST	850°C

LIGHT SPECS

LIGHT SOURCE INCLUDED	1
BEAM ANGLE	30°
CRI	80+
MAX LED LUMEN	MAX700LM
MAX LED POWER	7W

POWER SPECS

GEAR TRANSFO	INCLUDED
LAMP POWER	7W
DIMMABLE	DALI DIMMABLE