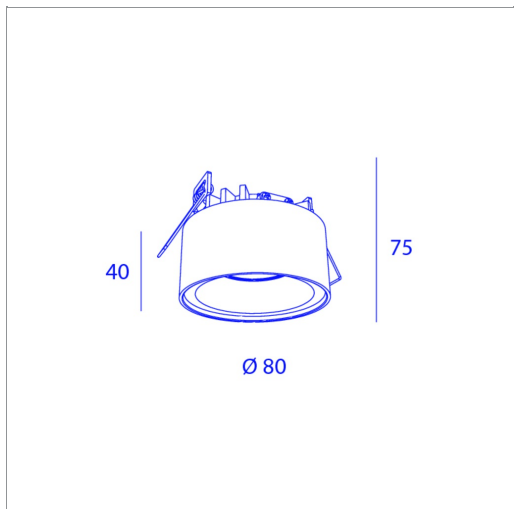


# BORDER CONE HALF UP

1X CONE COB LED MAX700LMLM

WH/WH BS82271B CL7\_30



BS82271B CL7\_30



## SPECIFICATIONS

CUT-OUT SIZE	Ø72
MIN RECESSED HEIGHT	50MM
WEIGHT	0.3KG
IP	44
GLOW WIRE TEST	850°C

## LIGHT SPECS

LIGHT SOURCE INCLUDED	1
BEAM ANGLE	30°
CRI	80+
MAX LED LUMEN	MAX700LM
MAX LED POWER	7W

## POWER SPECS

GEAR TRANSFO	INCLUDED
LAMP POWER	7W
DIMMABLE	1-10V/PUSH DIMMABLE