

ESPECIFICACIONES TÉCNICAS / ACABADOS
TECHNICAL DATA / FINISHED

DAU SPOT LED / 6408

Flemming Bjorn

BL

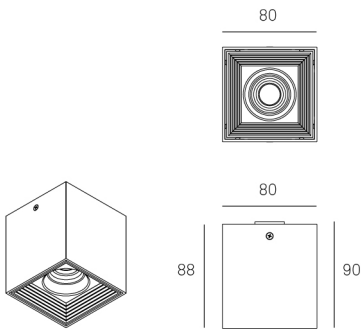
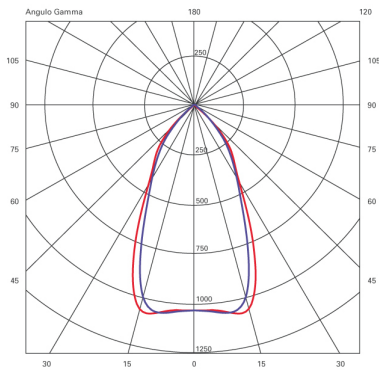
Ø 80

H 90

1 x Led 10 W. | 1010 lumens | 350 mA | 3000 K | 80 Ra | Δ 50°



DRV. INC | |



DESCRIPCIÓN
DESCRIPTION



COMENTARIOS / COMMENTS