

ESPECIFICACIONES TÉCNICAS / ACABADOS  
TECHNICAL DATA / FINISHED

**DAU SPOT LED / 6407**

Flemming Bjorn

ALN

Ø 80

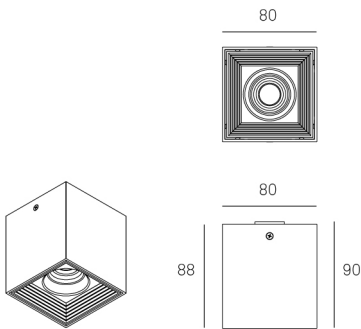
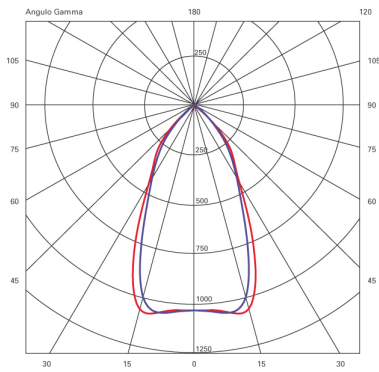
H 90

1 x Led 10 W. | 1010 lumens | 350 mA | 3000 K | 80 Ra |  $\Delta$ 50°



DRV. INC | |

DESCRIPCIÓN  
DESCRIPTION



COMENTARIOS / COMMENTS