



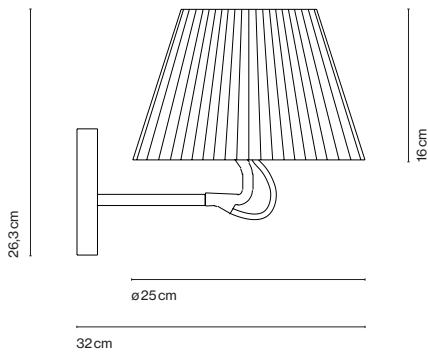
Nolita Cotton

Joan Gaspar

marset



Nolita Cotton A



Nolita Cotton A

- 💡 E14 HSGSP/C/UB 46W
- 🔊 E14 LED 5W

Conic diffuser with a double shade made of polycarbonate on the inside part and raw cotton ribbons on the outside. Aluminium structure.

Structure

- Aluminium

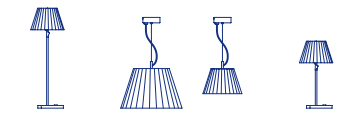
Shade

- Cotton ribbons natural



- [Download](#) Assembly Instructions
- [Download](#) 2D
- [Download](#) 3D
- [Download](#) Energy label

Range



info@marset.com
www.marset.com

Nolita Cotton has a double-screen diffuser made of polycarbonate on the inside and natural cotton ribbons at the outside which creates a cosy lighting atmosphere.