



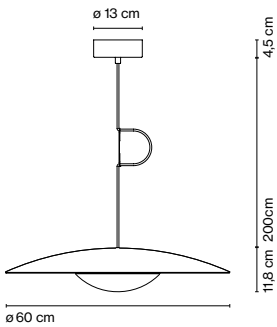
# Ginger

## Joan Gaspar

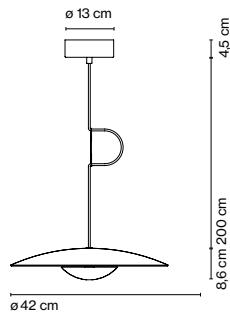
marset



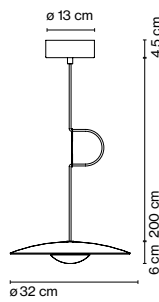
**Ginger 60**



**Ginger 42**



**Ginger 32**



Wood is a great ally of cozy lighting. It is a material that is hard to mold, a challenge that the Ginger collection neatly resolves. The combination of sheets of wood and paper pressed together under high pressure achieves a laminate that appears almost entirely flat.

**Ginger 60 / RSC**  
LED SMD 20,8W 700mA  
2700K 3023lm (included)

**Ginger 42 / RSC**  
LED SMD 15,4W 700mA  
2700K 2130lm (included)

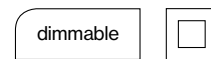
**Ginger 32 / RSC**  
LED SMD 7,8W 700mA  
2700K 1066lm (included)

- Oak
- Wenge

Black electrical cord

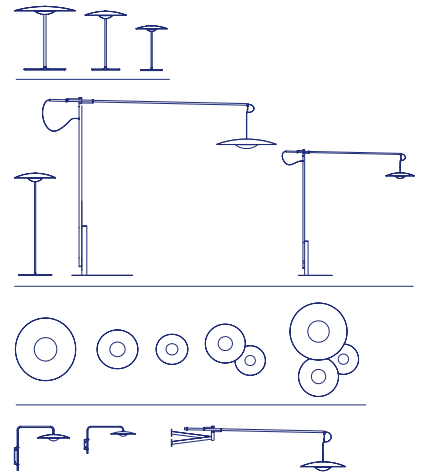
Recessed canopy available

Pressed wood diffuser of 4 mm in natural oak or wenge. Injected and lacquered black metal matte aluminium dissipater.



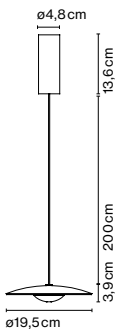
- [Download](#) Assembly Instructions
- [Download](#) Photometric Data
- [Download](#) 2D
- [Download](#) 3D
- [Download](#) Energy label

**Range**

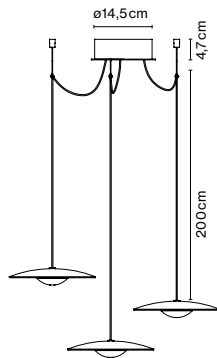




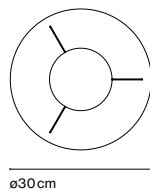
**Ginger 20**



**Ginger 20x3**



**Ginger 20x3:  
Canopy accessory**



**Ginger 20**

LED SMD 4W 350mA 2700K 546lm (included)

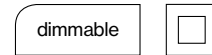
**Ginger 20x3**

3x LED SMD 4W 350mA 2700K 546lm (included)

- Oak - Oak
- Wenge - Wenge
- Oak - White
- Wenge - White

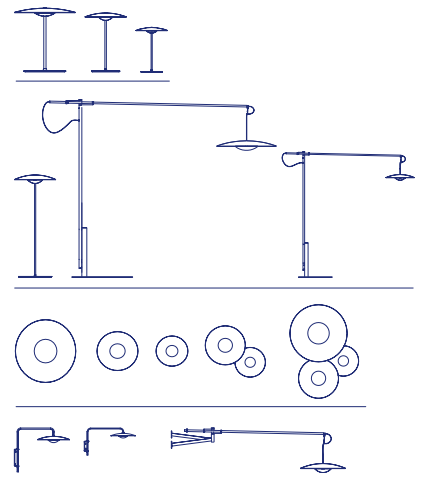
Black electrical cord

Pressed wood diffuser of 4 mm in natural oak or wenge. Injected and lacquered black metal matte aluminium dissipater.



- [Download](#) Assembly Instructions
- [Download](#) Photometric Data
- [Download](#) 2D
- [Download](#) 3D
- [Download](#) Energy label

**Range**



**Watch the video**

info@marset.com  
www.marset.com

Wood is a great ally of cozy lighting. It is a material that is hard to mold, a challenge that the Ginger collection neatly resolves. The combination of sheets of wood and paper pressed together under high pressure achieves a laminate that appears almost entirely flat.

### How Ginger illuminates

