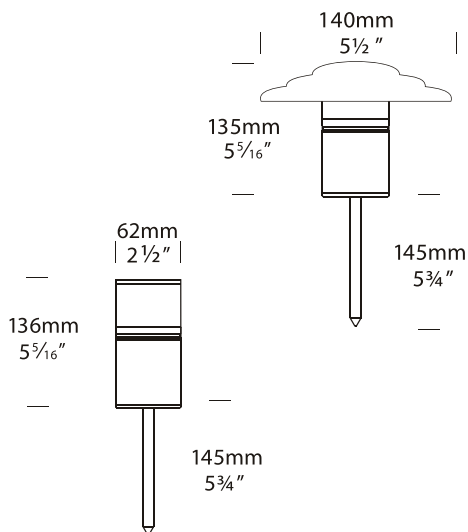


# Fern Lite PURE LED

Cat. NO FN/L



PURE LED  
Pure Performance



The Fern Lite PURE LED is suitable for illumination of low level foliage. Light is emitted on a horizontal plane through UV stable acrylic lens with anti-glare mesh around 360 degrees. This luminaire does not project any vertical light due to the anti-glare hood. The Fern Lite PURE LED with no hood projects minimal vertical light due to the lens cap.

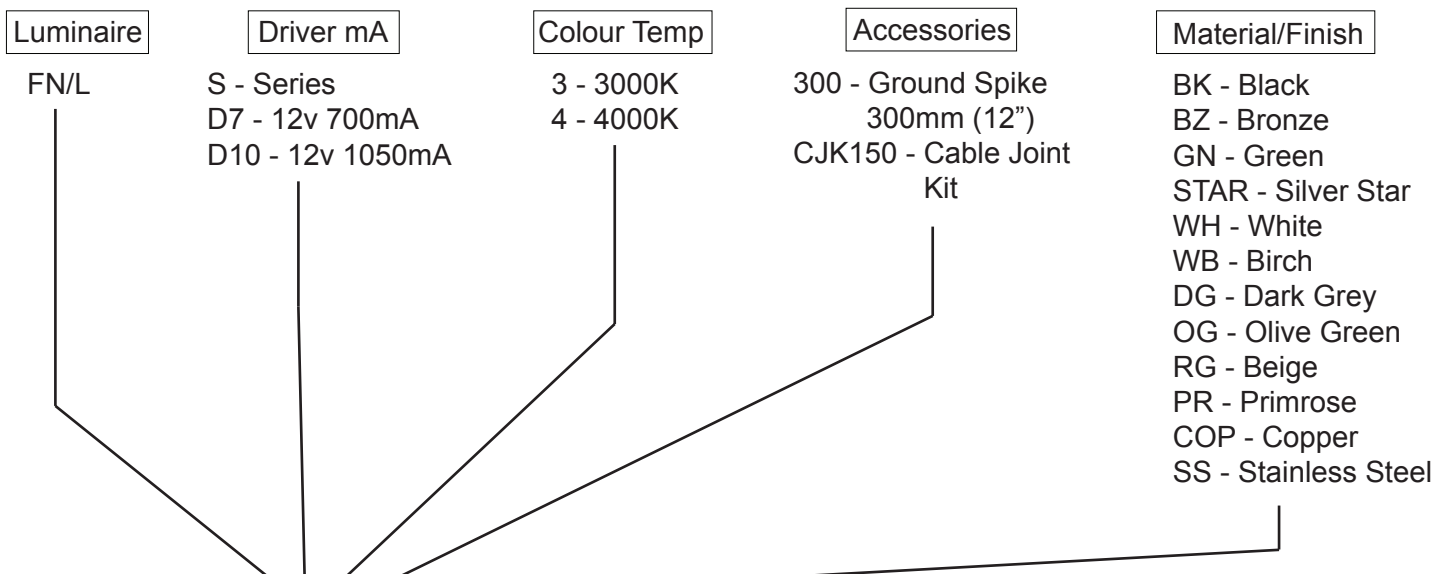
This luminaire is machined from a choice of 10mm solid aluminium with a UV stable powder coated finish, natural copper or 316 stainless steel.

The Hunza PURE LED system uses Cree MTG-2 chips for maximum performance and long life. Power supply options include a choice of integral 12 volt or an external remote (series connection) driver. The PURE LED system incorporates Hunza's Plug-and-Play system for easy replacement of either the LED engine or integral driver in the field. A choice of a Warm or Cool White colour temperatures are available.

\*At 700mA this fitting is the equivalent of 35w halogen fitting.

\*At 1050mA this fitting is the equivalent of 50w halogen fitting.

## Ordering Information



Ordering Example: FN/L S 3 300 BK

**HUNZA**™ PURE  
OUTDOOR  
LIGHTING

HUNZA FACTORY  
130 Felton Mathew Ave  
Saint Johns  
Auckland 1072  
New Zealand

Ph: 64-9-528 9471  
Fax: 64-9-528 9361  
hunza@hunza.co.nz  
www.hunza.co.nz

INTERNATIONAL CONTACTS:  
www.hunza.co.nz/contacts.php

Specifications may change without notice.  
Manufactured in New Zealand.  
© 2014 Hunza Holdings Ltd.

## Luminaire Construction

**CNC machined from one of the following metals:**

High corrosion resistant 63.5mm (2½") x 10mm (25/64") aluminium.  
Endcap - solid aluminium 63.5mm (2½") rod. Spike - 11.11mm (7/16") aluminium rod. Hood - 140mm (5½") x 1.2mm (1/16") hand spun aluminium with chromate substrate and high UV resistant polyester powder coat colours Black, Bronze, Green, Silver Star, White, Birch, Dark Grey, Olive Green, Beige, Primrose.

### Copper

63.5mm (2½") x 10mm (13/32")  
Endcap - 63.5mm (2½") copper rod.  
Spike - 11.11mm (7/16") copper rod  
Hood - 140mm (5½") x 1.2mm (1/16") hand spun copper.

### Stainless Steel

63.5mm (2½") x 10mm (13/32")  
Endcap - 63.5mm (2½") solid 316 stainless steel rod.  
Spike - 11.11mm (7/16") stainless steel rod.  
Hood - 140mm (5½") x 1.2mm (1/16") stainless steel.

### Luminaire Weight

*With hood:* Alum .750kg (1lb 10oz)  
Cop 1.160kg (2lb 1oz)  
SS 1.400kg (3lb 1oz)

*No hood:* Alum .600kg (1lb 5oz)  
Cop .960kg (2lb 2oz)  
SS 1.200kg (2lb 10oz)

## Features

### Lens:

UV stable polycarbonate with anti-glare mesh.

### Anti-Glare Hood:

Diameter 140mm (5½"). No upward light or glare projected

### Gasket:

Silicone, iron impregnated 220°C (428°F)

### Accessories:

Cable Joint Kit (Cat. CJK150)  
(Not approved for USA/Canada)  
Ground Spike 300mm (Cat. 300)

### Mounting

Ground spike 150mm (6") or 300mm (12") directly into the earth.

## Technical Information

### Standards

IP66 UL 1838

### LED

Cree MTG-2 Plug and Play, field replaceable LED board.

**Lumen Output:** 510 at 1050mA

**Lumens Per watt:** 85 at 6watt

**CRI Warm White (3000k):** 85+

**Colour Temp:** 3,000 and 4,000K

### Power Supply

#### Series (External) Driver

Constant current driver

Output: 6vdc at 1050mA maximum

#### Integral 12 Volt Driver

Hunza™ Plug and Play Driver

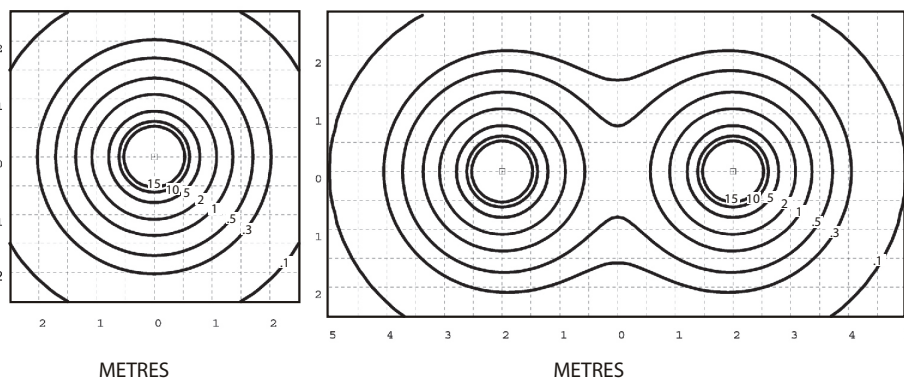
Input: 12vac, 7 watt total

Output: 6vdc nominal, 350 / 700 / 1050mA

#### Transformer

Hunza™ Wall Mount Transformer for use with integral 12 volt driver

Fern Lite driven at 700mA - Lens height 100mm (4") (with anti-glare hood)



Isolux Lumens Plot - Footcandles = Isolux figures divided by 10.76

**HUNZA**™ PURE  
OUTDOOR  
LIGHTING

HUNZA FACTORY  
130 Felton Mathew Ave  
Saint Johns  
Auckland 1072  
New Zealand

Ph: 64-9-528 9471  
Fax: 64-9-528 9361  
hunza@hunza.co.nz  
www.hunza.co.nz

INTERNATIONAL CONTACTS:  
www.hunza.co.nz/contacts.php

Specifications may change without notice.  
Manufactured in New Zealand.  
© 2014 Hunza Holdings Ltd.