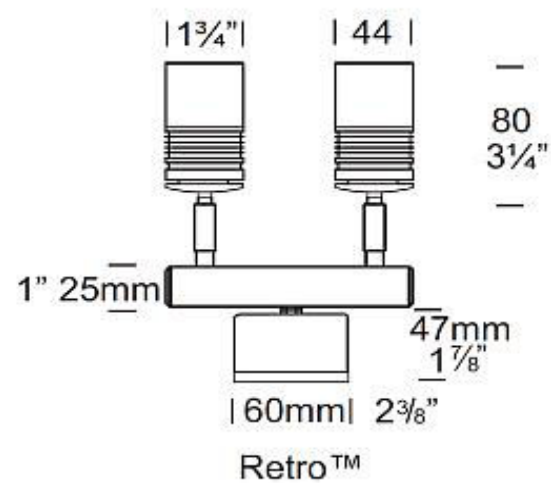
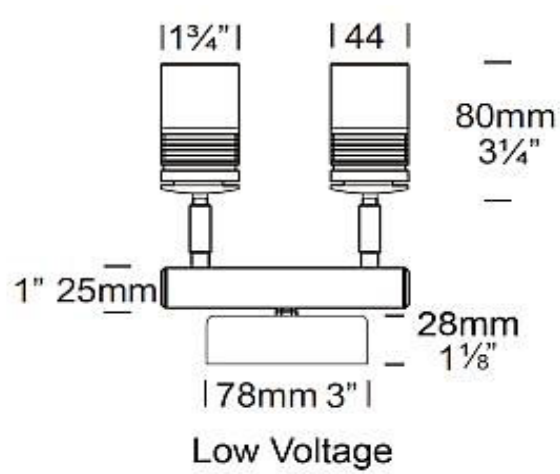
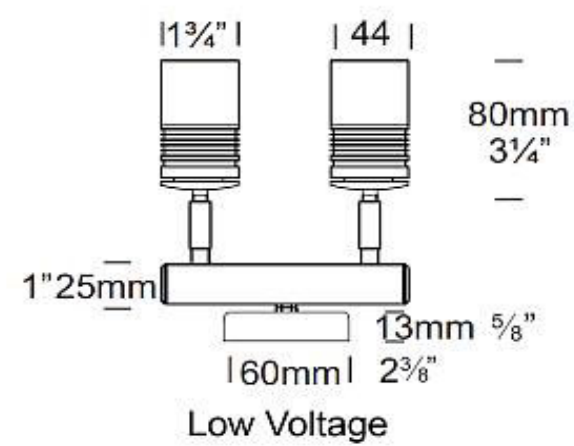


Euro Twin Wall Spot

Cat. No. ETWS
Cat. No. ETWS/R



UK & European Specification

The Euro Twin Wall Spot is for situations where the luminaire needs to be discreet, the smaller sized MR11 lamp is utilised to achieve this. Each spotlight can be aimed in any direction. This luminaire has fully adjustable arms allowing 360 degree rotation and 0 - 90 elevation built in glare guard. The Euro Twin Wall Spot has been designed to be mounted on walls and provide directional light for pathways and structural elements of a building.

The Retro™ is a 110/240-12 ac mains option suited to an installation where mounting a transformer is a problem, e.g. a brick wall where it is only the cable protruding out of the wall and it is not an option to cut the transformer or when replacing an existing light fitting. The base of the luminaire increases in size to accommodate the encapsulated IP66 dimmable transformer.

Ordering Information

Luminaire	Material	Accessories
ETWS - Euro Twin Wall Spot	COP - Copper	CJK - Cable joint Kit
	SS - 316 Stainless Steel	LENSEURF - Frosted Lens
		/R - Retro Transformer
		110 /240-12 Volt
		WBAP - Wall Box Adaptor
		Plate (12v Luminaire)

Example: **ETWS COP**

(Accessories ordered separately)

Luminaire Construction

CNC machined from one of the following metals:

Body:
Copper 45.4mm (1¾") rod.

Base:
Copper hand spun 2mm (3/16")

Body:
316 Stainless steel 45.4mm (1¾") rod.

Base:
Investment cast and CNC machined.

Mounting

12 volt: the luminaire is mounted to the wall using two 316 stainless screws through a shallow base 16mm (5/8") in depth.

Retro™ luminaire (110/240-12 volt): a mounting plate is fixed to the wall using two screws and then the luminaire is fitted to the mounting plate.

Features

Lens:
6mm (¼") clear flush fit shatter resistant glass with Hex Cell Louvre for glare control.
Life Time Warranty.

Gaskets:
Silicone, iron impregnated 220°C (428°F).

Lamp Holder:
GU4 - 350°C (662°F) ceramic multi contact lamp holder with 180°C (356°F) silicone cables.

Accessories:
Cable Joint Kit (Cat. CJK 150)
Frost Lens (Cat. LENSEURF).
Retro™ transformer 110/240-12 volt (Cat. /R).
Wall Box Adaptor Plate for 12 volt luminaires (Cat. WBAP).

Swivel:
Copper luminaires - 360° rotation and 0 - 90° elevation, solid brass with anti rust spring.

Stainless Steel luminaires - 360° rotation and 0 - 90° elevation, full stainless steel construction.

Standards
IP66 AS/NZS 61046 UL1838

Luminaire Weight
12 volt
Cop 1.445kg (3lb 2oz)
SS 1.245kg (2lb 11oz)
Retro™
Cop 2.006kg (4lb 6oz)
SS 1.730kg (3lb 13oz)

Power Supply
HUNZA™ Inground or Wall Mount
Transformer: not included.

RETRO™
HUNZA™ 110/240-12 volt ac potted electronic transformer built into the Retro™ base.
Dimmable with a suitable dimmer.

Lamp Type
MR11 GU4 - 2 x 20 watt lamp max.

