

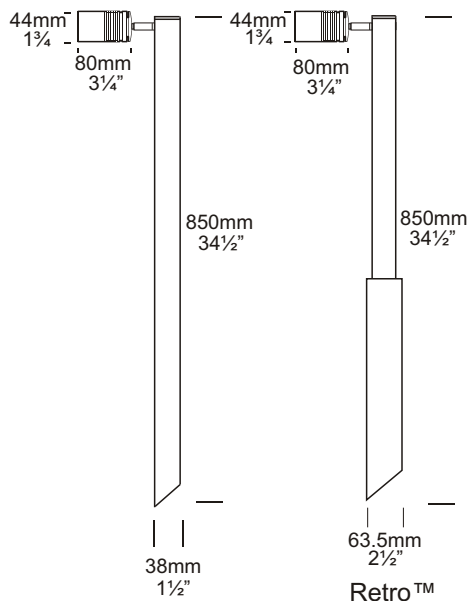
Euro Single Pole Lite

Cat. No. ESPL
Cat. No. ESPL/R



The Euro Single Pole Lite is ideal for path lighting as well as tree lighting, or the head may be aimed downward to eliminate vertical Light. Hunza Euro fixtures use miniature MR11 lamps to achieve a contemporary, discreet appearance but are still able to provide excellent illumination. This luminaire has a fully adjustable arm allowing 360 degree rotation and 0 - 90 degree elevation with a built in glare guard.

The Retro™, which is a mains option, avoids the need to bury a transformer. The 110/240-12 volt electronic transformer is built into the pole and is a double insulated safety isolating transformer this changes the luminaire to an IP56 rating.



Ordering Information

Luminaire Type	Material/Finish	Accessories
ESPL - Euro Single Pole Lite	Cop - Copper SS - 316 Stainless Steel	CJK150 - Cable Joint Kit /R - Retro™ Transformer 110/240-12 volt LENSEURF - Frost Lens For an alternative LED option start at page 10.4



Ordering Example: ESPL SS - Euro Single Pole Lite in 316 Stainless Steel
ESPL/R COP - Euro Single Pole Lite Retro™ in Copper

(Accessories ordered separately)

HUNZA™ PURE OUTDOOR LIGHTING

HUNZA FACTORY
130 Felton Mathew Ave
Glen Innes
Auckland 1072
New Zealand

Ph: 64-9-528 9471
Fax: 64-9-528 9361
hunza@hunza.co.nz
www.hunza.co.nz

INTERNATIONAL CONTACTS:
www.hunza.co.nz/contacts.php

Specifications may change without notice.
Manufactured in New Zealand.
© 2009 Hunza Holdings Ltd.

Ver 1.4

Luminaire Construction

CNC machined from one of the following metals:

Copper:

Body: 45.4mm rod.

Pole: 38mm (1½") x 850mm (33½") tube.

316 Stainless Steel:

Body: 45.4mm rod.

Pole: 38mm (1½") x 850mm (33½") tube.

Retro™:

Pole: 38mm (1½") x 410mm (16") tube.

Transformer Pole: 63.5mm (2½") x 440mm (17½").

Mounting

Pole 850mm (31½") directly mounted into the earth. Retro™ - set in concrete.

Features

Lens:

6mm (¼") clear flush fit shatter resistant glass with Hex Cell Louvre for glare control.

Life Time Warranty.

Gaskets:

Silicone, iron impregnated 220°C (428°F).

Lamp Holder:

GU4 - 350°C (662°F) ceramic multi contact lamp holder with 250°C (480°F) teflon cables.

Accessories:

Cable Joint Kit (Cat. CJK150).

Not approved for USA /Canada.

Frosted Lens (Cat. LENSEURF).

Retro™ transformer 110/240-12 volt (Cat. /R) IP56.

Swivel:

Copper luminaires - 360° rotation and 0 - 90° elevation, solid brass with anti rust spring.

Stainless Steel luminaires - 360° rotation and 0 - 90° elevation, full stainless steel construction.

Standards

IP56/IP66



Luminaire Weight

12 volt

Cop 1.900kg (4lb 3oz)

SS 1.550kg (3lb 6oz)

RETRO™ IP56

Cop 2.800kg (6lb 2oz)

SS 2.600kg (5lb 11oz)

Power Supply

HUNZA™ Inground or Wall Mount Transformer: not included.

USA and Canada:

HUNZA™ Wall Mount Transformer: not included.

RETRO™ IP56

HUNZA™ 110/240-12 volt ac potted electronic transformer is built into the pole. Dimmable with a suitable dimmer.

Lamp Type

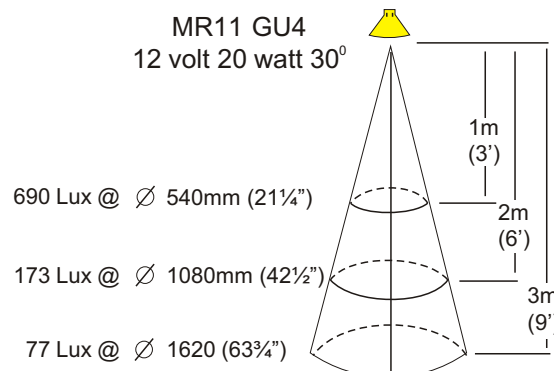
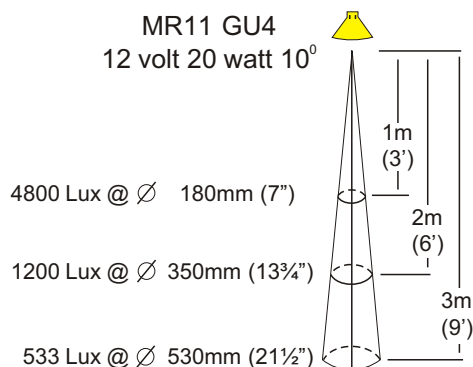
MR11 GU4 20 watt lamp max.

LED - Refer sheet no. 10.4

USA and Canada:

MR11 GU4 10 watt lamp max.

LED - Refer sheet no. 10.4



HUNZA™ PURE
OUTDOOR
LIGHTING

HUNZA FACTORY
130 Felton Mathew Ave
Glen Innes
Auckland 1072
New Zealand

Ph: 64-9-528 9471
Fax: 64-9-528 9361
hunza@hunza.co.nz
www.hunza.co.nz

INTERNATIONAL CONTACTS:
www.hunza.co.nz/contacts.php

Specifications may change without notice.
Manufactured in New Zealand.

© 2009 Hunza Holdings Ltd.

Ver 1.4