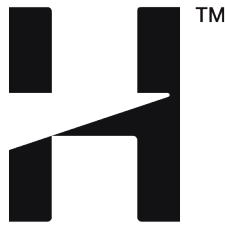
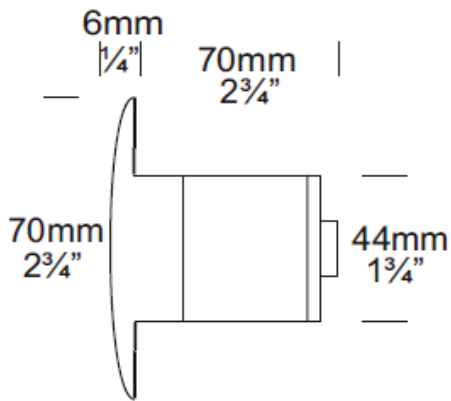


# Euro Step Lite PURE LED

Cat. NO ESL/L



**PURE LED**  
Pure Performance



The Euro Step Lite PURE LED is an extra compact luminaire designed for step lighting applications where the fixture needs to be very unobtrusive or concealed. The Euro Step Lite is designed for recessed mounting into masonry, stone or wood and when the appropriate Hunza™ mounting canister is specified there are no visible mounting screws.

The PURE LED system uses Cree MTG-2 chips for maximum performance and long life. Power supply options include a choice of integral 12 volt or remote driver. The PURE LED system incorporates an innovative Plug-and-Play system for easy replacement or upgrade of either the LED engine or integral driver.

\*At 350mA this fitting is the equivalent of a 25w halogen fitting.

\*At 700mA this fitting is the equivalent of a 35w halogen fitting.

## Ordering Information

Luminaire	Driver mA	Beam Angle	Colour Temp	Accessories	Material/Finish
ESL/L	S - Series D3 - 12v 350mA D7 - 12v 700mA	15 - 15° TIR Lens 25 - 25° TIR Lens 38 - 38° TIR Lens	2 - 2700K 3 - 3000K 4 - 4000K	CJK150 - Cable Joint Kit EURF - Frosted ELCAN - Step Canister	COP - Copper SS - Stainless

Ordering Example: ESL/L S 15 3 CJK150 SS

**HUNZA**™ PURE  
OUTDOOR  
LIGHTING

HUNZA FACTORY  
130 Felton Mathew Ave  
Saint Johns  
Auckland 1072  
New Zealand

Ph: 64-9-528 9471  
Fax: 64-9-528 9361  
hunza@hunza.co.nz  
www.hunza.co.nz

INTERNATIONAL CONTACTS:  
[www.hunza.co.nz/contacts.php](http://www.hunza.co.nz/contacts.php)

Specifications may change without notice.  
Manufactured in New Zealand.  
© 2015 Hunza Holdings Ltd.

## Luminaire Construction

### CNC machined from:

#### Copper

Body: 45mm Copper (1<sup>3</sup>/<sub>4</sub>" rod).  
Flange: 70mm (3<sup>1</sup>/<sub>2</sub>" solid copper rod).

#### Stainless Steel

Body: 45mm (1<sup>3</sup>/<sub>4</sub>" 316 Stainless Steel rod).  
Flange: 70mm (3<sup>1</sup>/<sub>2</sub>" solid 316 Stainless Steel rod).

### Luminaire Weight

Cop .480kg (1lb)  
SS .415kg (14oz)

## Features

### Lens:

6mm (1/4") extra clear low iron flush fit shatter resistant glass with Hex Cell Louvre for glare control.  
Lifetime Warranty.

### Gasket:

Silicone, iron impregnated 220°C (428°F)

### Accessories:

Cable Joint Kit (Cat. CJK150)  
Euro Lite Canister (Cat. Elcan).  
Frosted Lens (Cat. EURF).

### Mounting

The Euro Step Lite is fixed in place using a mounting canister. There are no mounting screws in the flange to spoil aesthetics of the luminaire.

## Technical Information

### Standards

IP66 UL 1838

### LED

Cree MTG-2 Plug and Play, field replaceable PCB boards  
**Lumen Output:** 420 at 700mA  
**Lumens Per Watt:** 105 at 4 watts  
**CRI Warm White (3000K):** 85+  
**Colour Temp:** 2700K, 3000K and 4000K

### Power Supply

#### External (Series) Driver

Constant current driver  
Output: 6vdc at 700mA maximum

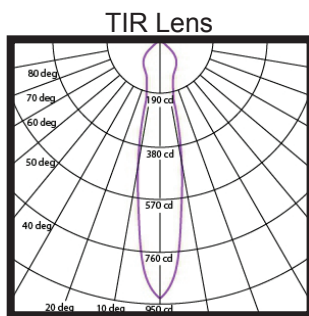
#### Integral 12 Volt Driver

Hunza™ Plug and Play Driver  
Input: 12vac, 5watt total  
Output: 6vdc nominal, 350 / 700mA

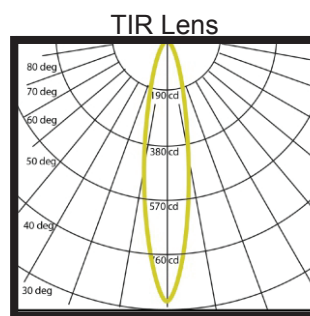
#### Transformer

Hunza™ Wall Mount Transformer for use with integral 12v driver

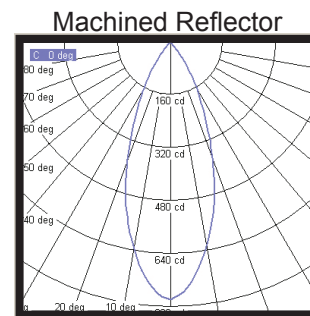
## Reflector Beam Angles



15° Angle  
3000 K



25° Angle  
3000 K



38° Angle  
3000 K