

EUP20T-1HMC-0E1

TRIAC Constant Current Dimming Driver

Product Features

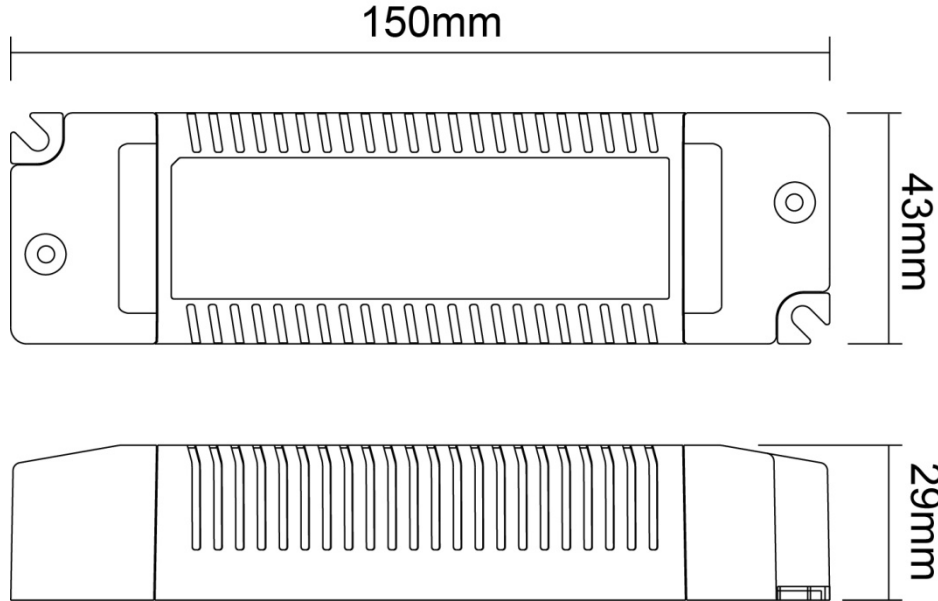
- Single-channel constant current output, selected by Dip-switch
- Support Leading edge (Triac) and Trailing edge (ELV) dimming
- Dimming range from 40VAC to 240V AC.
- Dimming effect smooth, no flicker
- High efficiency up to 82%.
- Short current protection
- Suitable for indoor LED lighting application, such as down light, panel light, and so on



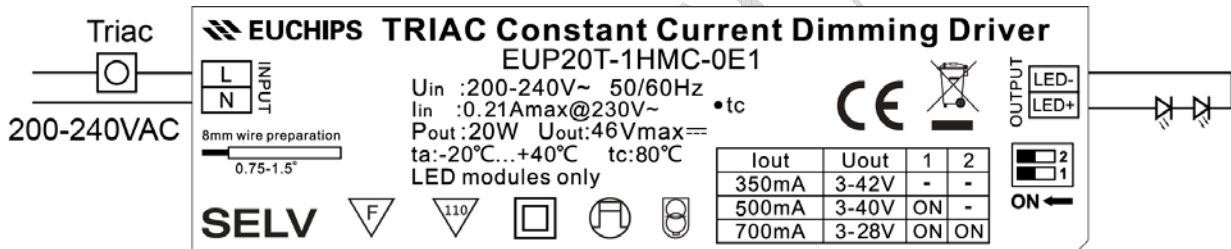
Technical Parameters

Model		EUP20T-1HMC-0E1		
Output	Current	350mA	500mA	700mA
	Voltage	3-42VDC	3-40VDC	3-28VDC
	Power	14.7W	20W	19.6W
	Current Accuracy	±5%		
	Maximum output voltage	46VDC		
	R & N (Max)	300mVp-p		
	Channels	1		
Input	Voltage	200– 240VAC		
	Frequency	50/60Hz		
	Dimming Voltage Range	40-240VAC		
	Power Factor (Typ)	0.5		
	Efficiency(Typ)	82%		
	Current	0.21Amax@230VAC		
	Inrush Current	20A@230VAC		
Protection	Short current	Close output, recovers automatically after fault removed		
Function	Dimming	Triac/ELV		
Others	Dimension	150*43*29 mm (L*W*H)		
	G.W	120g		
	Working temp.	-20℃ ~ 40℃		
	Relative humidity	20~90% RH		

Dimension(mm)



Wiring Diagram



Current Selection Table

EUP20T-1HMC-0E1 is a Multi-current dimming driver, output current level selectable by DIP S.W., as the following:

Current	DIP-1	DIP-2
350mA	OFF	OFF
500mA	ON	OFF
700mA	ON	ON

Remark: Function default setting is: 350mA (@switch are all OFF state)