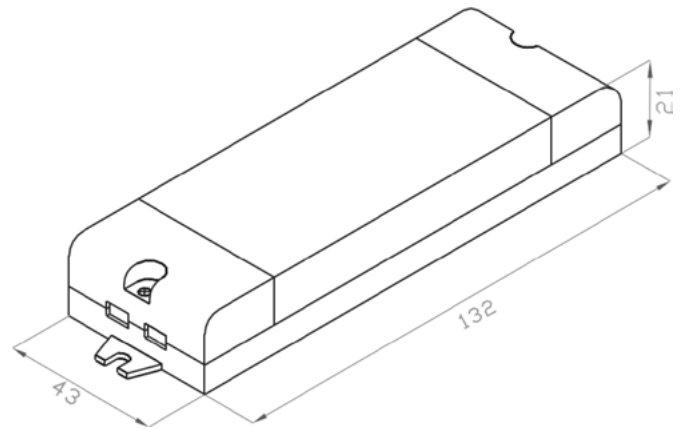


DARKLIGHT DESIGN

DARKLIGHT DESIGN

ELED 18W 700mA CONSTANT CURRENT
DALI DIMMABLE DRIVER



PRODUCT OVERVIEW

- Dali dimmable driver
- Constant current design
- Protections: Short circuit/ Overload/ Over voltage
- Built-in PFC function (PFC>0.95)
- Cooling by free air convection
- Up to 80% efficiency
- Fully isolated, delivering up to 18W of power
- Dali control standard IEC62386
- Dali control input <2mA, 1-100% logarithmic dimming range

All the information in this document is provided in good faith. Darklight Design will not be held responsible for any losses due to inaccuracies within this document.

TECHNICAL SPECIFICATIONS

Input Voltage Range	220-240VAC
AC Frequency	50-60Hz
Output Mode	Constant Current
Output Current	700mA
Output Voltage	21-25V
Output Power	18W Max
Power Factor	>0.95
Efficiency	>80%
Dimensions	W:132 x D:43 x H:21 (mm)

ENVIRONMENTAL SPECIFICATIONS

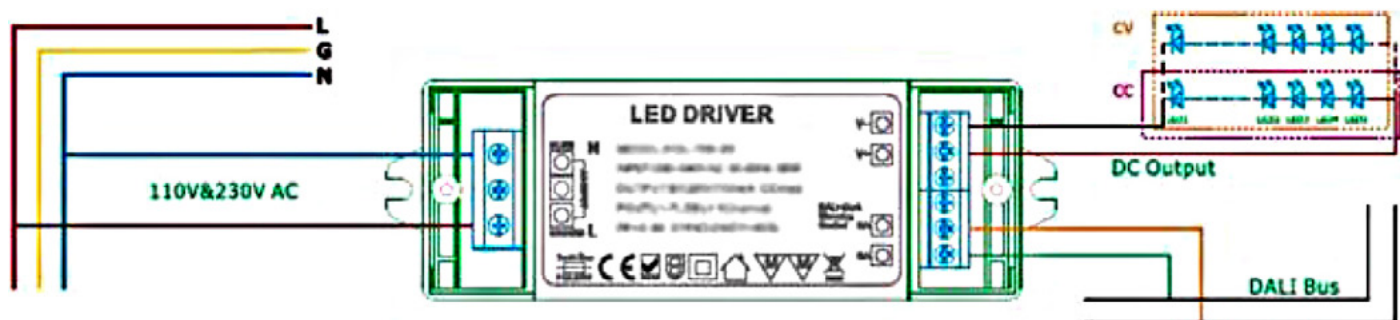
Operating Temperature	-30°C-+45°C
Relative Humidity	5~95%
Isolation Voltage	In/Out 3000VAC
Vibration	5-55Hz/2g, 30 Minutes

CONFORMITY & STANDARDS

EMI	EN55022 EN55015 Class B
Safety	EN61347-1, EN61347-2-13
Electromagnetic Immunity	EN61547, EN55024 EN61000-4-2/3/4/6/8/11
Harmonic Current Emissions	EN61000-3-2 EN61000-3-3

All the information in this document is provided in good faith. Darklight Design will not be held responsible for any losses due to inaccuracies within this document.

BASIC INSTALLATION OVERVIEW



All the information in this document is provided in good faith. Darklight Design will not be held responsible for any losses due to inaccuracies within this document.