

DLD 100-240VAC TRIAC BLEEDER
CONSTANT CURRENT DIM. COMPENSATOR
DLDTB01

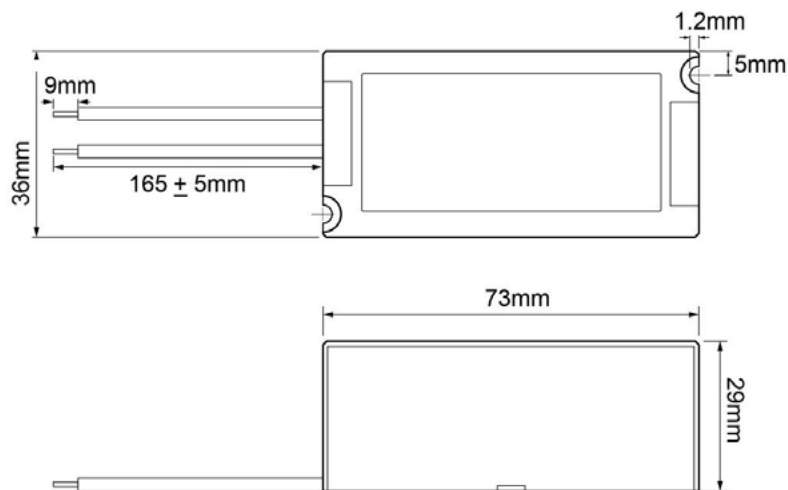


Dimensions
L.73mm W.36mm H.29mm



OVERVIEW

- Active compensation
- IP20
- Wide input voltage of 100VAC ~ 240VAC
- Suitable for circuit load compensation for Leading edge (TRIAC) and Trailing edge (ELV)



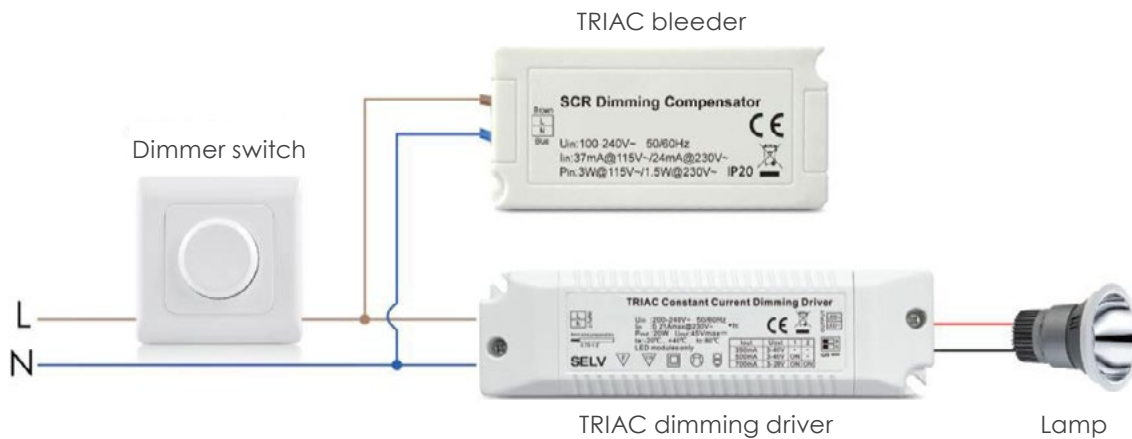
DLD 100-240VAC TRIAC BLEEDER
 CONSTANT CURRENT DIM. COMPENSATOR
 DLDTB01



TECHNICAL SPECIFICATIONS

OUTPUT	
Voltage	100 - 240VAC
Frequency	50 / 60Hz
Current	37mA @ 115VAC / 24mA @ 230VAC
Power	3W @ 115VAC / 1.5W @ 230VAC
MISC.	
Dimensions	L.73mm W.36mm H.29mm
Gross weight	75g
IP rating	IP20
Working temperature	-20°C ~ 40°C
Relative humidity	20~90% RH

WIRING DIAGRAM



MISCELLENEOUS

- The product shall be installed and serviced by a qualified person.
- This product is non-waterproof. Please avoid the sun and rain. When installed outdoors please ensure it is mounted in a water proof enclosure.
- Good heat dissipation will prolong the working life of the controller. Please ensure good ventilation.
- Please check if the output voltage and current of any LED power supplies used comply with the requirement of the product. Do not exceed the marked parameters.
- Please ensure that adequate sized cable is used from the controller to the LED lights to carry the current, and that the cable is secured tightly in the connector.
- Ensure all wire connections and polarities are correct before applying power to avoid any damages to the LED lights.
- If a fault occurs please return the product to your supplier. Do not attempt to fix this product by yourself.

All the information in this document is provided in good faith. DLD Contract will not be held responsible for any losses due to inaccuracies within this document.

 **01189 889414**

 **enquiries@dld-contract.co.uk**

 **dld-contract.co.uk**

DLD Contract Ltd
Unit 9 Brookside Business Centre
Church Road
Swallowfield
Reading
Berkshire
RG7 1TH