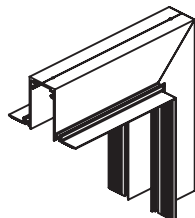
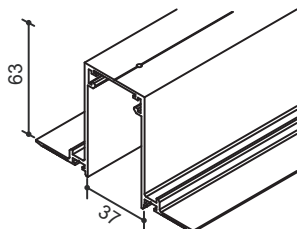


**SHADOWLINE**  
LED LINEAR RECESSED TRACK SYSTEM  
INSTALLATION INSTRUCTIONS



**RECESSED TRACK - COMPONENTS**



Product code                      Length

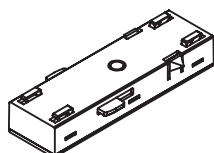
10-RDS	1500mm
20-RDS	2000mm
30-RDS	2500mm

Product code

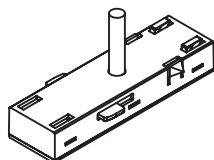
40-RDS	RECESSED Vertical corner
--------	-----------------------------

Product code

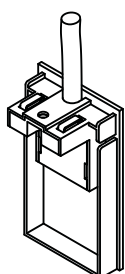
50-RDS	RECESSED Horizontal corner
--------	-------------------------------



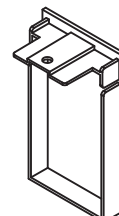
A10-CDS  
Recessed straight circuit joint



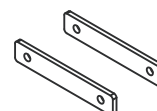
A20-CDS  
Recessed straight circuit joint 2m power cable



30-CDS  
End cap 2m power cable



40-CDS  
End cap



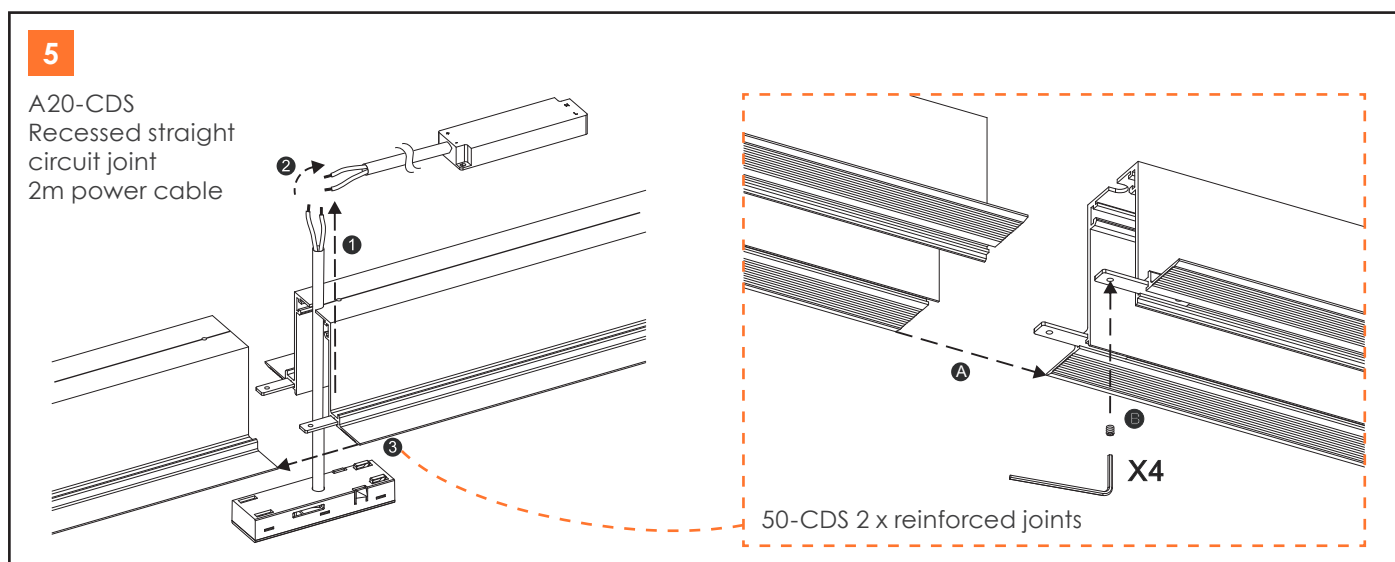
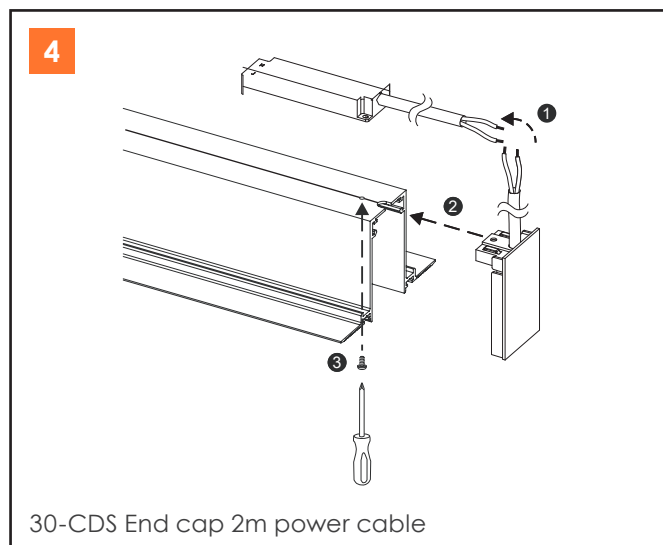
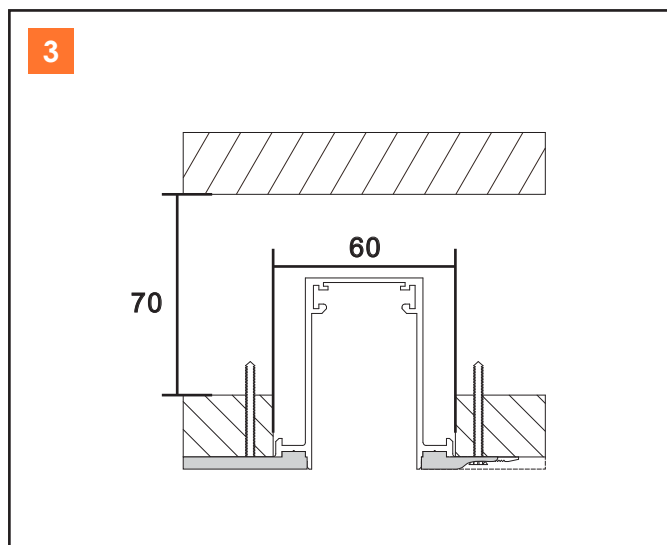
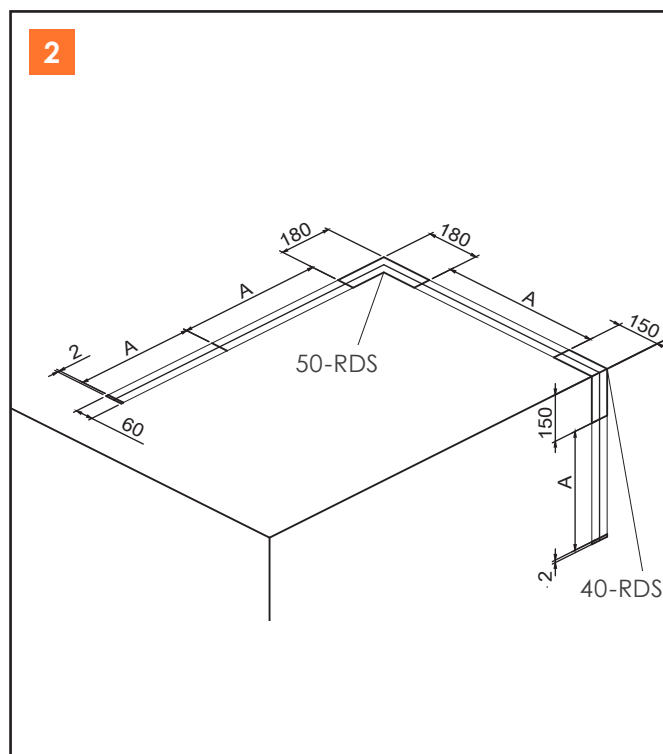
50-CDS  
2 x Reinforced joint

# RECESSED TRACK - INSTALL INSTRUCTIONS

**1**

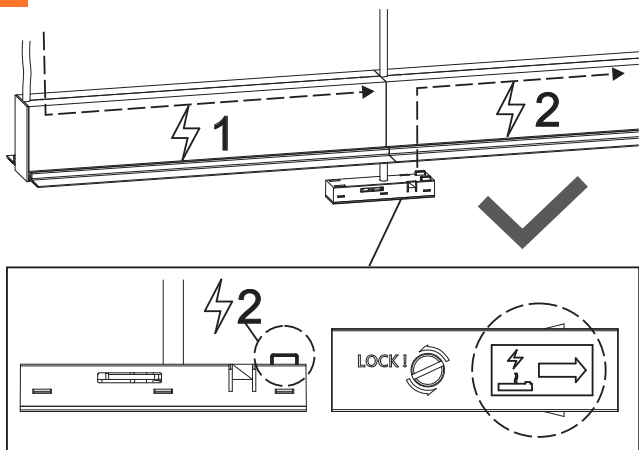
**A**  
**B**  
**C**  
C < B (200mm)

Product code	A	B
10-RDS	1500mm	200mm x 8
20-RDS	2000mm	200mm x 12
30-RDS	2500mm	200mm x 16

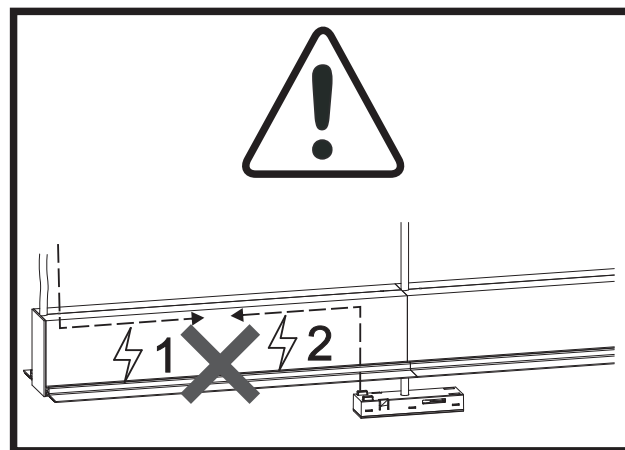


# RECESSED TRACK - INSTALL INSTRUCTIONS

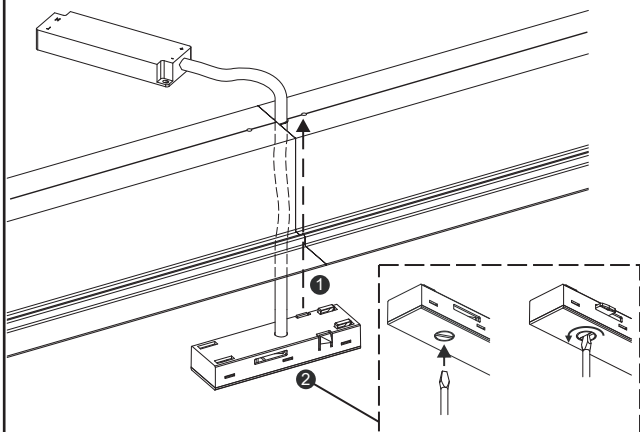
6



A20-CDS Recessed straight circuit joint 2m power cable

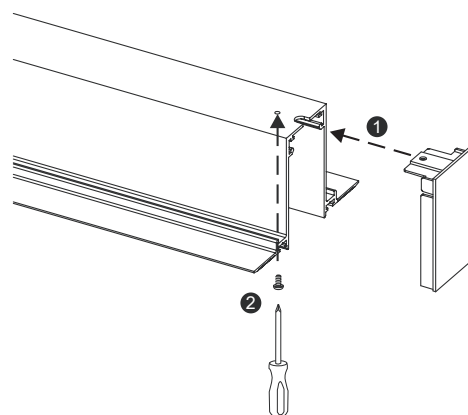


7



A20-CDS Recessed straight circuit joint 2m power cable

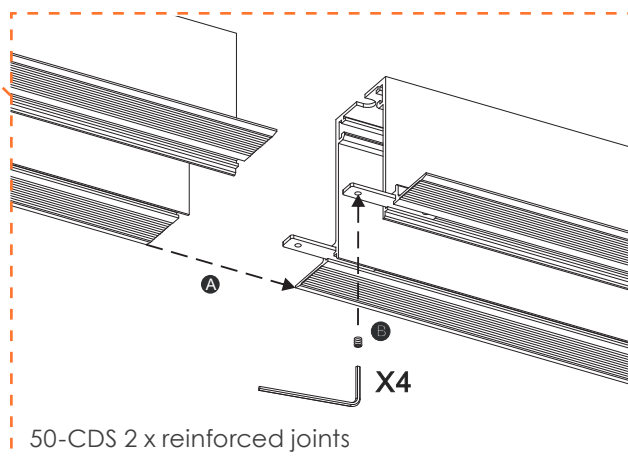
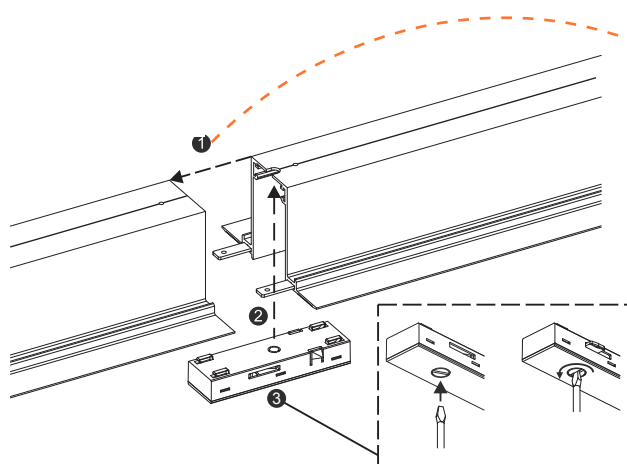
8



40-CDS End cap

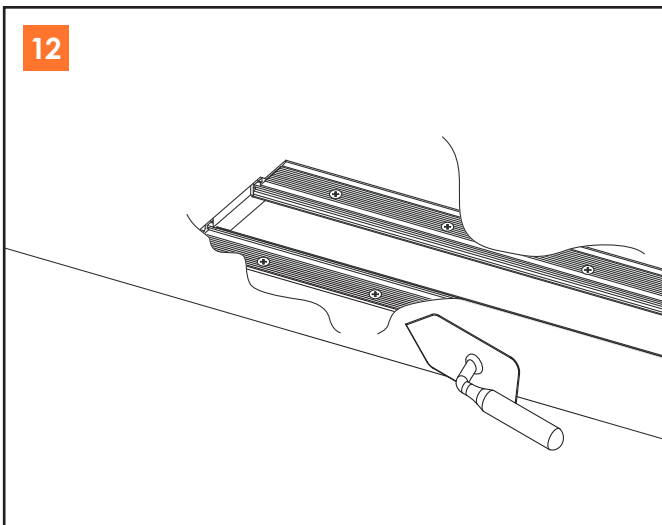
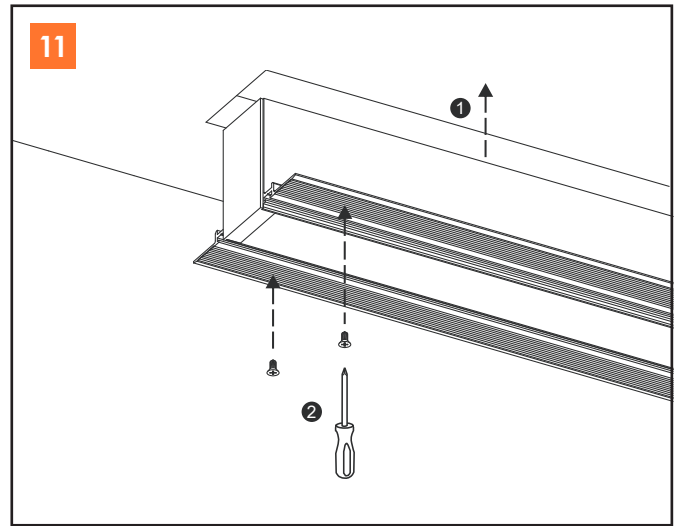
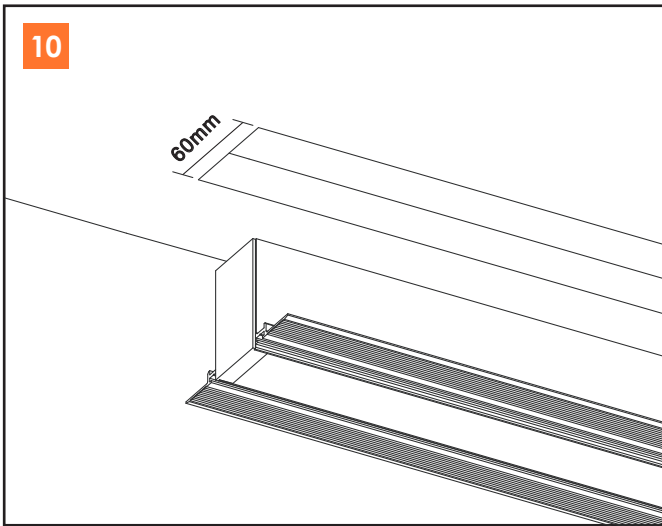
9

A10-CDS Recessed straight circuit joint



50-CDS 2 x reinforced joints

## RECESSED TRACK - INSTALL INSTRUCTIONS



01189 889414



[enquiries@dld-contract.co.uk](mailto:enquiries@dld-contract.co.uk)



[dld-contract.co.uk](http://dld-contract.co.uk)

DLD Contract Ltd  
Unit 9 Brookside Business Centre  
Church Road  
Swallowfield  
Reading  
Berkshire  
RG7 1TH