

# DLD 40W DALI DIMMABLE DRIVER

350 / 500 / 700 / 1050mA CONSTANT CURRENT  
DLD40D-1WMC-0



## Dimensions

L.137mm W.82mm H.31mm



## OVERVIEW

- Single channel constant current output, selectable multilevel current by DIP switch
- Efficiency up to 86%
- 100 - 240VAC wide input voltage
- Built-in active PFC function
- Smooth dimming curves, without flicker
- Protection: over load
- IP20
- Supports DALI / Touch DIM
- Standard DALI Protocol IEC62386
- 3 year warranty

**DLD 40W DALI DIMMABLE DRIVER**  
 350 / 500 / 700 / 1050mA CONSTANT CURRENT  
 DLD40D-1WMC-0



**TECHNICAL SPECIFICATIONS**

<b>OUTPUT</b>				
<b>Current</b>	350mA	500mA	700mA	1050mA
<b>Voltage</b>	20-75VDC	20-75VDC	20-57VDC	20-38VDC
<b>Power</b>	26.25V	37.5V	39.9V	39.9V
<b>Current accuracy</b>	±3%			
<b>Max. output voltage</b>	95VDC			
<b>R &amp; N (max)</b>	300mVp-p			
<b>Channels</b>	1			
<b>INPUT</b>				
<b>Voltage</b>	100-240VAC			
<b>Frequency</b>	50/60Hz			
<b>Power factor (Typ.)</b>	> 0.9			
<b>Efficiency (Typ.)</b>	86%			
<b>Current</b>	0.22A max @ 230VAC			
<b>Inrush current</b>	20A max @ 230VAC			
<b>PROTECTION</b>				
<b>Over load</b>	Above 110%-150% of rated power, constant voltage limit			
<b>FUNCTION</b>				
<b>Dimming</b>	DALI / Touch DIM			
<b>MISC.</b>				
<b>Dimensions</b>	L.137mm W.82mm H.31mm			
<b>Gross weight</b>	238g			
<b>Working temperature</b>	-20°C ~ 40°C			
<b>Relative humidity</b>	20~90% RH			

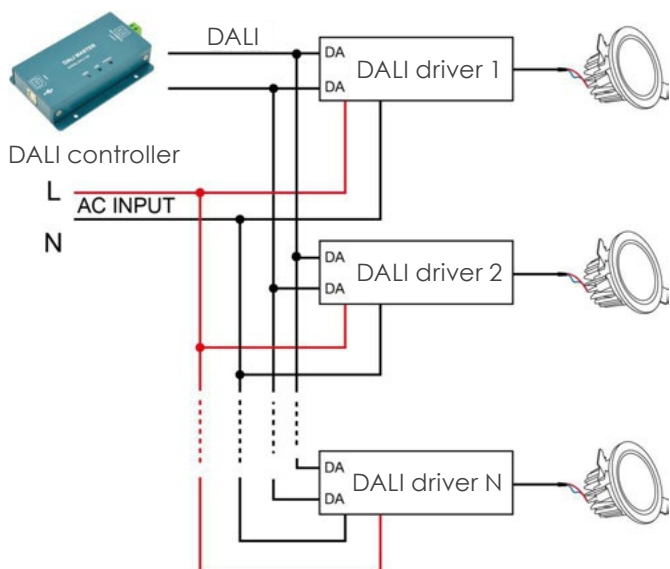
# DLD 40W DALI DIMMABLE DRIVER

350 / 500 / 700 / 1050mA CONSTANT CURRENT  
DLD40D-1WMC-0

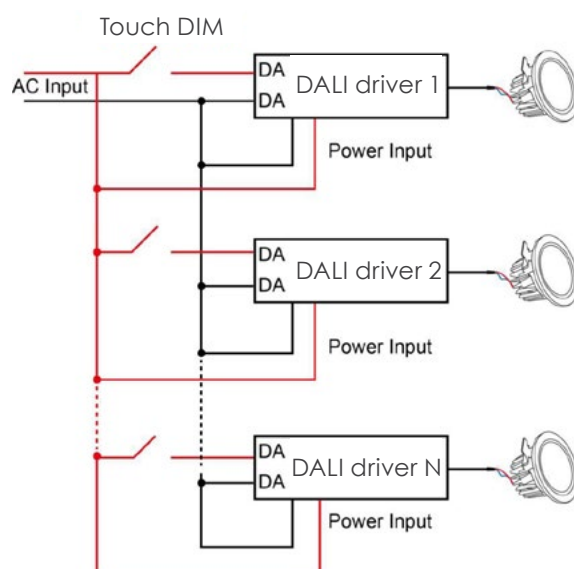


## WIRING DIAGRAMS

DALI DIAGRAM



TOUCH DIM DIAGRAM



## CURRENT SELECTION TABLE

Current	DIP-1	DIP-2	DIP-3
350mA	OFF	OFF	OFF
500mA	ON	OFF	OFF
700mA	ON	ON	OFF
1050mA	ON	ON	ON

Output current level selectable by DIP switch

**DLD 40W DALI DIMMABLE DRIVER**  
350 / 500 / 700 / 1050mA CONSTANT CURRENT  
DLD40D-1WMC-0



**MISCELLEANEOUS**

- The product shall be installed and serviced by a qualified person.
- DALI and Touch DIM functions cannot be used simultaneously, which can be controlled respectively by using DALI controllers or with Touch DIM technology.
- This product is non-waterproof. Please avoid the sun and rain. When installed outdoors please ensure it is mounted in a water proof enclosure.
- Good heat dissipation will prolong the working life of the controller. Please ensure good ventilation.
- Please check if the output voltage and current of any LED power supplies used comply with the requirement of the product.
- Please ensure that adequate sized cable is used from the controller to the LED lights to carry the current, and that the cable is secured tightly in the connector.
- Ensure all wire connections and polarities are correct before applying power to avoid any damages to the LED lights.
- If a fault occurs please return the product to your supplier. Do not attempt to fix this product by yourself.

All the information in this document is provided in good faith. DLD Contract will not be held responsible for any losses due to inaccuracies within this document.

 **01189 889414**

 **[enquiries@dld-contract.co.uk](mailto:enquiries@dld-contract.co.uk)**

 **[dld-contract.co.uk](http://dld-contract.co.uk)**

DLD Contract Ltd  
Unit 9 Brookside Business Centre  
Church Road  
Swallowfield  
Reading  
Berkshire  
RG7 1TH