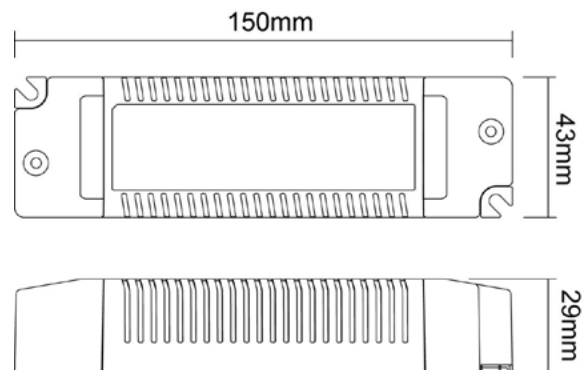


DLD 20W DALI DIMMABLE DRIVER

350 / 500 / 700mA CONSTANT CURRENT
DLD20D-1WMC-0

DLD CONTRACT



Dimensions

L.150mm W.43mm H.29mm



OVERVIEW

- Single channel constant current output, selectable multilevel current
- Efficiency 82%
- Active PFC
- Smooth dimming curves, without flicker
- Short circuit, overload, over temperature functions
- IP20
- PWM digital dimming - CRI unaffected
- Built-in MCU, customized logarithmic or linear dimming curve
- Second level of security isolation, output ripple is less than 3%
- Load range 10%-100%
- Supports five in one dimming
- (DALI/I1-10V active signal /PWM signal / adjustable resistance/Touch DIM)
- 3 year warranty

DLD 20W DALI DIMMABLE DRIVER

350 / 500 / 700mA CONSTANT CURRENT
DLD20D-1WMC-0



TECHNICAL SPECIFICATIONS

| OUTPUT | | | |
|--------------------------|--|---------|---------|
| Current | 350mA | 500mA | 700mA |
| Voltage | 9-40VDC | 9-40VDC | 9-28VDC |
| Power | 14W | 20W | 19.6W |
| Current accuracy | ±5% | | |
| No load output voltage | 50VDC | | |
| Output LF current ripple | < 3% (< 120 Hz) | | |
| Channels | 1 | | |
| INPUT | | | |
| Voltage | 100-240VAC | | |
| Frequency | 50/60Hz | | |
| Current | 0.11A max@230VAC | | |
| Power factor | > 0.95 @ 230VAC | | |
| Efficiency | 82% @ 230VAC, full load | | |
| Inrush current | Cold start, 15A (width=22us measured at 50% peak) @ 230VAC | | |
| PROTECTION | | | |
| Short circuit | Close output, recovers automatically after fault removed | | |
| Overload | When the output voltage is exceeded, the output current decreases and recovers automatically when the load is reduced. | | |
| Over temperature | Shut down the output, recovers automatically when temp. is back to normal | | |
| FUNCTION | | | |
| Dimming | DALI dimming | | |
| MISC. | | | |
| Dimensions | L.150mm W.43mm H.29mm | | |
| Gross weight | 120g | | |
| Working temperature | -20°C ~ 50°C | | |
| Relative humidity | 20~90% RH | | |

DLD 20W DALI DIMMABLE DRIVER

350 / 500 / 700mA CONSTANT CURRENT
DLD20D-1WMC-0

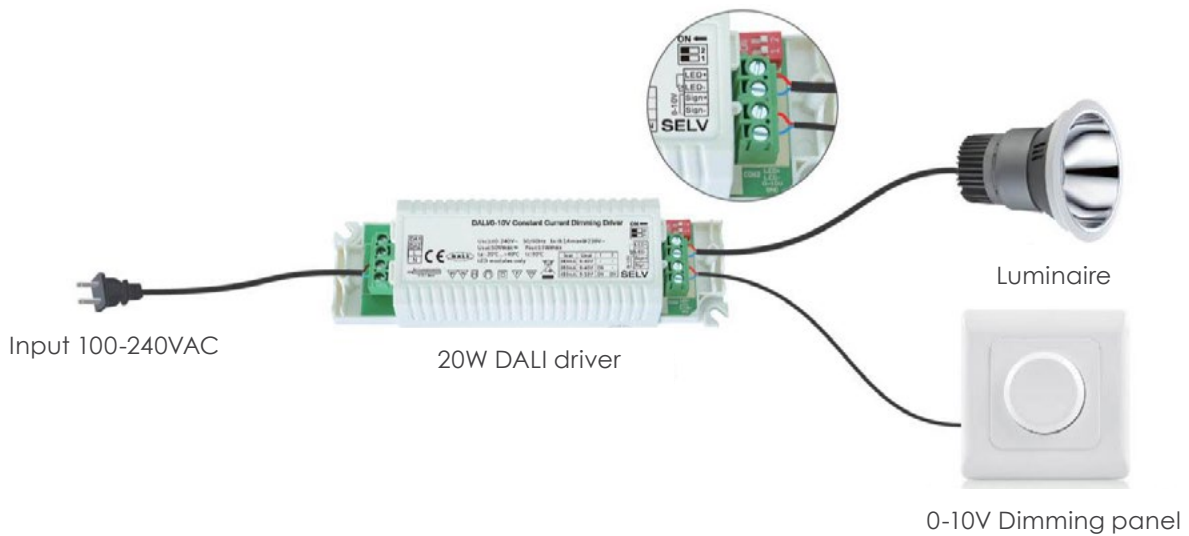


WIRING DIAGRAMS

DALI MODE



0-10V / PWM / ADJUSTABLE RESISTANCE MODE



TOUCH DIM MODE



DALI & 0-10V signal cannot be used simultaneously

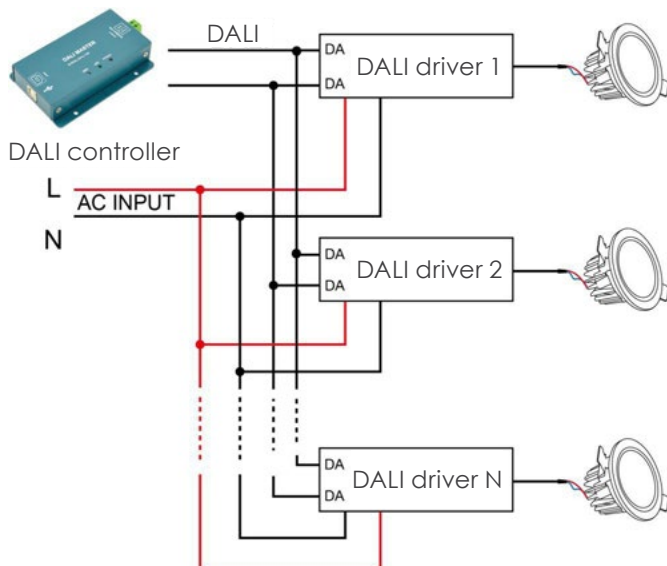
DLD 20W DALI DIMMABLE DRIVER

350 / 500 / 700mA CONSTANT CURRENT
DLD20D-1WMC-0

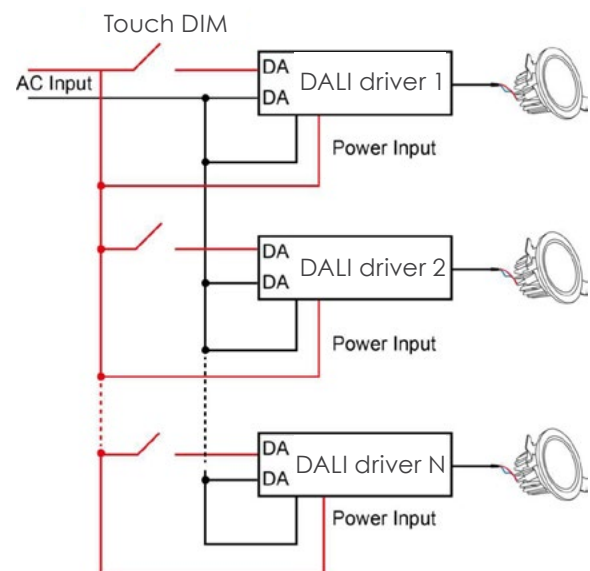


WIRING DIAGRAMS

DALI DIAGRAM



TOUCH DIM DIAGRAM



Only use open push button without indicator light. Maximum cable length between each unit is 20 meters.

TOUCH DIM FUNCTION

1. Short press the Touch DIM switch (<0.5s) to control the lamp on or off.
2. Long press the Touch DIM switch (>0.5s) to dim the brightness of light. The dimming direction will change every time after pressing switch.
3. Double-click the Touch DIM switch (<0.3s), all lamps connected on the device will be set maximum brightness.
4. The brightness adjustment range is 1%-100%, the light can be turned off with a short press with the long press adjustment Touch DIM switch.
5. With the Power off memory function, the power-down state will be recovered when power on again.

DLD 20W DALI DIMMABLE DRIVER

350 / 500 / 700mA CONSTANT CURRENT

DLD20D-1WMC-0



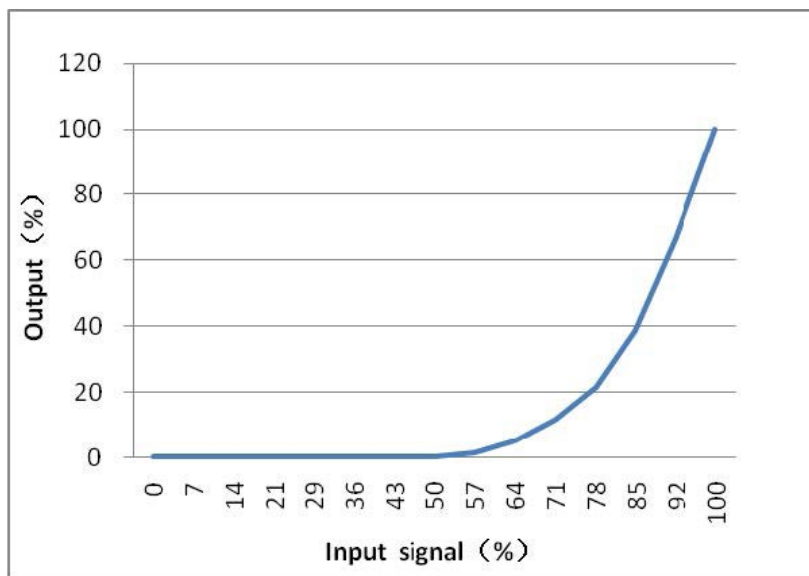
CURRENT SELECTION TABLE

| Current | DIP-1 | DIP-2 |
|---------|-------|-------|
| 350mA | OFF | OFF |
| 500mA | ON | OFF |
| 700mA | ON | ON |

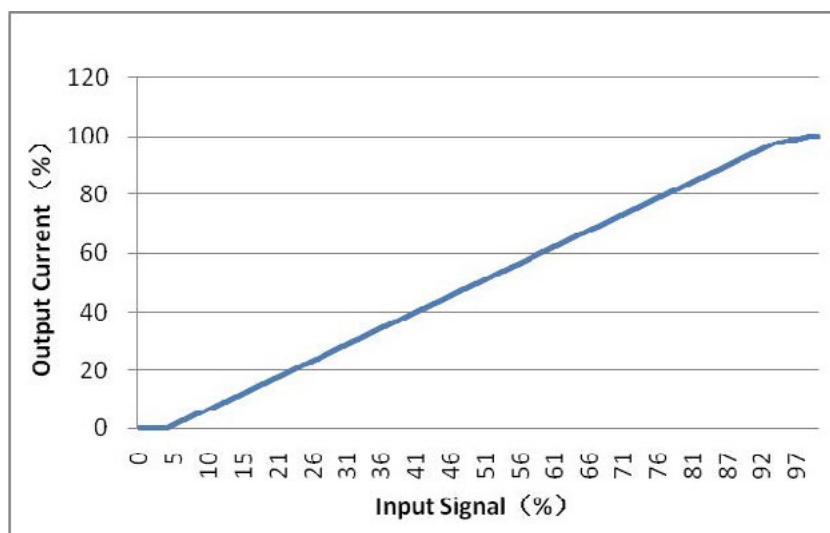
Output current level selectable by DIP switch

DIMMING CURVE

DALI DIMMING



0-10V / PWM / ADJUSTABLE RESISTANCE



DLD 20W DALI DIMMABLE DRIVER

350 / 500 / 700mA CONSTANT CURRENT
DLD20D-1WMC-0



MISCELLEANEOUS

- The product shall be installed and serviced by a qualified person.
- DALI and Touch DIM functions cannot be used simultaneously, which can be controlled respectively by using DALI controllers or with Touch DIM technology.
- This product is non-waterproof. Please avoid the sun and rain. When installed outdoors please ensure it is mounted in a water proof enclosure.
- Good heat dissipation will prolong the working life of the controller. Please ensure good ventilation.
- Please check if the output voltage and current of any LED power supplies used comply with the requirement of the product.
- Please ensure that adequate sized cable is used from the controller to the LED lights to carry the current, and that the cable is secured tightly in the connector.
- Ensure all wire connections and polarities are correct before applying power to avoid any damages to the LED lights.
- If a fault occurs please return the product to your supplier. Do not attempt to fix this product by yourself.

All the information in this document is provided in good faith. DLD Contract will not be held responsible for any losses due to inaccuracies within this document.

 **01189 889414**

 **enquiries@dld-contract.co.uk**

 **dld-contract.co.uk**

DLD Contract Ltd
Unit 9 Brookside Business Centre
Church Road
Swallowfield
Reading
Berkshire
RG7 1TH