

DLD 75W DALI DIMMABLE DRIVER
24V CONSTANT VOLTAGE
DLD75D-1H24V-0



Dimensions
L.213mm W.54mm H.33mm



OVERVIEW

- Single channel constant voltage 24VDC output
- Efficiency up to 85%
- 220-240VAC voltage input
- Protection: over load / over voltage / over temperature / short circuit
- IP20
- DALI dimmable / Touch DIM
- Standard DALI protocol IEC62386
- 3 year warranty

DLD 75W DALI DIMMABLE DRIVER

24V CONSTANT VOLTAGE

DLD75D-1H24V-0



TECHNICAL SPECIFICATIONS

OUTPUT	
Voltage	24V
Current	3.1A
Power	74.4W
Voltage accuracy	±3%
R & N (max.)	240mVp-p
INPUT	
Voltage	220-240VAC
Frequency	50/60Hz
Efficiency	>85% @ 230VAC, full load
Power factor	≥0.95 @ 230VAC, full load
Current	0.4A max @ 230VAC
Inrush current	Cold start, 45A @ 230VAC
PROTECTION	
Short circuit	Hiccup mode, recovers after fault condition is removed
Over load	Hiccup mode, recovers after fault condition is removed
Over voltage	Hiccup mode, recovers after fault condition is removed
Over power	Shut down and auto restart when temperature is normal
FUNCTION	
Dimming	DALI / Touch Dim
MISC.	
Dimensions	L.213mm W.54mm H.33mm
Gross weight	460g
Working temperature	-20°C ~ 50°C
Relative humidity	20~90% RH

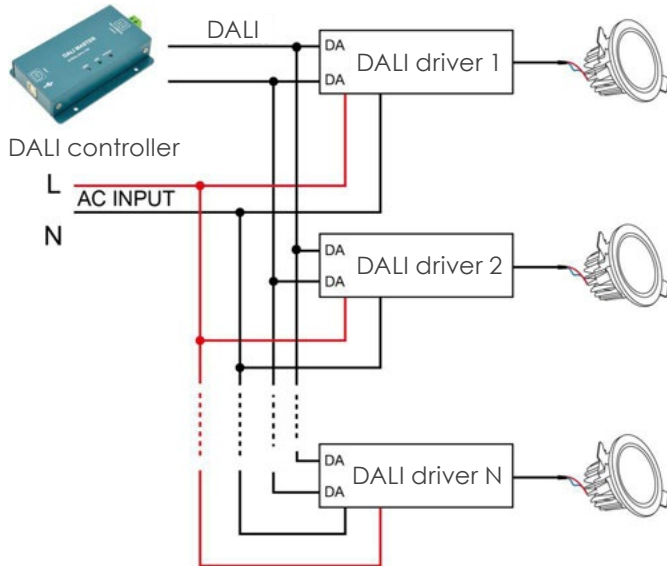
DLD 75W DALI DIMMABLE DRIVER

24V CONSTANT VOLTAGE
DLD75D-1H24V-0

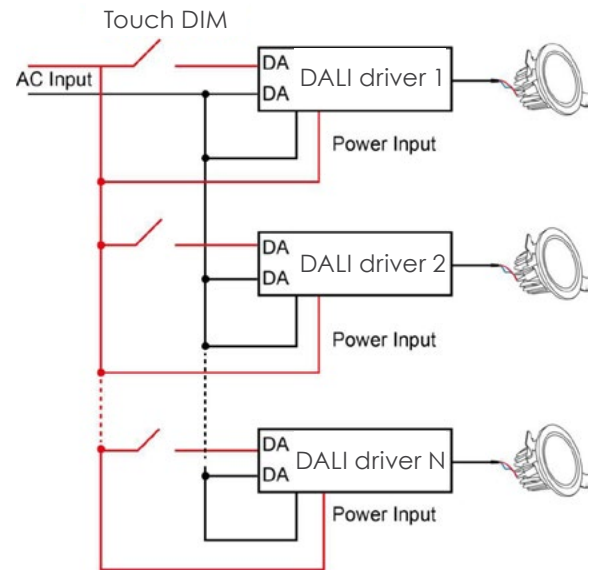


WIRING DIAGRAMS

DALI DIAGRAM



TOUCH DIM DIAGRAM



DLD 75W DALI DIMMABLE DRIVER
24V CONSTANT VOLTAGE
DLD75D-1H24V-0



MISCELLENEOUS

- The product shall be installed and serviced by a qualified person.
- DALI and Touch DIM functions cannot be used simultaneously, which can be controlled respectively by using DALI controllers or with Touch DIM technology.
- This product is non-waterproof. Please avoid the sun and rain. When installed outdoors please ensure it is mounted in a water proof enclosure.
- Good heat dissipation will prolong the working life of the controller. Please ensure good ventilation.
- Please check if the output voltage and current of any LED power supplies used comply with the requirement of the product.
- Please ensure that adequate sized cable is used from the controller to the LED lights to carry the current, and that the cable is secured tightly in the connector.
- Ensure all wire connections and polarities are correct before applying power to avoid any damages to the LED lights.
- If a fault occurs please return the product to your supplier. Do not attempt to fix this product by yourself.

All the information in this document is provided in good faith. DLD Contract will not be held responsible for any losses due to inaccuracies within this document.

 **01189 889414**

 **enquiries@dld-contract.co.uk**

 **dld-contract.co.uk**

DLD Contract Ltd
Unit 9 Brookside Business Centre
Church Road
Swallowfield
Reading
Berkshire
RG7 1TH