

DLD 40W DALI DIMMABLE DRIVER

24V CONSTANT VOLTAGE
DLD40D-1W24V-0

DLD

CONTRACT



Dimensions

L.137mm W.82mm H.31mm



OVERVIEW

- Single channel constant voltage 24VDC output
- Efficiency up to 86%
- 100-240VAC wide range voltage input
- Dimming range 1-100%
- Smooth dimming curves, without flicker
- Over power / over voltage
- IP20
- No minimum load requirements
- DALI dimmable / Touch DIM
- Standard DALI protocol IEC62386
- 3 year warranty

DLD 40W DALI DIMMABLE DRIVER

24V CONSTANT VOLTAGE

DLD40D-1W24V-0



TECHNICAL SPECIFICATIONS

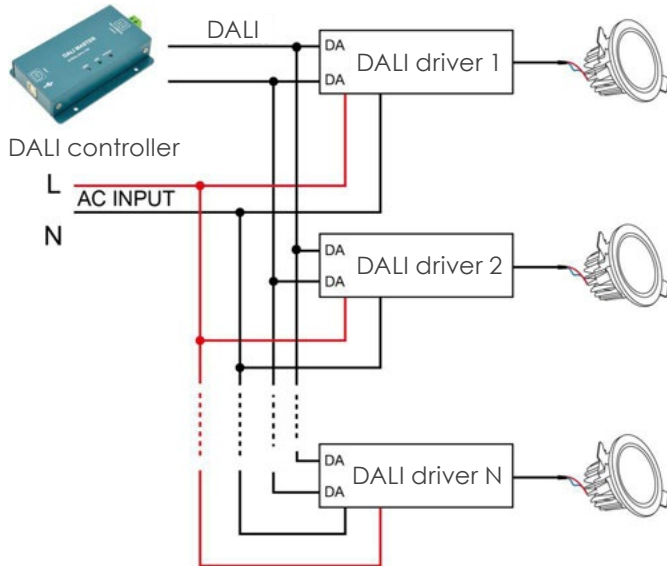
OUTPUT	
Voltage	24V
Current	1.7A
Power	40.8W
Voltage accuracy	±5%
R & N (max.)	200Vp-p
Channels	1
INPUT	
Voltage	100-240VAC
Frequency	50/60Hz
Power factor (Typ.)	≥0.5
Efficiency (Typ.)	86%
Current	0.4A max @ 230VAC
Inrush current	30A @ 230VAC
PROTECTION	
Over voltage	Hiccup mode, recovers after fault condition is removed
Over power	Close output, recovers automatically after fault removed
FUNCTION	
Dimming	DALI / Touch Dim
MISC.	
Dimensions	L.137mm W.82mm H.31mm
Gross weight	220g
Working temperature	-20°C ~ 40°C
Relative humidity	20~90% RH

DLD 40W DALI DIMMABLE DRIVER
24V CONSTANT VOLTAGE
DLD40D-1W24V-0

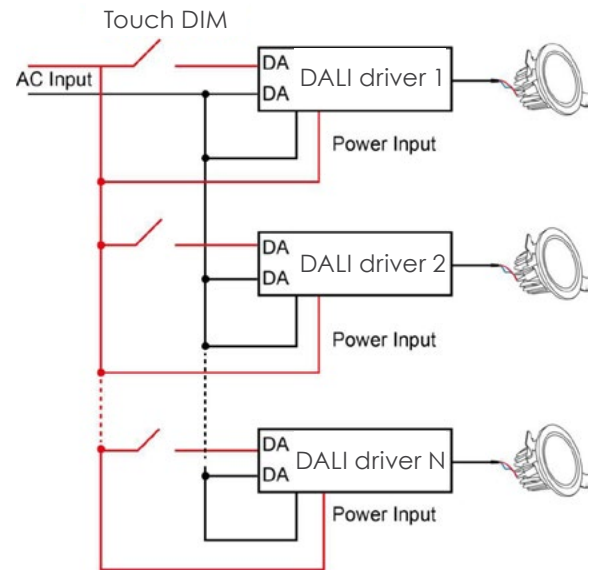


WIRING DIAGRAMS

DALI DIAGRAM



TOUCH DIM DIAGRAM



DLD 40W DALI DIMMABLE DRIVER

24V CONSTANT VOLTAGE

DLD40D-1W24V-0



MISCELLEANEOUS

- The product shall be installed and serviced by a qualified person.
- DALI and Touch DIM functions cannot be used simultaneously, which can be controlled respectively by using DALI controllers or with Touch DIM technology.
- This product is non-waterproof. Please avoid the sun and rain. When installed outdoors please ensure it is mounted in a water proof enclosure.
- Good heat dissipation will prolong the working life of the controller. Please ensure good ventilation.
- Please check if the output voltage and current of any LED power supplies used comply with the requirement of the product.
- Please ensure that adequate sized cable is used from the controller to the LED lights to carry the current, and that the cable is secured tightly in the connector.
- Ensure all wire connections and polarities are correct before applying power to avoid any damages to the LED lights.
- If a fault occurs please return the product to your supplier. Do not attempt to fix this product by yourself.

All the information in this document is provided in good faith. DLD Contract will not be held responsible for any losses due to inaccuracies within this document.

 **01189 889414**

 **enquiries@dld-contract.co.uk**

 **dld-contract.co.uk**

DLD Contract Ltd
Unit 9 Brookside Business Centre
Church Road
Swallowfield
Reading
Berkshire
RG7 1TH