

DLD 200W DALI DIMMABLE DRIVER
24V CONSTANT VOLTAGE
DLD200AD-1H24V-0

DLD
CONTRACT



Dimensions

L.310mm W.60mm H.45mm



OVERVIEW

- Single channel constant voltage 24VDC output
- Efficiency up to 92%
- 220-240VAC voltage input
- Built-in active PFC function
- Smooth dimming effect with no flicker
- Protection: over load / over voltage / short circuit
- IP20
- Supports DALI dimmable / 1-10V active signal / adjustable resistance / PWM / Touch DIM
- Standard DALI protocol IEC62386
- 3 year warranty

DLD 200W DALI DIMMABLE DRIVER

24V CONSTANT VOLTAGE

DLD200AD-1H24V-0



TECHNICAL SPECIFICATIONS

OUTPUT	
Channels	1
Voltage	24VDC
Current	8.3A
Power	200W
Voltage accuracy	±3%
R & N (max.)	400mV p-p
INPUT	
Voltage	220-240VAC
Frequency	50/60Hz
Efficiency	>92% @ 230VAC, full load
Power factor	≥0.95 @ 230VAC, full load
THD	<10% @ 230VAC, full load
Current	1A max @ 230VAC
Inrush current	Cold start, 27A(twidth=650us measured at 50% Ipeak) @230VAC
PROTECTION	
Short circuit	Close the output, restart to recover since fault condition is removed for 10s
Over voltage	Close the output, restart to recover since fault condition is removed for 10s
Over load	Hiccup mode, recovers after fault condition is removed
FUNCTION	
Dimming	DALI / Touch DIM / 1-10V / Adjustable resistance / PWM
MISC.	
Dimensions	L.310mm W.60mm H.45mm
Gross weight	860g
Working temperature	-20°C ~ 50°C

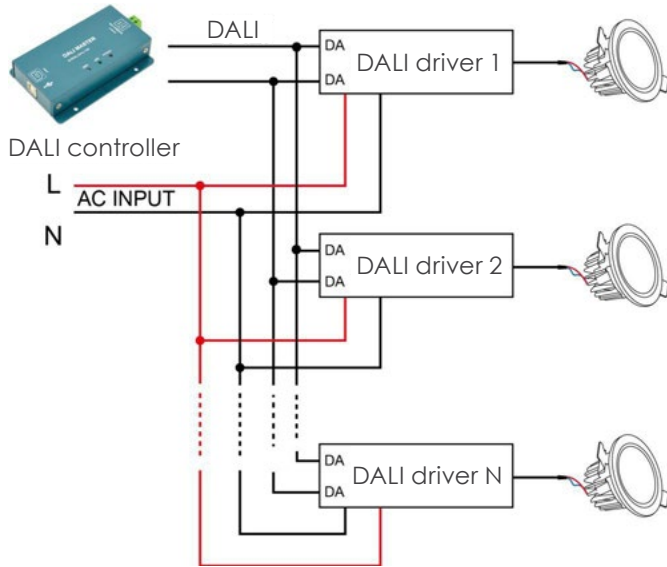
DLD 200W DALI DIMMABLE DRIVER

24V CONSTANT VOLTAGE
DLD200AD-1H24V-0

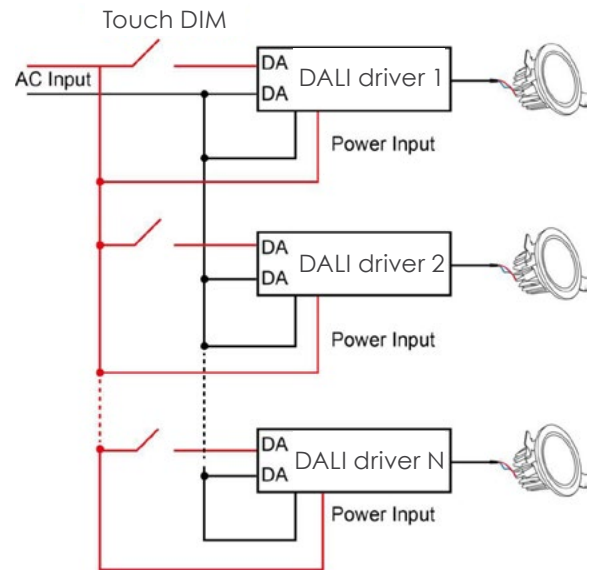


WIRING DIAGRAMS

DALI DIAGRAM



TOUCH DIM DIAGRAM



DLD 200W DALI DIMMABLE DRIVER

24V CONSTANT VOLTAGE

DLD200AD-1H24V-0



MISCELLEANEOUS

- The product shall be installed and serviced by a qualified person.
- DALI and Touch DIM functions cannot be used simultaneously, which can be controlled respectively by using DALI controllers or with Touch DIM technology.
- This product is non-waterproof. Please avoid the sun and rain. When installed outdoors please ensure it is mounted in a water proof enclosure.
- Good heat dissipation will prolong the working life of the controller. Please ensure good ventilation.
- Please check if the output voltage and current of any LED power supplies used comply with the requirement of the product.
- Please ensure that adequate sized cable is used from the controller to the LED lights to carry the current, and that the cable is secured tightly in the connector.
- Ensure all wire connections and polarities are correct before applying power to avoid any damages to the LED lights.
- If a fault occurs please return the product to your supplier. Do not attempt to fix this product by yourself.

All the information in this document is provided in good faith. DLD Contract will not be held responsible for any losses due to inaccuracies within this document.

 **01189 889414**

 **enquiries@dld-contract.co.uk**

 **dld-contract.co.uk**

DLD Contract Ltd
Unit 9 Brookside Business Centre
Church Road
Swallowfield
Reading
Berkshire
RG7 1TH