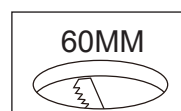
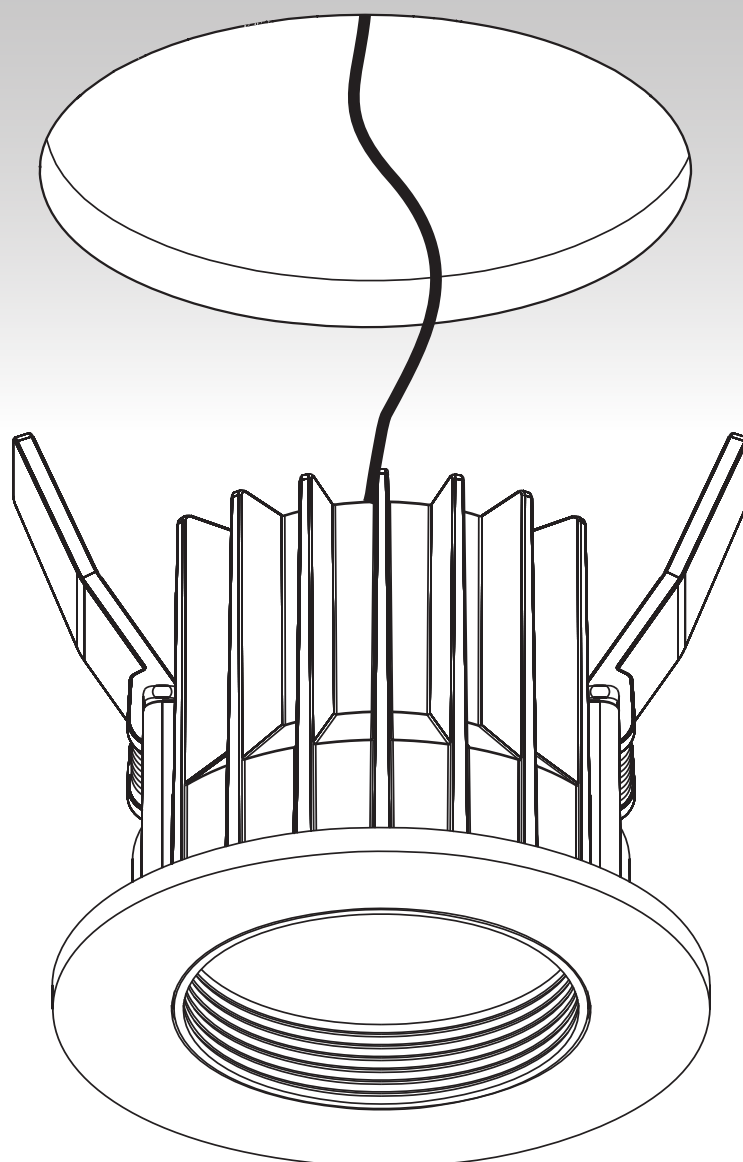


# DARKLIGHT DESIGN

## DARKLIGHT DESIGN EVEREST LED INSTALLATION INSTRUCTIONS



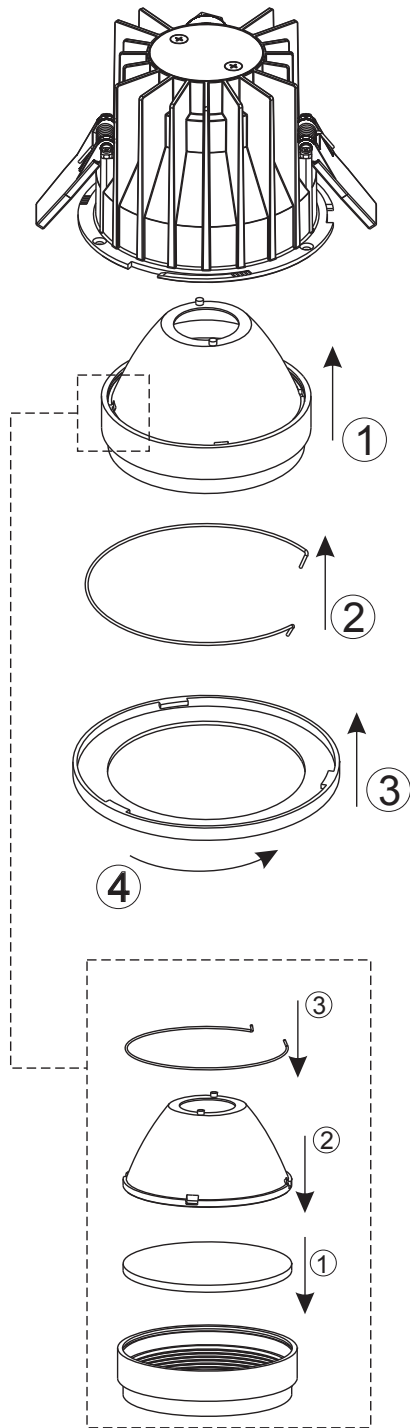
# DARKLIGHT DESIGN

## DARKLIGHT DESIGN EVEREST LED INSTALLATION INSTRUCTIONS

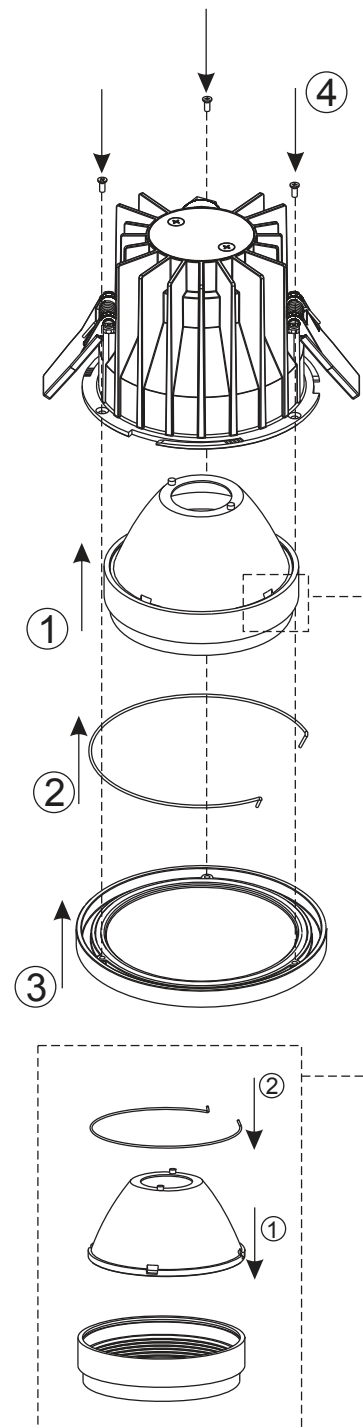
### INSTALLATION INSTRUCTIONS - STEP 1

It is recommended that these products are fitted by a qualified electrician. Ensure that the power supply is turned off. Follow the steps below for installation. Once all steps have been completed, check that all screws are tightened before connecting the power supply.

#### A. IP20 VERSION

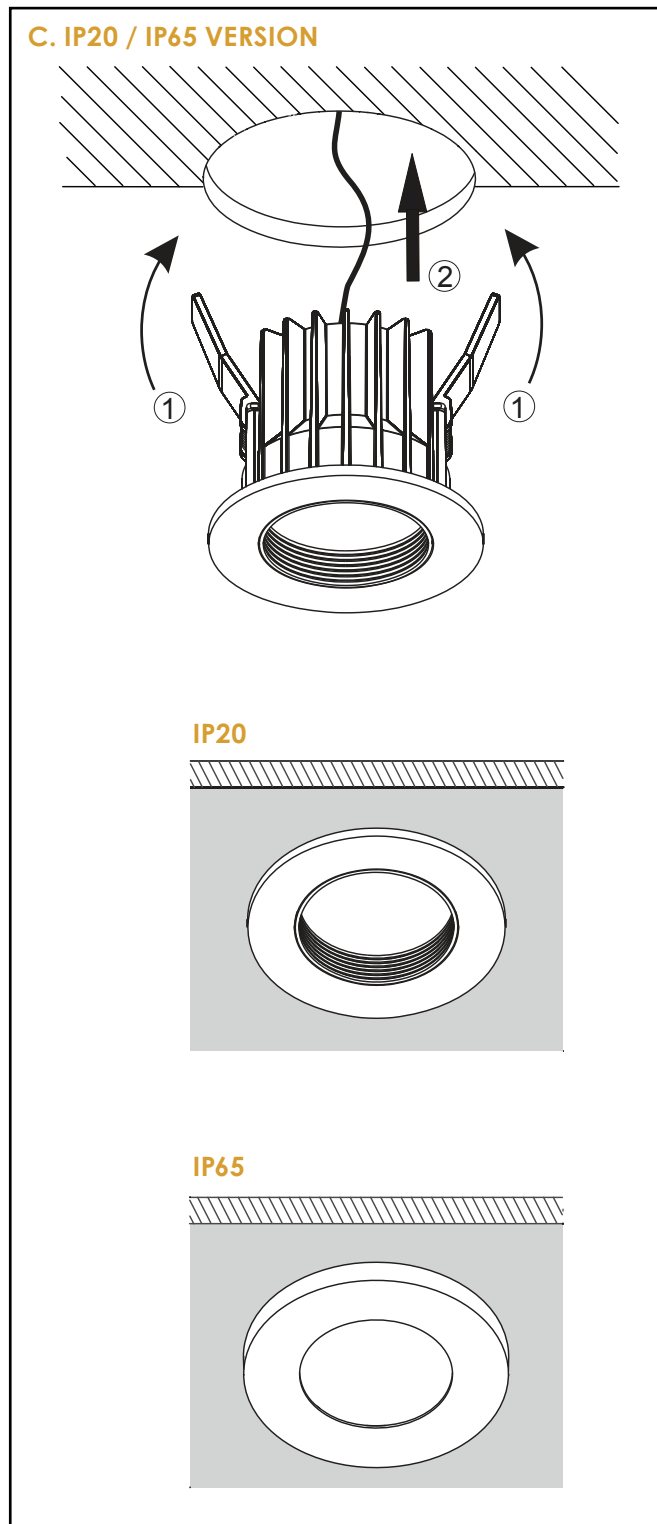


#### 2. IP65 VERSION

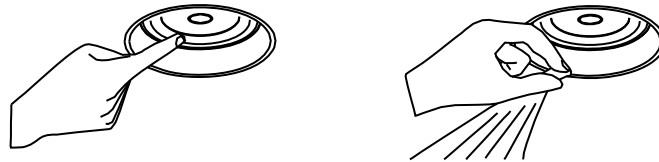
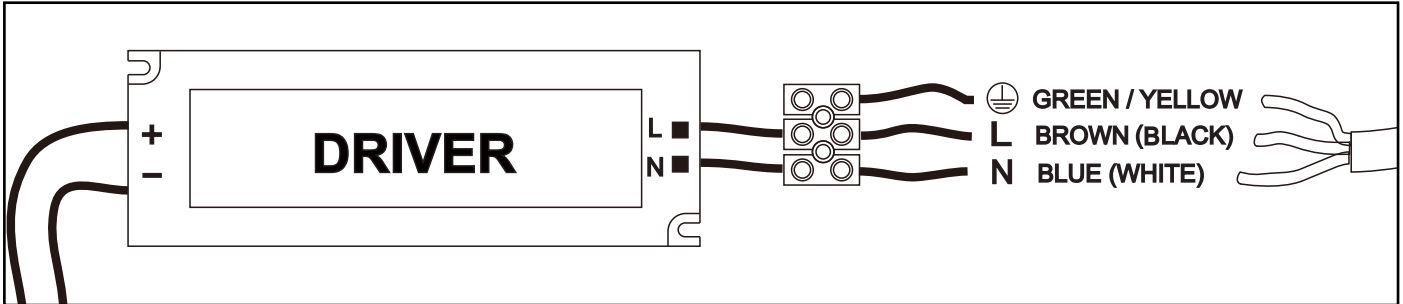


### INSTALLATION INSTRUCTIONS - STEP 2

It is recommended that these products are fitted by a qualified electrician. Ensure that the power supply is turned off. Follow the steps below for installation. Once all steps have been completed, check that all screws are tightened before connecting the power supply.



### WIRING DIAGRAM



Do not clean the LED chip and reflector by hand or with a towel!

### DISCLAIMER

- Only use power supplies which are certified according to the applicable IEC or 3C standards
- Check that the rating of the power supply matches that of the luminaire
- The maximum current rating must be taken into account
- The indicated typical voltage must not be used to select a constant voltage power supply. It is intended to be used to select a constant current power supply that is able to cover that typical voltage
- Take appropriate ESD measures. Avoid touching bare conductors
- LED luminaires or LED drivers should never be cleaned with chemical substances. LEDs can be damaged by contact with certain chemicals or chemical gasses
- The following substances have been proven to have a negative influence on LED performance, and must not be used in the direct environment of the LED luminaire:
  - Methyl acetate or ethyl acetate (i.e., nail polish remover)
  - Formaldehyde or butadiene (including Ashland PLIOBOND adhesive)
  - Loctite Sumo Glue
  - Gorilla Glue
  - Bleach, Bleach-containing cleaners, sprays
  - Loctite 384 adhesive
  - Loctite 7387 activator
- Remove insulation and/or provide sufficient ventilation so that the indicated maximum temperature is not surpassed
- Only connect the driver with the fitting only after the power is off. LEDs are susceptible to switching transients
- Respect polarity
- Don't test LED luminaires one by one on a power supply that is switched on