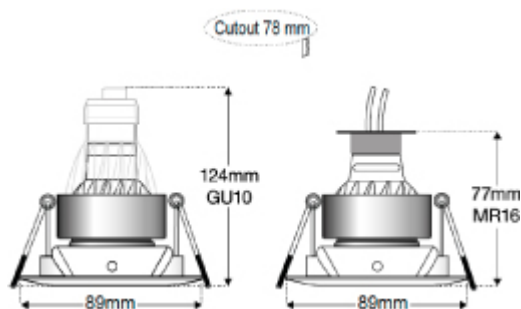


# DARKLIGHT DESIGN

## DARKLIGHT DESIGN STAR 360 240V RECESSED DIRECTIONAL DOWNLIGHT



### PRODUCT OVERVIEW

- IP20 or IP44 versions
- 240V GU10
- Adjustable 30° lamp angle
- Available in white with black baffle, white with white baffle, matt chrome or chrome
- Dimensions: Ø89mm H.124mm
- Circular cutout Ø78mm
- Suitable for retrofit GU10 LED lamp



# DARKLIGHT DESIGN

## DARKLIGHT DESIGN STAR 360 240V RECESSED DIRECTIONAL DOWNLIGHT

### ADDITIONAL INFORMATION

#### Hole cut out

Please do not cut holes until you have the physical light to hand, this will avoid any manufacturing discrepancies.

#### Wiring

Disconnect the mains supply before installation. Ensure that the unit is installed and maintained by a certified professional and that installations conform to any local building control standard applicable.

#### Installation

Connect the mains supply to GU10 lampholder or the transformer depending on what version you have and 12v supply to the terminal block (mr16 12v version only) provided. Insert the lamp with inner ring and connect to lampholder. Attach the springs to hold the lampholder secure with the fitting. Insert inner ring to outer ring which will then be held in magnetically. You can tilt and direct the light to suit your requirements.

#### Lamp replacement

Please disconnect mains supply before replacing any lamps. Release the centre section of the light from the main body of the fixture, detach the lamp from the lampholder carefully and insert the replacement lamp. Replace the inner ring carefully to the main body of the fixture.

#### Firehoods

Darklight Design recommend the use of fireboxes or firehoods to adhere to current UK building regulations. Please ensure that insulation is at least 100mm from the outside edge of the light and do not cover the firehoods with the insulation. Darklight Design will not be held responsible for any loss incurred be it direct or consequential.

Downlighters can become hot while in operation, please ensure that they do not come into contact with any flammable materials.



All the information in this document is provided in good faith. Darklight Design will not be held responsible for any losses due to inaccuracies within this document.