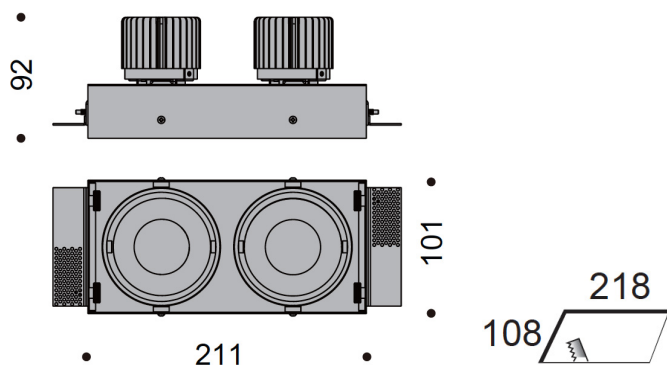


DARKLIGHT DESIGN

DARKLIGHT DESIGN FUJI DOUBLE LED ADJUSTABLE PLASTER IN DOWNLIGHT



Dimensions
211 x 101mm, H.92mm

Cutout
218 x 108mm



SUMMARY

- Removable light engine - simple twist mechanism
- IP20
- 2x 13W, 350mA
- Adjustable by 30° tilt
- Complete with phase dimming driver
- Die-cast aluminium luminaire
- Forged aluminium heat sink
- Plastic PC reflector
- In white and black
- Multiple light engines available



DARKLIGHT DESIGN

DARKLIGHT DESIGN FUJI DOUBLE LED ADJUSTABLE PLASTER IN DOWNLIGHT

TECHNICAL OVERVIEW

Power	Current	Voltage	LED	IP Rating	Lumen	CCT	Beam Angle	CRI	Dimming
2x 13W	350mA	36.7V	2x CITIZEN COB	IP20	2x 1456lm	2700°K	20°/40°	80+	Yes
2x 13W	350mA	36.7V	2x CITIZEN COB	IP20	2x 1524lm	3000°K	20°/40°	80+	Yes
2x 13W	350mA	36.7V	2x CITIZEN COB	IP20	2x 1576lm	4000°K	20°/40°	80+	Yes

LIGHT ENGINES



Low anti-glare
(SF)



Deep anti-glare
(SS)



High efficiency
(SH)



Focus
(SH-E)



Honeycomb louvre
(SH-H)