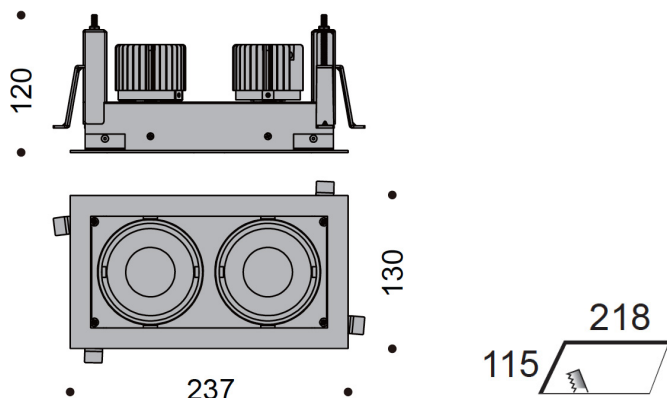


# DARKLIGHT DESIGN

## DARKLIGHT DESIGN FUJI DOUBLE LED ADJUSTABLE RECESSED DOWNLIGHT



**Dimensions**  
237 x 130mm, H.120mm

**Cutout**  
218 x 115mm



### SUMMARY

- Removable light engine - simple twist mechanism
- IP20
- 2x 13W, 350mA
- Adjustable by 30° tilt
- Complete with phase dimming driver
- Die-cast aluminium luminaire
- Forged aluminium heat sink
- Plastic PC reflector
- In white and black
- Multiple light engines available



# DARKLIGHT DESIGN

## DARKLIGHT DESIGN FUJI DOUBLE LED ADJUSTABLE RECESSED DOWNLIGHT

### TECHNICAL OVERVIEW

Power	Current	Voltage	LED	IP Rating	Lumen	CCT	Beam Angle	CRI	Dimming
2x 13W	350mA	36.7V	2x CITIZEN COB	IP20	2x 1456lm	2700°K	20°/40°	80+	Yes
2x 13W	350mA	36.7V	2x CITIZEN COB	IP20	2x 1524lm	3000°K	20°/40°	80+	Yes
2x 13W	350mA	36.7V	2x CITIZEN COB	IP20	2x 1576lm	4000°K	20°/40°	80+	Yes

### LIGHT ENGINES



Low anti-glare  
(SF)



Deep anti-glare  
(SS)



High efficiency  
(SH)



Focus  
(SH-E)



Honeycomb louvre  
(SH-H)