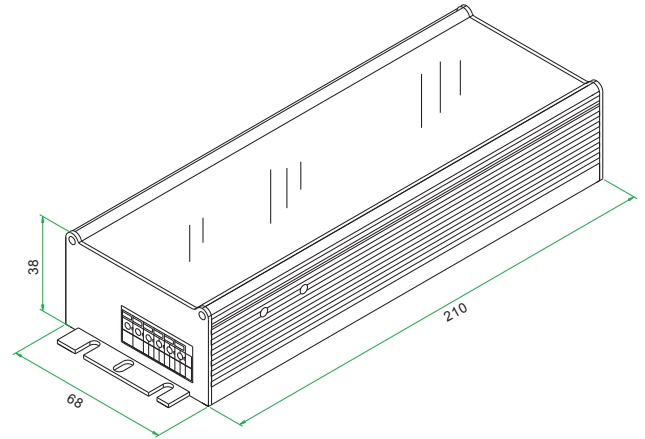


DARKLIGHT DESIGN

DARKLIGHT DESIGN

100W CONSTANT VOLTAGE 24V LED

NON-DIMMABLE DRIVER



PRODUCT OVERVIEW

- Selectable constant voltage output
- Fully-isolated, delivering up to 100W of power
- Short circuit, over current and over voltage protection
- Built-in PFC function (PFC>0.95)
- Cooling by free air convection
- Up to 80% efficient
- Fireproof environmental protection PC plastic cover
- 2 years quality warranty

All the information in this document is provided in good faith. Darklight Design will not be held responsible for any losses due to inaccuracies within this document.

DARKLIGHT DESIGN

DARKLIGHT DESIGN

100W CONSTANT VOLTAGE 24V LED

NON-DIMMABLE DRIVER

TECHNICAL SPECIFICATIONS

Input Voltage Range	90-130V & 180-240V/AC		
AC Frequency	48-62Hz		
Input current	1.5Amax		
Output Mode	Constant Voltage		
Output Current	7000mA	4200mA	2100mA
On Load Voltage	±2V	24V	48V
No Load Voltage	±2V	24V	48V
Output Power	100W Max.		
Power Factor	>0.95		
Efficiency	>80%		
Dimensions	W:210 x D:68 x H:38(mm)		
Weight	550g		

All the information in this document is provided in good faith. Darklight Design will not be held responsible for any losses due to inaccuracies within this document.

DARKLIGHT DESIGN

DARKLIGHT DESIGN

100W CONSTANT VOLTAGE 24V LED

NON-DIMMABLE DRIVER

ENVIRONMENTAL SPECIFICATIONS

Operating Temperature	-30~45°C
Storage Temperature	-40~+70°C
Thermal Dissipation	Nature
Relative Humidity	5~95%
Isolation Voltage	In/Out 3000VAC
Vibration	5-55Hz/2g, 30 Minutes
Life Time	50000 Hours, at TC max

CONFORMITY & STANDARDS

EMI	EN55022 EN55015 Class B
Safety	EN60598
Electromagnetic Immunity	EN61547, ENV5024 EN61000-4-2/3/4/6/8/11
Harmonic Current Emissions	EN61000-3-2 EN61000-3-3

All the information in this document is provided in good faith. Darklight Design will not be held responsible for any losses due to inaccuracies within this document.

DARKLIGHT DESIGN

DARKLIGHT DESIGN
100W CONSTANT VOLTAGE 24V LED
NON-DIMMABLE DRIVER

BASIC INSTALLATION OVERVIEW



All the information in this document is provided in good faith. Darklight Design will not be held responsible for any losses due to inaccuracies within this document.