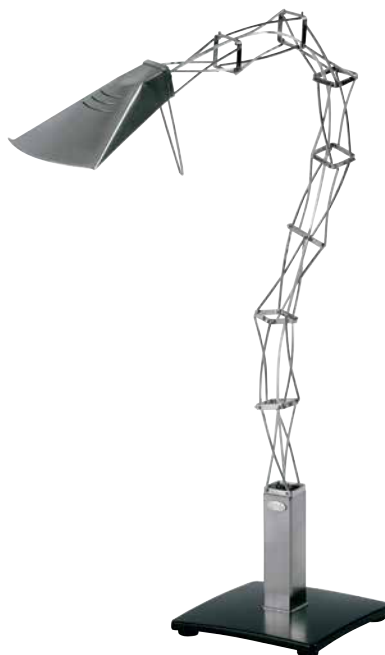
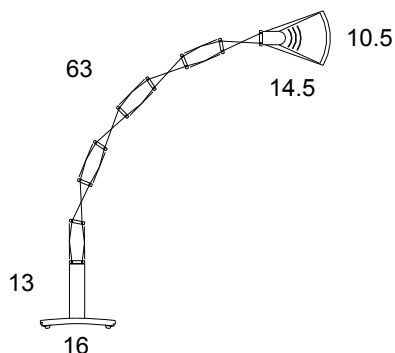


Multi X Light

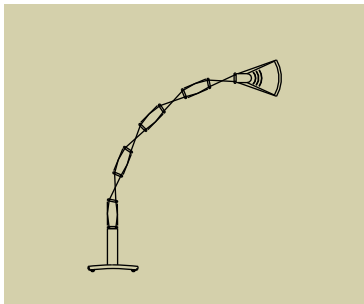
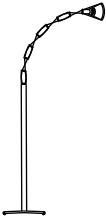
Yaacov Kaufman, 2004

Table lamp made of metal: the upper body itself, composed by a stainless steel structure, is totally adjustable. The switch is on the body.



| | | |
|------------------------|-----------------------------------|---|
| TECHNICAL DATAS | Product Name (code) | Multi X Light (25) |
| | Certificates | CE |
| | Norms | EN 60-598-1 (CEI 34-21) |
| | Light sources | MAX 60W HAL - G9 (48W energy saver included - only for 230V) |
| | Available | 230V (Europe) - 120V (USA - Japan) - 240V (UK) <i>(fittings come with appropriate plug)</i> |
| | Insulation Class | II |
| | Protection Class | IP20 |
| Packaging | 0,026m³ - 2,7Kg | |

| | | |
|----------------|---|--|
| COLOURS |  |  |
| | Black Soft-touch | Brushed Nickel |

| | | |
|---------------|---|--|
| FAMILY |  |  |
| | Multi X | Multi X Terra |