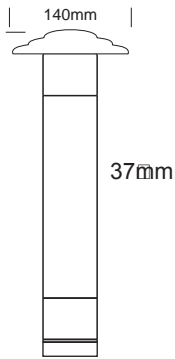
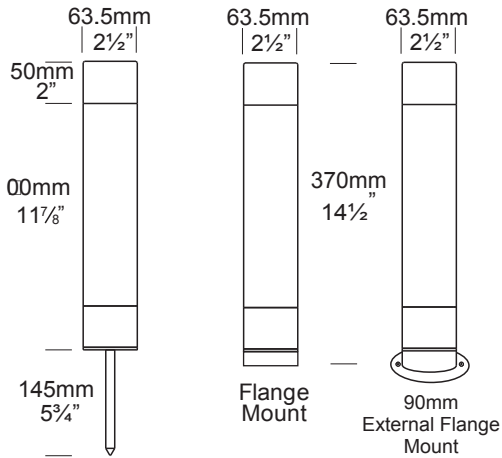


Bollard 300 PURE LED

Cat. NO BOL300/L



PURE LED
Pure Performance

The Bollard 300 Pure LED is ideal for garden edges. The acrylic lens reflects light at two angles through an anti-glare mesh directly onto the ground and horizontally to illuminate the surrounding landscape.

Constructed to tubular aluminum with a UV stable powder coated or machined from solid copper or 316 stainless steel.

The Hunza PURE LED system uses Cree MTG-2 chips for maximum performance and long life. Power supply options to include a choice of 12 volt integral or a remote (series connection) driver. The PURE LED system incorporates HUNZA's Plug-and-Play system for easy replacement of either the LED engine or integral driver in the field. A choice of warm or Cool white colour temperature are available.

- * At 700mA this fitting is the equivalent of a 35w halogen fitting.
- * At 1050mA this fitting is the equivalent of a 50w halogen fitting.

Ordering Information

Luminaire	Driver mA	Colour Temp	Accessories	Material/Finish
BOL300/L	S - Series Wiring D3 - 12v/350mA D7 - 12v/700mA D10 - 12v/1050mA	2 - 2700K 3 - 3000K 4 - 4000K 39 - 3000k (90+ CRI)	BOLOP - Opaque Lens <input type="checkbox"/> CJK150 - Cable Joint Kit <input type="checkbox"/> FM - Flange Mount <input type="checkbox"/> FM90 - External 90mm JODUHW JODUHERRG	BK - Black BZ - Bronze GN - Green STAR - Silver Star WH - White WB - Birch DG - Dark Grey OG - Olive Green RG - Beige PR - Primrose COP - Copper SS - 316 Stainless

Ordering Example: BOL300/L D10 3 BOLOP BK

HUNZA™ PURE OUTDOOR LIGHTING

HUNZA FACTORY
130 Felton Mathew Ave
Saint Johns
Auckland 1072
New Zealand

Ph: 64-9-528 9471
Fax: 64-9-528 9361
hunza@hunza.co.nz
www.hunza.co.nz

INTERNATIONAL CONTACTS:
www.hunza.co.nz/contacts.php

Specifications may change without notice.
Manufactured in New Zealand.
© 2014 Hunza Holdings Ltd.

Luminaire Construction

CNC machined from one of the following metals:

High corrosion resistant 63.5mm (2½") x 10mm (25/64") aluminium. End cap - solid aluminium 63.5 (2½") rod, pole - 63.5mm (2½") x 3.25mm (1/8") x 240mm (9½") chromate substrate and high UV resistant polyester powder coat. **Colours** Black, Bronze, Green, Silver Star, White, Birch, Dark Grey, Olive Green, Beige, Primrose.

Copper 63.5mm (2½") x 10mm (13/32"). End cap - Solid copper 63.5mm (2½") rod pole - 63.5mm (2½") x 3.25mm (1/8") x 240mm (9½")

316 Stainless steel 63.5mm (2½") x 9mm (11/32"). End cap - solid 316 stainless steel 63.5mm (2½") rod pole - 63.5mm x 3.25mm (1/8") x 240mm (9½").

Luminaire Weight

Alum .870kg (1lb 14oz)
Cop 2.290kg (5lb)
SS 2.170 kg (4lb 12 oz)

Features

Lens

UV Stable polycarbonate lens with anti-glare mesh and dual angle reflector projects light horizontally and at 45° onto the ground.

Gaskets

Silicone, iron impregnated 220°C (428°F)

Accessories

Cable Joint Kit (Cat. CJK150)
Opaque Lens (Cat.LENSBOLOP)
Flange Mount (Cat. FM)
External 90mm Flange Mount (Cat. FM90)

Mounting

Set in concret in the ground or specify with flange mount option, which bolts to concrete, tiling or wooden decks.

Technical Information

Standards

AS/NZS 61046
IP56/IP66 UL 1838

LED

Cree MTG-2 Plug and Play, field replaceable LED board.

Lumen Output: 510 at 1050mA

Lumens Per watt: 85 minimum

CRI Warm White (3000k): 85+

Colour Temp: 2,700, 3,000 or 4,000K

Power Supply

Series (Remote) Driver

Constant current driver LED requirements

Output: 6vdc at 1050mA maximum

Integral 12 Volt Driver

Hunza™ Plug and Play Driver

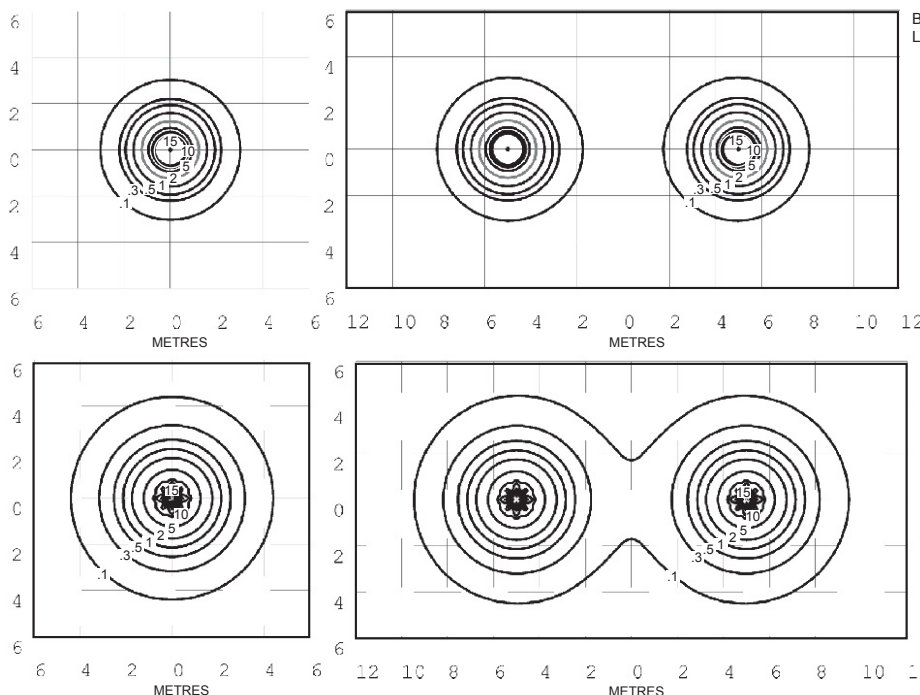
Input: 12vac, 14 watt total

Output: 350 / 700 / 1000mA

(1050mA limited ≤ 40° Ambient temperature in Stainless Steel)

Transformer

Hunza™ Wall Mount Transformer for use with integral 12 volt driver



Bollard 300 Driven at 700mA
Lens height 300mm (12")

Bollard 300 Driven at 1050mA
Lens height 300mm (12")

Isolux Lumens Plot -
Footcandles =
Isolux figures divided by 10.76

HUNZA™ PURE
OUTDOOR
LIGHTING

HUNZA FACTORY
130 Felton Mathew Ave
Saint Johns
Auckland 1072
New Zealand

Ph: 64-9-528 9471
Fax: 64-9-528 9361
hunza@hunza.co.nz
www.hunza.co.nz

INTERNATIONAL CONTACTS:
www.hunza.co.nz/contacts.php

Specifications may change without notice.
Manufactured in New Zealand.
© 2014 Hunza Holdings Ltd.