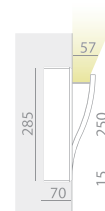
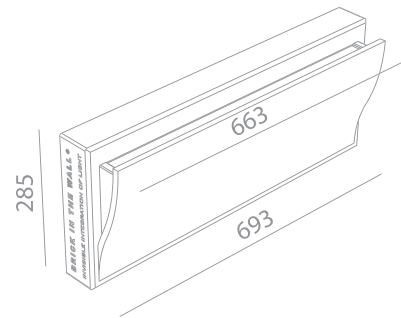


TECHNICAL DATA SHEET



WAVE FLUO

REF N° 316 15 021 on/off
 REF N° 316 18 021 DIM 1-10V
 REF N° 316 30 021 DIM DALI

1x T16 - 14/24W
 G5 - 230V/50Hz - \triangle - incl. EVG
 ∇ - \downarrow0.5m - E - CE - IP20 - 850°C
 P - eco

WAVE LED 2000 LM

REF N° 316 24 000 on/off 2700°K
 REF N° 316 24 100 on/off 3000°K
 REF N° 316 64 000 DIM 1-10V 2700°K
 REF N° 316 64 100 DIM 1-10V 3000°K
 REF N° 316 34 000 DIM DALI 2700°K
 REF N° 316 34 100 DIM DALI 3000°K

230V/50Hz - 19W - 2000lm@65°C -
 2200lm@25°C - E - CE - IP20 - CRI 80
 parallel wiring ∇ - \downarrow0.2m - 850°C P \square
 Integrated line voltage LED driver
 Connects directly to 230 VAC
 4 SDCM - 4 Step MacAdam

Ready for installation in solid walls
 Optional plasterkit for installation into gypsum walls

PLASTERKIT WAVE

REF N° 716 01 000 For mounting into gypsum walls
 \square 290x698 mm.

