

TECHNICAL DATA SHEET

BIG LED 1200LM 230VAC

REF N° 104 72 000 phase DIM 2700°K
 REF N° 104 72 100 phase DIM 3000°K
 REF N° 104 62 000 DIM 1-10V 2700°K
 REF N° 104 62 100 DIM 1-10V 3000°K
 REF N° 104 32 000 DIM DALI 2700°K
 REF N° 104 32 100 DIM DALI 3000°K

230V/50Hz - 14W - incl. line voltage driver
 1100lm@85°C - 1300lm@25°C - \diamond - IP20
 parallel wiring ∇ \square 0.2m \blacksquare CE - 850°C P
 Colour Rendering Index CRI 90 - R9=75
 2 SDCM - 2 Step MacAdam

BIG LED 1500LM 230VAC

REF N° 104 73 000 phase DIM 2700°K
 REF N° 104 73 100 phase DIM 3000°K
 REF N° 104 63 000 DIM 1-10V 2700°K
 REF N° 104 63 100 DIM 1-10V 3000°K
 REF N° 104 33 000 DIM DALI 2700°K
 REF N° 104 33 100 DIM DALI 3000°K

230V/50Hz - 16W - incl. line voltage driver
 1400lm@85°C - 1600lm@25°C - \diamond - IP20
 parallel wiring ∇ \square 0.2m \blacksquare CE - 850°C P
 Colour Rendering Index CRI 90 - R9=75
 2 SDCM - 2 Step MacAdam

BIG LED IP54

REF N° 104 21 001 on/off BATHROOM 2700°K
 REF N° 104 21 101 on/off BATHROOM 3000°K
 REF N° 104 21 201 on/off BATHROOM 4000°K
 REF N° 104 21 005 on/off OUTDOOR 2700°K
 REF N° 104 21 105 on/off OUTDOOR 3000°K
 REF N° 104 21 205 on/off OUTDOOR 4000°K

230V/50Hz - 10,5W - incl. line voltage driver
 720lm@75°C - 800lm@25°C - \diamond - IP54
 parallel wiring ∇ \square 0.2m \blacksquare CE - 850°C P
 CRI 80 - 2 SDCM - 2 Step MacAdam
 Outdoor: Waterproof Calcyt+®

BIG HAL

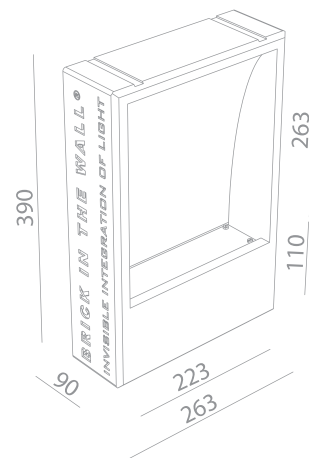
REF N° 104 01 100

QT-DE - max 100W
 R7s (74.5mm) - 230V/50Hz - \diamond
 ∇ - \square 0.5m \blacksquare - CE IP20 - 850°C
 dimmable - P

BIG FLUO

REF N° 104 01 026

TC-DEL 26W
 G24q-3 - 230V/50Hz - \diamond - incl. EVG
 ∇ - \square 0.5m \blacksquare - CE IP20 - 850°C
 P - eco



Ready for installation in solid walls
 Optional plasterkit for installation into gypsum walls

PLASTERKIT BIG

REF N° 704 01 000 For mounting into gypsum walls
 P 268x395 mm. Housing: perforated aluminium

