

# TECHNICAL DATA SHEET

## MINI SQUARE LED DIM 100 LM

REF N° 150 60 500 CRI 80 warm white 2200°K  
 REF N° 150 60 000 CRI 90 warm white 2700°K  
 REF N° 150 60 100 CRI 90 warm white 3000°K  
 REF N° 150 60 300 royal blue

◊ - 1W - excl. LED driver - current controlled 350 mA - ▽ - Ⓢ - Ⓡ - Ⓡ  
 CE - IP40 - Ⓢ - eco - serial wiring  
 3 SDCM - 3 Step MacAdam  
 Requires remote LED driver  
 current controlled 350 mA

## MINI SQUARE LED DIM 400 LM

REF N° 150 61 000 CRI 80 warm white 2700°K  
 REF N° 150 61 100 CRI 80 warm white 3000°K  
 REF N° 150 61 200 CRI 80 neutral white 4000°K

◊ - 4W - excl. LED driver - current controlled 350 mA - ▽ - Ⓢ - Ⓡ - Ⓡ  
 CE - IP40 - Ⓢ - eco - serial wiring  
 2 SDCM - 2 Step MacAdam  
 Requires remote LED driver  
 current controlled 350 mA

## REMOTE LED DRIVER ON/OFF

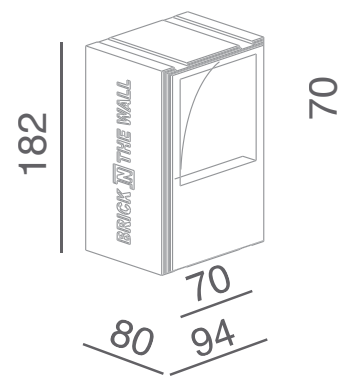
REF N° 697 00 006 8W  
 REF N° 697 00 015 15W  
 REF N° 697 00 025 25W

230V/50Hz - Ⓢ - current controlled  
 ▽ - CE - IP20 - 350mA - not dimmable

## REMOTE LED DRIVER DIM

REF N° 697 60 006 6W 1-10V  
 REF N° 697 60 015 15W 1-10V  
 REF N° 697 30 015 15W DALI  
 REF N° 697 60 025 25W 1-10V DALI PUSH  
 REF N° 697 60 040 40W 1-10V DALI PUSH  
 REF N° 697 70 009 9W PHASE DIM (tr. edge)  
 REF N° 697 70 017 17W PHASE DIM

230V/50Hz - Ⓢ - current controlled  
 ▽ - CE - IP20 - 350mA - dimmable



Ready for installation in solid walls  
 Optional plasterkit for installation into gypsum walls

### PLASTERKIT MINI SQUARE

REF N° 750 01 000 For mounting into gypsum walls

📏 102x190 mm. Housing: perforated aluminium